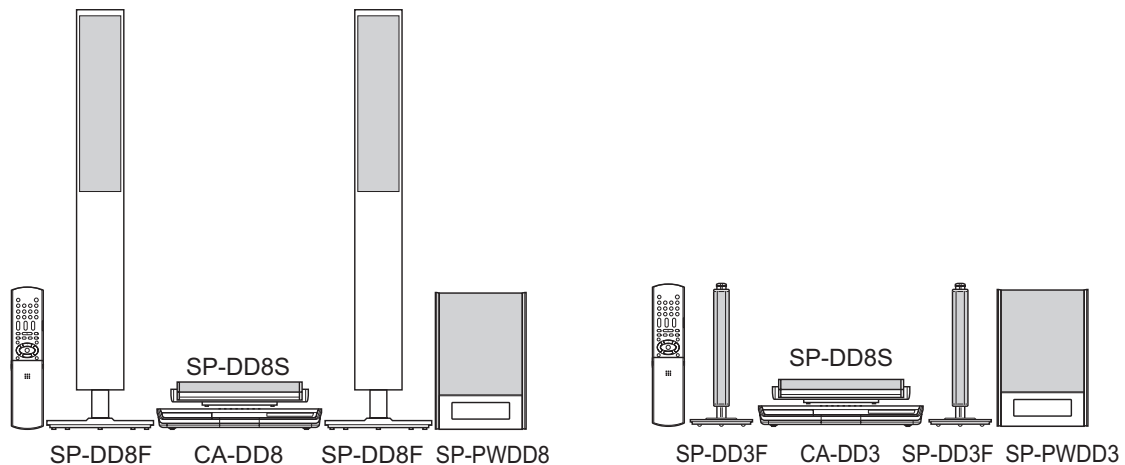


JVC

SERVICE MANUAL

NETWORK MEDIA SYSTEM

DD-8B, DD-8E, DD-8EN, DD-8EV, DD-8EE, DD-3B, DD-3E, DD-3EN, DD-3EV, DD-3EE



Digital Direct Progressive Scan *Radio Data System*



Lead free solder used in the board (material : Sn-Ag-Cu, melting point : 219 Centigrade)

TABLE OF CONTENTS

1	PRECAUTION.....	1-4
2	SPECIFIC SERVICE INSTRUCTIONS.....	1-8
3	DISASSEMBLY	1-9
4	ADJUSTMENT	1-32
5	TROUBLESHOOTING	1-35

SPECIFICATION

Main unit (CA-DD8/CA-DD3)

Tuner	FM frequency : 87.50 MHz - 108.00 MHz
	AM frequency : 522 kHz - 1 629 kHz
Terminal (front of the main unit)	Audio output headphone terminal × 1 Impedance : 16 Ω to 1 kΩ
	USB digital input terminal × 1
	Analog input terminal × 1 Stereo mini jack
	Analog output terminal × 1 Stereo mini jack
Terminal (rear of the main unit)	Optical digital input terminal × 1 -23 dBm to -15 dBm
	Optical digital output terminal × 1 -23 dBm to -15 dBm
	System terminal × 1
	Component video output terminals (3) × 1 Y : 1.0 Vp-p, sync negative, 75 Ω terminated PB : 0.7 Vp-p, 75 Ω terminated PR : 0.7 Vp-p, 75 Ω terminated
	Audio input terminals (2) × 1 500 mV/47 kΩ
	SCART terminal × 1
	AM antenna terminal × 1
	FM antenna terminal × 1
	Ethernet terminal
	HDMI monitor output terminal
USB	Compatible with USB 2.0 Full-Speed
	Compatible device : Mass storage class device
	Compatible file system : FAT16, FAT32
	Bus power supply : Max. 500 mA
General	Power source : AC 230 V , 50 Hz
	Power consumption (in operation) : 25 W
	Power consumption (on standby) : 0.5 W
	Dimensions (W × H × D) : 445 mm × 55 mm × 286.4 mm (including projecting parts)
	Weight : 3.5 kg (CA-DD8), 3.0 kg (CA-DD3)

Subwoofer for DD-8 (SP-PWDD8)

Type	Bass reflex type, Magnetically shielded type
Amplifier	Subwoofer : 120 W at 4 Ω (110 Hz, THD 10%)
	Left/right speaker : 25 W × 2 at 3 Ω (1 kHz, THD 10%)
	Center surround speaker : 25 W × 2 at 3 Ω (1 kHz, THD 10%)
Speaker	16 cm cone
	Power handling capacity : 120 W
	Impedance : 4 Ω
	Frequency range : 30 Hz - 230 Hz
	Sound pressure level : 72 dB/W·m
General	Power source : AC 230 V , 50 Hz
	Power consumption : 120 W
	Dimensions (W × H × D) : 242 mm × 364 mm × 363 mm
	Weight : 12.6 kg

Subwoofer for DD-3 (SP-PWDD3)

Type	Bass reflex type
Amplifier	Subwoofer : 120 W at 4 Ω (110 Hz, THD 10%)
	Left/right speaker : 25 W \times 2 at 3 Ω (1 kHz, THD 10%)
	Center surround speaker : 25 W \times 2 at 3 Ω (1 kHz, THD 10%)
Speaker	16 cm cone
	Power handling capacity : 120 W
	Impedance : 4 Ω
	Frequency range : 30 Hz - 230 Hz
	Sound pressure level : 72 dB/W·m
General	Power source : AC 230 V , 50 Hz
	Power consumption : 120 W
	Dimensions (W \times H \times D) : 242 mm \times 364 mm \times 363 mm
	Weight : 12.3 kg

Left and right speakers for DD-8 (SP-DD8F)

Type	2-way 3-speaker bass reflex type, Magnetically shielded type
Speaker	8 cm cone \times 2 + 2 cm dome
Power handling capacity	30 W
Impedance	3 Ω
Frequency range	60 Hz - 40 kHz
Sound pressure level	81 dB/W·m
Dimensions (W \times H \times D)	289 mm \times 1 101 mm \times 289 mm
Weight (1 unit)	10.0 kg

Left and right speakers for DD-3 (SP-DD3F)

Type	2-way acoustic suspension type, Magnetically shielded type
Speaker	9.5 cm \times 1 cm direct drive + 2 cm dome
Power handling capacity	30 W
Impedance	3 Ω
Frequency range	100 Hz - 40 kHz
Sound pressure level	78 dB/W·m
Dimensions (W \times H \times D)	165 mm \times 376 mm \times 165 mm (including stand)
Weight (1 unit)	1.0 kg (including stand)

Center surround speaker for DD-8/DD-3 (SP-DD8S)

Type	1-way acoustic suspension type, Magnetically shielded type
Speaker	9.5 cm \times 1 cm direct-drive
Power handling capacity	30 W
Impedance	3 Ω
Frequency range	120 Hz - 40 kHz
Sound pressure level	79 dB/W·m
Dimensions (W \times H \times D)	344 mm \times 61 mm \times 76 mm (including stand)
Weight	0.95 kg (including stand)

Designs and specifications are subject to change without notice.

SECTION 1 PRECAUTION

1.1 Safety Precautions

- (1) This design of this product contains special hardware and many circuits and components specially for safety purposes. For continued protection, no changes should be made to the original design unless authorized in writing by the manufacturer. Replacement parts must be identical to those used in the original circuits. Services should be performed by qualified personnel only.
- (2) Alterations of the design or circuitry of the product should not be made. Any design alterations of the product should not be made. Any design alterations or additions will void the manufacturer's warranty and will further relieve the manufacturer of responsibility for personal injury or property damage resulting therefrom.
- (3) Many electrical and mechanical parts in the products have special safety-related characteristics. These characteristics are often not evident from visual inspection nor can the protection afforded by them necessarily be obtained by using replacement components rated for higher voltage, wattage, etc. Replacement parts which have these special safety characteristics are identified in the Parts List of Service Manual. Electrical components having such features are identified by shading on the schematics and by (Δ) on the Parts List in the Service Manual. The use of a substitute replacement which does not have the same safety characteristics as the recommended replacement parts shown in the Parts List of Service Manual may create shock, fire, or other hazards.
- (4) The leads in the products are routed and dressed with ties, clamps, tubings, barriers and the like to be separated from live parts, high temperature parts, moving parts and/or sharp edges for the prevention of electric shock and fire hazard. When service is required, the original lead routing and dress should be observed, and it should be confirmed that they have been returned to normal, after reassembling.

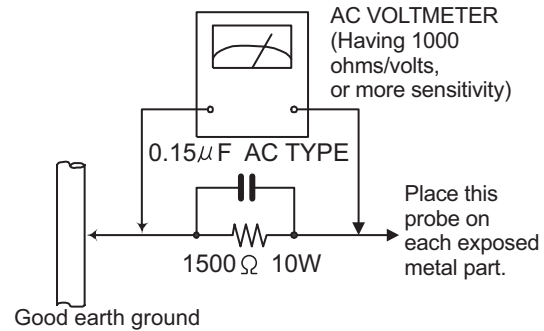
(5) Leakage shock hazard testing

After reassembling the product, always perform an isolation check on the exposed metal parts of the product (antenna terminals, knobs, metal cabinet, screw heads, headphone jack, control shafts, etc.) to be sure the product is safe to operate without danger of electrical shock. Do not use a line isolation transformer during this check.

- Plug the AC line cord directly into the AC outlet. Using a "Leakage Current Tester", measure the leakage current from each exposed metal part of the cabinet, particularly any exposed metal part having a return path to the chassis, to a known good earth ground. Any leakage current must not exceed 0.5mA AC (r.m.s.).
- Alternate check method
Plug the AC line cord directly into the AC outlet. Use an AC voltmeter having, 1,000 Ω per volt or more sensitivity in the following manner. Connect a 1,500 Ω 10W resistor paralleled by a 0.15 μ F AC-type capacitor between an exposed metal part and a known good earth ground. Measure the AC voltage across the resistor with the AC

voltmeter.

Move the resistor connection to each exposed metal part, particularly any exposed metal part having a return path to the chassis, and measure the AC voltage across the resistor. Now, reverse the plug in the AC outlet and repeat each measurement. Voltage measured any must not exceed 0.75 V AC (r.m.s.). This corresponds to 0.5 mA AC (r.m.s.).



1.2 Warning

- (1) This equipment has been designed and manufactured to meet international safety standards.
- (2) It is the legal responsibility of the repairer to ensure that these safety standards are maintained.
- (3) Repairs must be made in accordance with the relevant safety standards.
- (4) It is essential that safety critical components are replaced by approved parts.
- (5) If mains voltage selector is provided, check setting for local voltage.

1.3 Caution


Burrs formed during molding may be left over on some parts of the chassis.

Therefore, pay attention to such burrs in the case of pre-forming repair of this system.

1.4 Critical parts for safety

In regard with component parts appearing on the silk-screen printed side (parts side) of the PWB diagrams, the parts that are printed over with black such as the resistor (■), diode (■) and ICP (●) or identified by the " Δ " mark nearby are critical for safety. When replacing them, be sure to use the parts of the same type and rating as specified by the manufacturer. (This regulation does not Except the J and C version)

1.5 Safety Precautions (U.K only)

- (1) This design of this product contains special hardware and many circuits and components specially for safety purposes. For continued protection, no changes should be made to the original design unless authorized in writing by the manufacturer. Replacement parts must be identical to those used in the original circuits.
- (2) Any unauthorised design alterations or additions will void the manufacturer's guarantee; furthermore the manufacturer cannot accept responsibility for personal injury or property damage resulting therefrom.
- (3) Essential safety critical components are identified by () on the Parts List and by shading on the schematics, and must never be replaced by parts other than those listed in the manual. Please note however that many electrical and mechanical parts in the product have special safety related characteristics. These characteristics are often not evident from visual inspection. Parts other than specified by the manufacturer may not have the same safety characteristics as the recommended replacement parts shown in the Parts List of the Service Manual and may create shock, fire, or other hazards.
- (4) The leads in the products are routed and dressed with ties, clamps, tubings, barriers and the like to be separated from live parts, high temperature parts, moving parts and/or sharp edges for the prevention of electric shock and fire hazard. When service is required, the original lead routing and dress should be observed, and it should be confirmed that they have been returned to normal, after re-assembling.

1.5.1 Warning

- (1) Service should be performed by qualified personnel only.
- (2) This equipment has been designed and manufactured to meet international safety standards.
- (3) It is the legal responsibility of the repairer to ensure that these safety standards are maintained.
- (4) Repairs must be made in accordance with the relevant safety standards.
- (5) It is essential that safety critical components are replaced by approved parts.
- (6) If mains voltage selector is provided, check setting for local voltage.



CAUTION Burrs formed during molding may be left over on some parts of the chassis. Therefore, pay attention to such burrs in the case of performing repair of this system.

1.6 Preventing static electricity

Electrostatic discharge (ESD), which occurs when static electricity stored in the body, fabric, etc. is discharged, can destroy the laser diode in the traverse unit (optical pickup). Take care to prevent this when performing repairs.

1.6.1 Grounding to prevent damage by static electricity

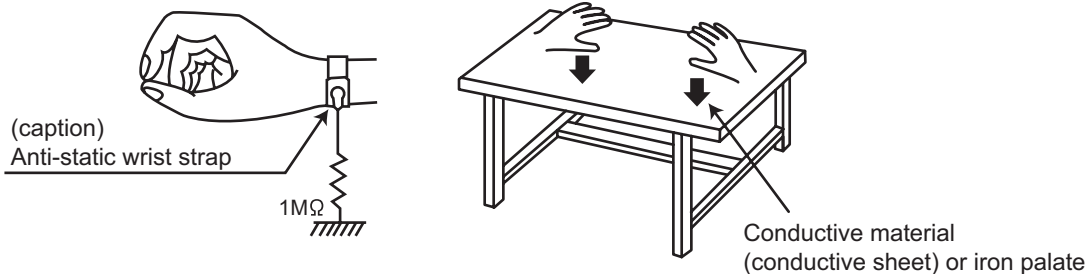
Static electricity in the work area can destroy the optical pickup (laser diode) in devices such as laser products. Be careful to use proper grounding in the area where repairs are being performed.

(1) Ground the workbench

Ground the workbench by laying conductive material (such as a conductive sheet) or an iron plate over it before placing the traverse unit (optical pickup) on it.

(2) Ground yourself

Use an anti-static wrist strap to release any static electricity built up in your body.



(3) Handling the optical pickup

- In order to maintain quality during transport and before installation, both sides of the laser diode on the replacement optical pickup are shorted. After replacement, return the shorted parts to their original condition. (Refer to the text.)
- Do not use a tester to check the condition of the laser diode in the optical pickup. The tester's internal power source can easily destroy the laser diode.

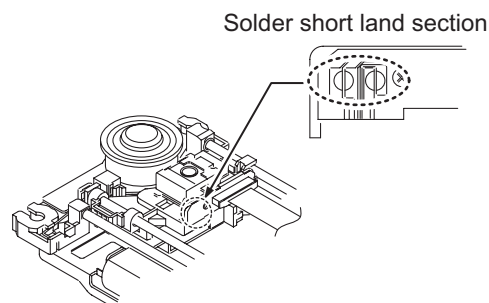
1.7 Handling the traverse unit (optical pickup)

- (1) Do not subject the traverse unit (optical pickup) to strong shocks, as it is a sensitive, complex unit.
- (2) Cut off the shorted part of the flexible cable using nippers, etc. after replacing the optical pickup. For specific details, refer to the replacement procedure in the text. Remove the anti-static pin when replacing the traverse unit. Be careful not to take too long a time when attaching it to the connector.
- (3) Handle the flexible cable carefully as it may break when subjected to strong force.
- (4) It is not possible to adjust the semi-fixed resistor that adjusts the laser power. Do not turn it.

1.8 Attention when traverse unit is decomposed

***Please refer to "Disassembly method" in the text for the pickup unit.**

- Apply solder to the short land sections before the card wire is disconnected from the connector on the servo board. (If the card wire is disconnected without applying solder, the pickup may be destroyed by static electricity.)
- In the assembly, be sure to remove solder from the short land sections after connecting the card wire.



1.9 Important for laser products

1.CLASS 1 LASER PRODUCT

2.CAUTION :

Visible and/or invisible class 1M laser radiation when open. Do not view directly with optical instruments.

3.CAUTION : Visible and/or invisible laser radiation when open and inter lock failed or defeated. Avoid direct exposure to beam.

4.CAUTION : This laser product uses visible and/or invisible laser radiation and is equipped with safety switches which prevent emission of radiation when the drawer is open and the safety interlocks have failed or are defeated. It is dangerous to defeat the safety switches.

5.CAUTION : If safety switches malfunction, the laser is able to function.

6.CAUTION : Use of controls, adjustments or performance of procedures other than those specified here in may result in hazardous radiation exposure.



CAUTION Please use enough caution not to see the beam directly or touch it in case of an adjustment or operation check.

CAUTION : Visible and/or invisible class 1M laser radiation when open. Do not view directly with optical instruments

ACHTUNG: Sichtbare und/oder unsichtbare Laserstrahlung der Klasse 1M bei offenen Abdeckungen. Nicht direkt mit optischen Instrumenten betrachten.

ATTENTION: Rayonnement laser visible et/ou invisible de classe 1M une fois ouvert. Ne pas regarder directement avec des instruments optiques.

VOORZICHTIG: Zichtbare en/of onzichtbare klasse 1M laserstralen indien geopend. Bekijk niet direct met optische instrumenten.

ATTENZIONE: Radiazione laser in classe 1M visibile e/o invisibile quando aperto. Non osservare direttamente con strumenti ottici.

WARNING: Synlig och/eller osynlig laserstrålning, klass 1M, när denna del är öppnad. Betrakta ej strålen med optiska instrument.

VARO! Avattaessa olet alttiina näkyvälle ja/tai näkymättömälle luokan 1M lasersäteilylle. Älä tarkastele sitä optisen laitteen läpi.

ADVARSEL: Synlig og/eller usynlig klasse 1M-laserstrålning ved åbning. Se ikke direkte med optiske instrumenter.

AVISO: Radiación láser de clase 1M visible y/o invisible cuando está abierto. No mirar directamente con instrumental óptico.

PRECAUÇÃO: Radiação laser de classe 1M visível e/ou invisível quando aberto. Não olhe diretamente com instrumentos ópticos.

PRECAUÇÃO: Radiação laser de classe 1M visível e/ou invisível quando aberto. Não olhe diretamente com instrumentos ópticos.

ПРЕДУПРЕЖДЕНИЕ: В открытом состоянии происходит видимое и/или невидимое излучение лазера класса 1M. Не смотрите непосредственно в оптические инструменты.

UWAGA: Otwarcie spowoduje narażenie na widzialne i/lub niewidzialne promieniowanie lasera klasy 1M. Nie patrzeć bezpośrednio w przyrządy optyczne.

UPOZORNĚNÍ: Při otevření vydává viditelné popř. neviditelné laserové ozáření třídy 1M. Nedívejte se do otvoru přímo s optickými nástroji.

FIGYELMEZTETÉS: Látható és/vagy láthatatlan 1M osztályú sugárzás nyitott állapotban. Ne nézze közvetlenül optikai műszerekkel.

注意：打開蓋板可能會產生可見或不可見的 1M 級鐳射。不要使用光學儀器直接進行窺視。

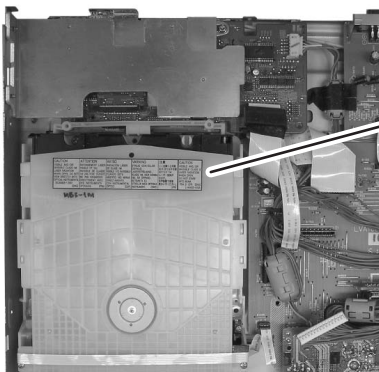
注意：打开盖板可能会产生可见或不可见的 1M 级辐射。不要使用光学仪器直接进行窥视。

تنبيه: يوجد إشعاع ليزري مرئي و/أو غير مرئي من الفئة 1M عندما يكون الجهاز مفتوحاً. تجنب النظر مباشرة داخل الجهاز باستخدام أدوات بصرية.

احتياط: هنگامی که باز گردد، تشعشع مرئی و یا نامرئی کلاس 1M لیزر وجود دارد. با لوازم چشمی مستقیماً به آن نگاه نکنید.

주의: 개방하면 가시 및/또는 비가시 클래스 1M 레이저 방사선이 나옵니다. 광학 기구로 직접 들여다보지 마십시오.

REPRODUCTION AND POSITION OF LABELS and PRINT WARNING LABEL and PRINT



CAUTION VISIBLE AND/OR INVISIBLE CLASS 1M LASER RADIATION WHEN OPEN. DO NOT VIEW DIRECTLY WITH OPTICAL INSTRUMENTS. IEC30825-1:2001 (ENG)	ATTENTION RAYONNEMENT LASER VISIBLE ET/OU INVISIBLE DE CLASSE 1M UNE FOIS OUVERT. NE PAS REGARDER DIRECTEMENT AVEC DES INSTRUMENTS OPTIQUES. (FRA)	AVISO RADIACIÓN LÁSER DE CLASE 1M VISIBLE Y/O INVISIBLE CUANDO ESTA ABIERTO. NO MIRAR DIRECTAMENTE CON INSTRUMENTAL ÓPTICO. (ESP)	WARNING SYNLIG OCH/ELLER OSYNLIG LASERSTRÅLNING, KLASS 1M, NÄR DENNA LEJER-ÅBENING DEL ÄR ÖPPNAD. BETRAKTA EJ STRÅLEN MED OPTISKA INSTRUMENT. (SWE)	注意 ここに書くと可視 及び/または不可視 のクラス1M レーザー放射が 出ます。 光学装置で直接 見ないでください。 (JPN)	CAUTION VISIBLE AND/OR INVISIBLE CLASS 1 LASER RADIATION WHEN OPEN. DO NOT STARE INTO BEAM. FDA 21 CFR (ENG) LV44803-003A
--	--	---	--	--	--

SECTION 2 SPECIFIC SERVICE INSTRUCTIONS

This service manual does not describe SPECIFIC SERVICE INSTRUCTIONS.

SECTION 3 DISASSEMBLY

3.1 Main body section

3.1.1 Removing the side panel L, R (See Fig.1)

- (1) From the bottom sides of the main body, remove the four screws **A** attaching the side panel L and side panel R.
- (2) Remove the side panel L and side panel R.

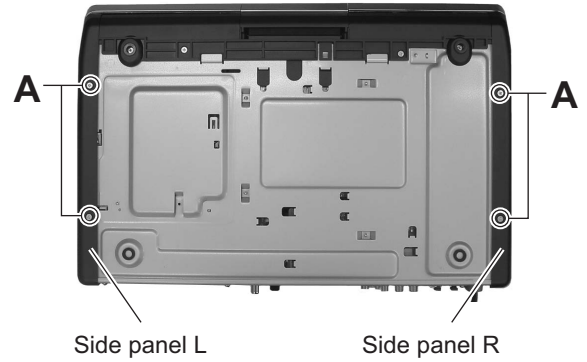


Fig.1

3.1.2 Removing the top cover (See Figs. 2 to 9)

- Remove the side panel L and side panel R.
 - From the left and right side of the main body, remove the two screws **B** and two screws **B'** (See Figs.2 and 3)

Reference:

When attaching the screws **B'**, attach the earth wires with them. (See Figs. 2 and 3)

- From the back side of the main body, remove the two screws **C** attaching the rear panel. (See Fig.4)
- Insert the minus driver a space **a** of the door arm to the front base. (See Fig.5)
- Moving the minus driver in the direction of the arrow. (See Fig.5)
- Take out the door from the front base in the direction of the arrow. (See Fig.6)
- Remove the two screws **D** attaching the top cover. (See Fig.7)
- From the top side of the main body, open the top panel in the direction of the arrow. (See Fig.8)
- From front side of the main body, disconnect the card wire from the connector [CN451](#) on the main board. (See Fig.9)
- Remove the top cover.

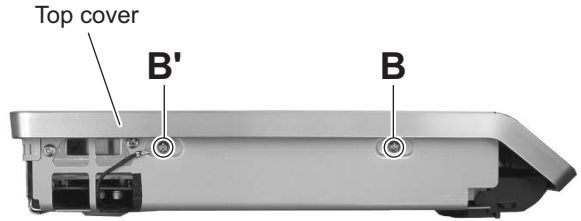


Fig.2

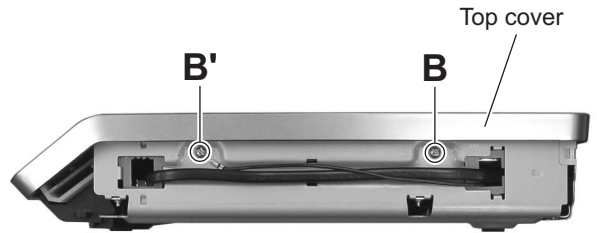


Fig.3

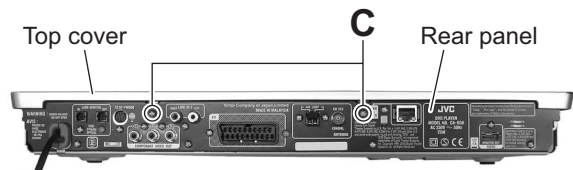


Fig.4

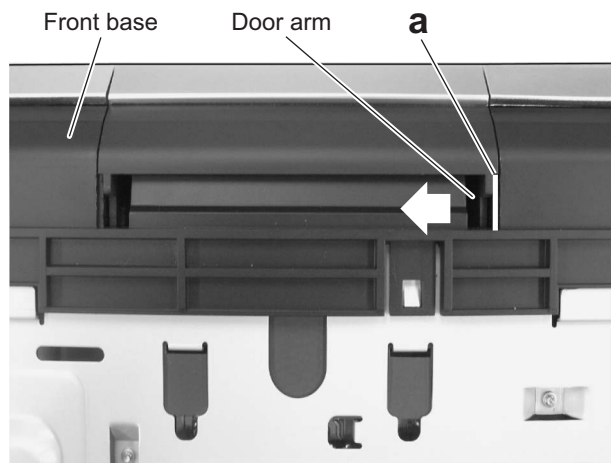


Fig.5

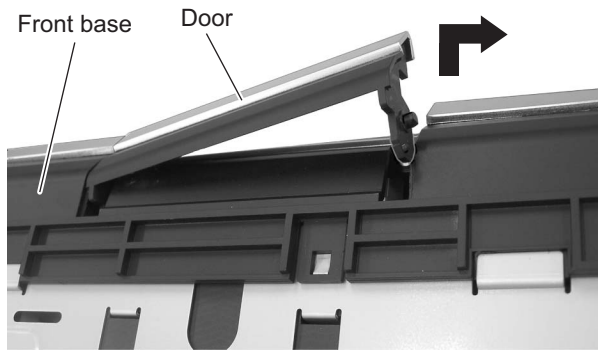


Fig.6

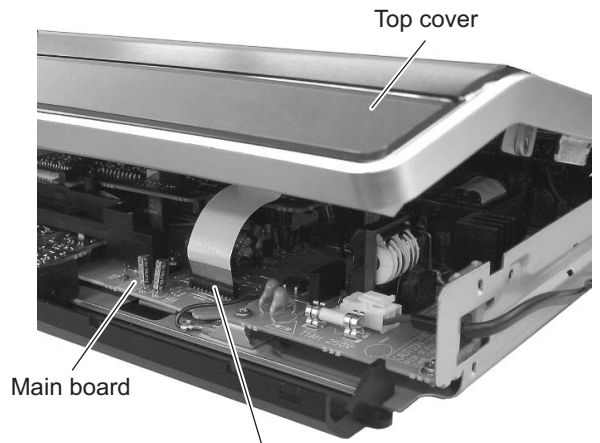


Fig.9

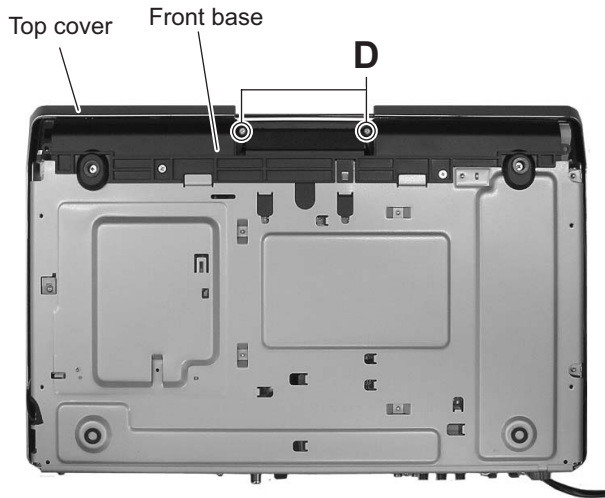


Fig.7



Fig.8

3.1.3 Removing the front base (See Fig.10)

- Remove the side panel L, side panel R and top cover.
 - From the bottom side of the main body, remove the four screws **E** attaching the front base.
 - Release the joint **b** of the front base and then remove in the direction of the arrow.

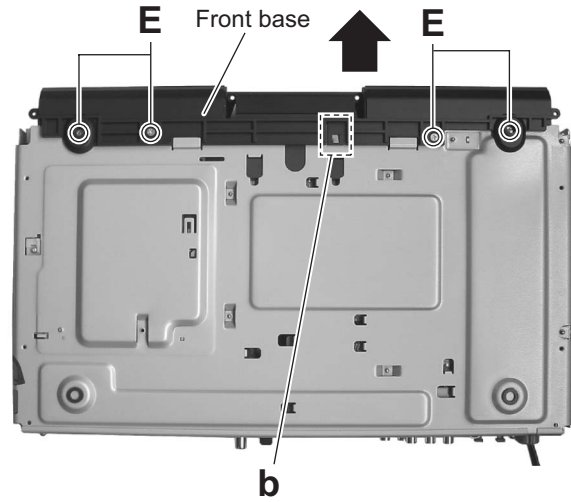


Fig.10

3.1.4 Removing the audio board (See Figs.11 and 12)

- Remove the side panel L, side panel R, top cover and front base.
 - From the back side of the main body, remove the screw **F** and three screws **G** attaching the audio board to the rear panel. (See Fig.11)
 - From top side of the main body, remove the two screws **H** attaching the holder. (See Fig.12)
 - Take out the holder from the main body in the direction of the arrow. (See Fig.12)
 - Disconnect the connector [CN202](#) on the audio board from the main board. (See Fig.12)
 - Disconnect the wire from the connector [CN204](#) on the audio board. (See Fig.12)
 - Disconnect the card wire from the connector [CN201](#) on the audio board. (See Fig.12)
 - Remove the audio board and then disconnect the wire from the connector [CN421](#) on the main board. (See Fig.12)
 - Take out the audio board from the main body.

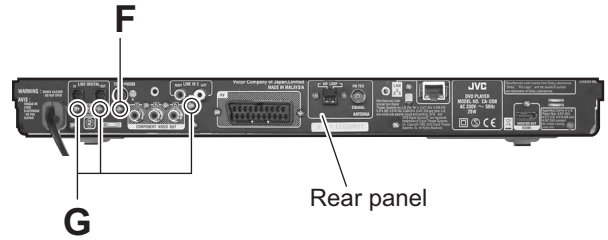


Fig.11

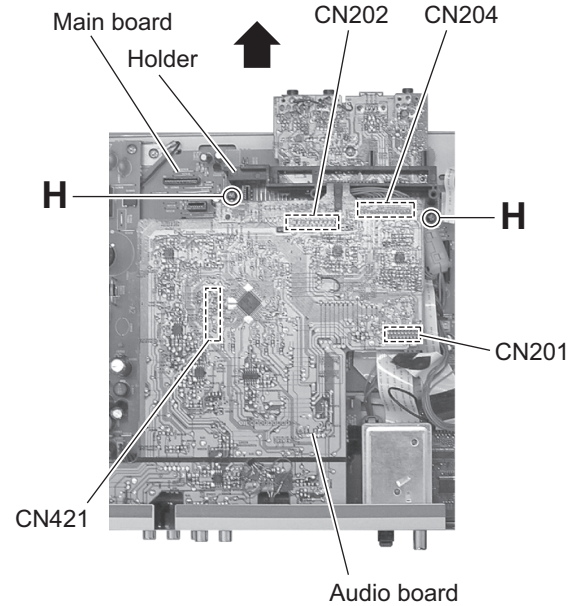


Fig.12

3.1.5 Removing the tuner (See Figs.13 and 14)

- Remove the side panel L, side panel R, top cover, front base and audio board.
 - From the top side of the main body, disconnect the card wire from the connector [CN441](#) on the main board. (See Fig.13)
 - From the back side of the main body, remove the two screws **J** attaching the tuner to the rear panel and then take out the tuner. (See Fig.14)

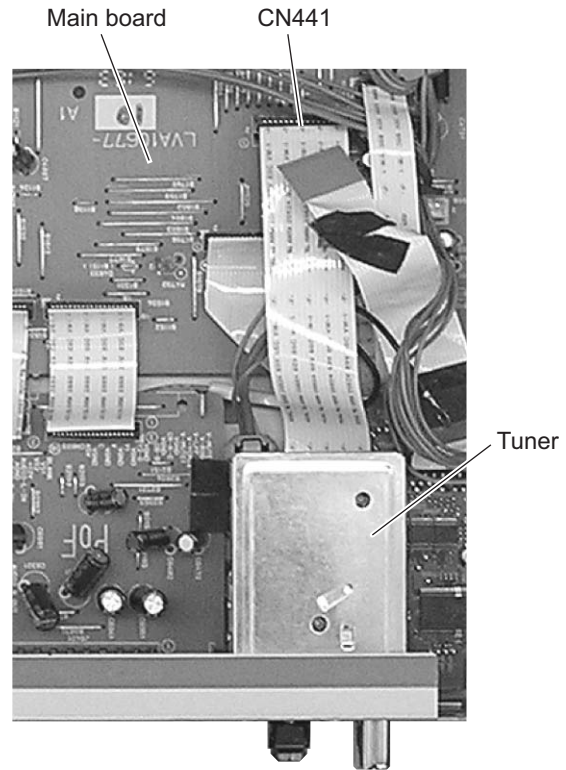


Fig.13

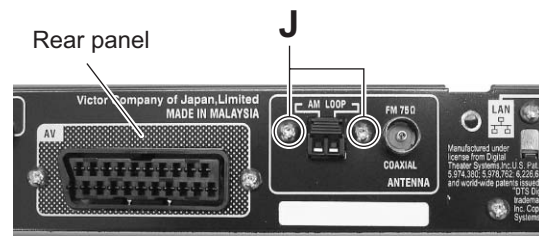


Fig.14

3.1.6 Removing the rear panel (See Fig.15)

- Remove the side panel L, side panel R, top cover, front base, audio board and tuner.
 - From the back side of the main body, remove the eight screws **K**, screw **M** and **N** attaching the rear panel.
 - Release the two joints **c** of the rear panel.
 - Take out the rear panel from the main body.

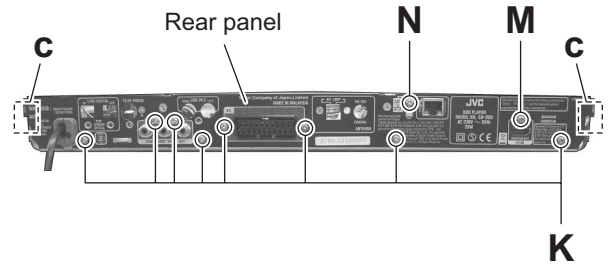


Fig.15

3.1.7 Removing the LAN board assembly (See Figs.16 and 17)

- Remove the side panel L, side panel R, top cover, front base, audio board, tuner and rear panel.
 - From the top side of the main body, remove the two screws **P** attaching the LAN board assembly. (See Fig.16)
 - Disconnect the wire from the connector on the LAN board assembly. (See Fig.16)
 - Lift up the LAN board assembly and then disconnect the card wire from the connector **CN351** on the DVD board. (See Fig.17)
 - Take out the LAN board assembly from the main body.

CAUTION:

The connector **CN351** is easy to broken when release the lock of connector.

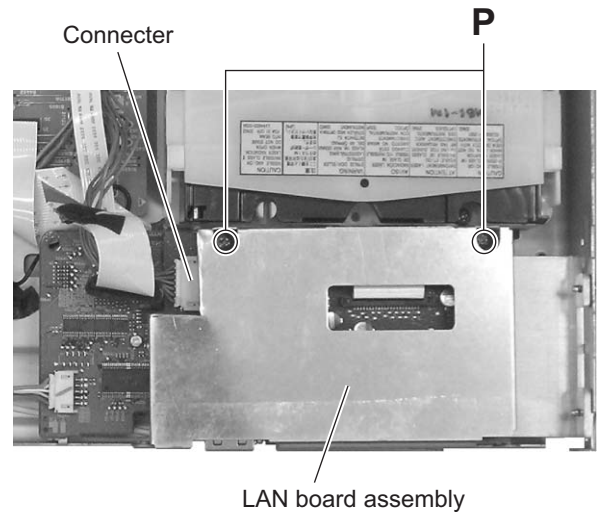


Fig.16

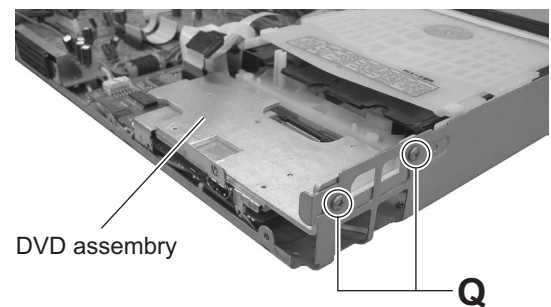


Fig.17

3.1.8 Removing the DVD assembly (See Figs.18 and 19)

- Remove the side panel L, side panel R, top cover, front base, audio board, tuner, rear panel and LAN board assembly.
 - (1) From the right side of the main body, remove the two screws **Q** attaching the DVD assembly. (See Fig.18)
 - (2) From the top side of the main body, remove the screw **R** and screw **S** attaching the DVD assembly. (See Fig.19)

Reference:

When removing the screw **R**, use a screwdriver shown as follows.

TORX Driver: size T10

Parts number: DR-L70

- (3) Disconnect the card wires from connectors ([CN471](#), [CN472](#), [CN473](#)) on the main board. (See Fig.19)
- (4) Disconnect the wire from connector [CN704](#) on the DVD assembly. (See Fig.19)
- (5) Take out the DVD assembly from the main body.

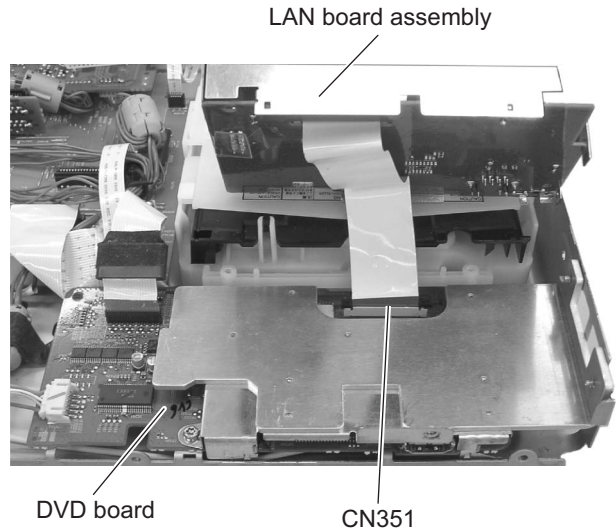


Fig.18

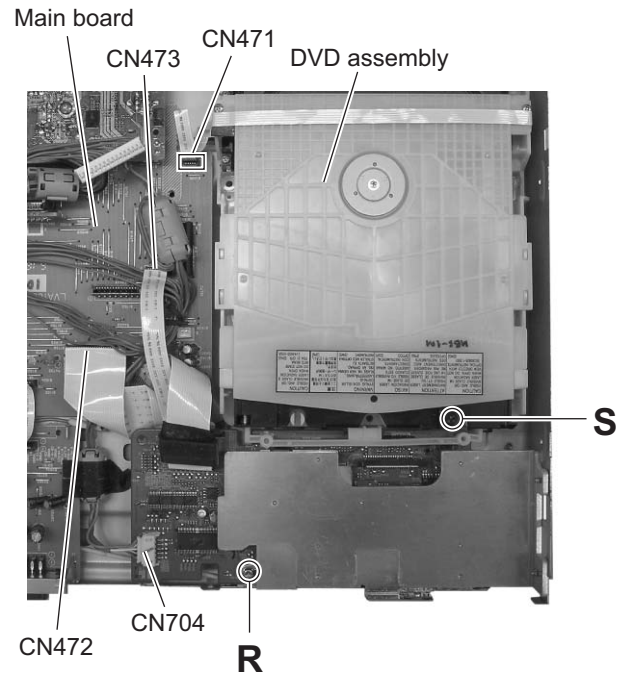


Fig.19

3.1.9 Removing the DVD board (See Fig.20)

- Remove the DVD assembly.
 - From the bottom side of the DVD assembly, disconnect the card wires from the connectors (CN101, CN1201) on the DVD board.
 - Remove the screw T attaching the DVD board to the DVD assembly. (See Fig.20)
 - Take out the DVD board.

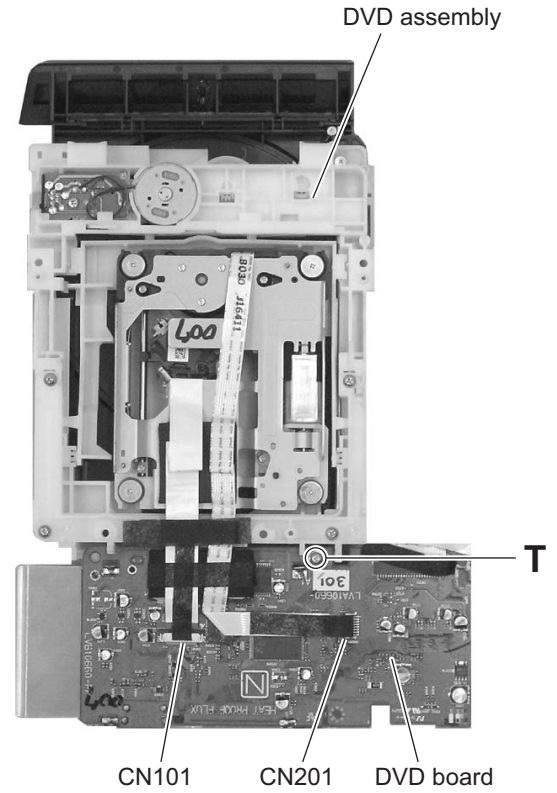


Fig.20

3.1.10 Removing the jack board (See Fig.21)

- Remove the side panel L, side panel R, top cover, front base, audio board and LAN board assembly.
 - From the top side of the main body, remove the screw **U** attaching the jack board.
 - Disconnect the wire from the connector [CN704](#) on the DVD board.
 - Take out the jack board from the main body.

3.1.11 Removing the main board (See Fig.21)

- Remove the side panel L, side panel R, top cover, front base, audio board, tuner, rear panel, LAN board assembly and jack board.
 - From the top side of the main body, remove the screw **V** and screw **V'** attaching the main board.

Reference:

When attaching the screw **V'**, attach the earth wire with it. (See Fig. 21)

- Disconnect the card wires from the connectors ([CN461](#), [CN463](#), [CN471](#), [CN472](#), [CN473](#)) on the main board.
- Disconnect the wire from the connector [CN901](#) on the main board.
- Take out the main board from the main body.

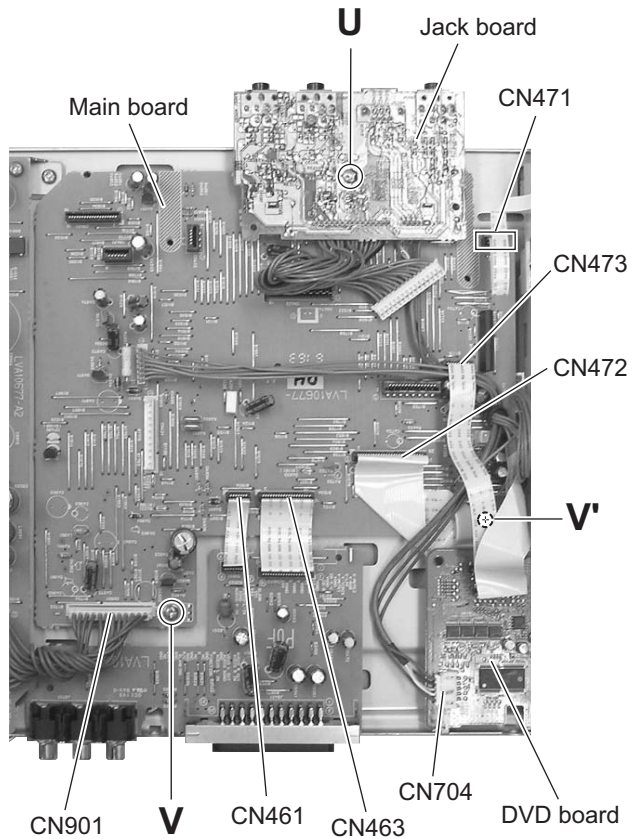


Fig.21

3.1.12 Removing the power supply board

(See Fig.22)

- Remove the side panel L, side panel R, top cover, front base, audio board, tuner and rear panel.

- From the top side of the main body, disconnect the wire from the connector [CN901](#) on the main board.
- Disconnect the power code from the connector [CN991](#) on the power supply board.
- Remove the three screws **W** and screw **W'** attaching the power supply board.

Reference:

When attaching the screw **W'**, attach the barrier with it.

- Remove the screw **X** attaching the earth wire to the main body.

Reference:

When attaching the screw **X**, attach the earth wire with it.

- Take out the power supply board from the main body.

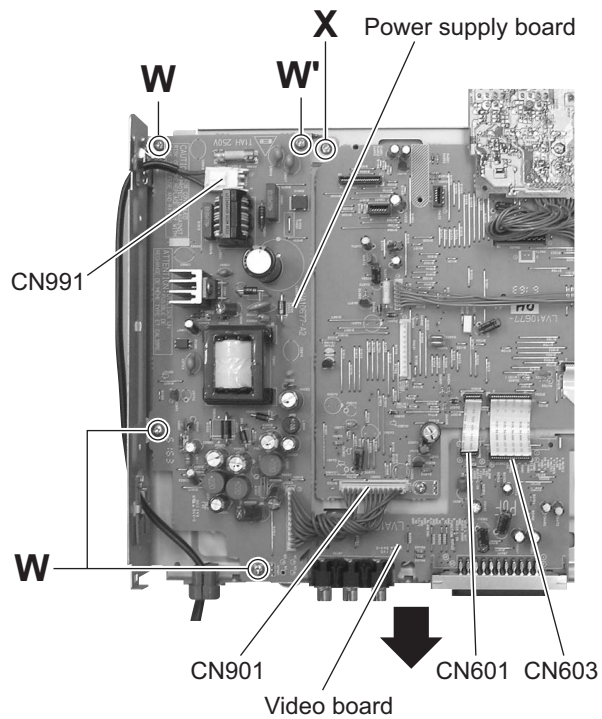


Fig.22

3.1.13 Removing the video board

(See Fig.22)

- Remove the side panel L, side panel R, top cover, front base, audio board, tuner and rear panel.

- From the top side of the main body, disconnect the card wires from the connectors ([CN601](#), [CN603](#)) on the video board.
- Take out the video board from the main body in the direction of the arrow.

3.1.14 Removing the FL board (See Fig.23)

- Remove the side panel L, side panel R and top cover.
 - From the bottom side of the top cover, remove the two screws **Y** attaching the top cover.
 - Disconnect the wire from the connector [CN562](#) on the FL board.
 - Take out the FL board from the top cover.

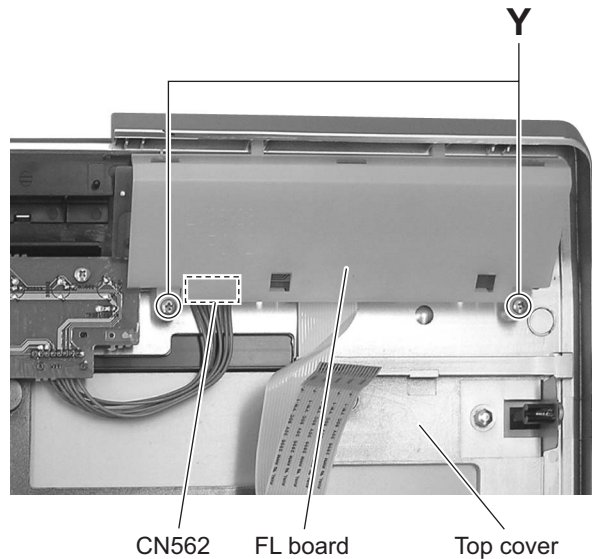


Fig.23

3.1.15 Removing the key board (See Fig.24)

- Remove the side panel L, side panel R, top cover and FL board.
 - From the bottom side of the top cover, release the two joints **d** attaching the key board.
 - Remove the three screws **Z** and then take out the key board from the top cover.

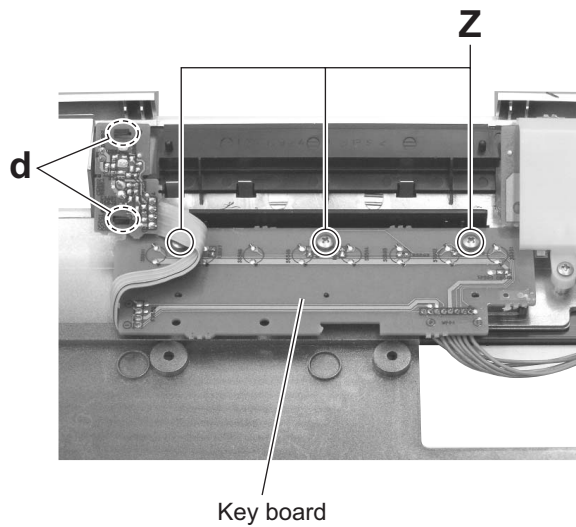


Fig.24

3.2 Powered subwoofer section

3.2.1 Removing the Power amplifier unit

(See Fig.1 to 3)

- (1) Remove the six screws **A** attaching the Power amplifier unit. (See Fig.1)
- (2) Remove the three screws **B** attaching the Power amplifier unit. (See Fig.2)
- (3) The Power amplifier unit is drawn out on the way, disconnect the connector wire from speaker unit connected to connector [CN301](#) of the AMP board assembly and then take out the Power amplifier unit. (See Fig.3)

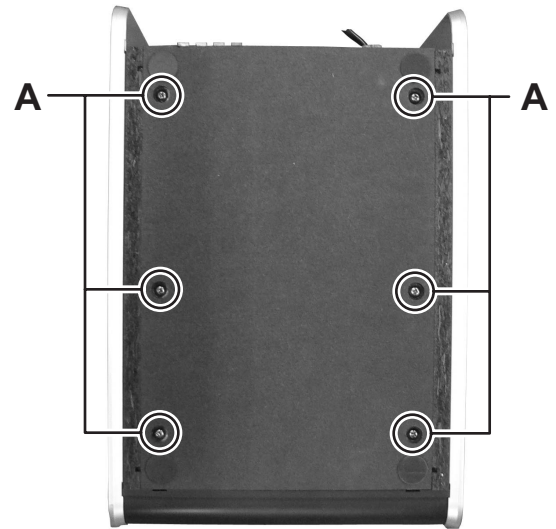


Fig.1

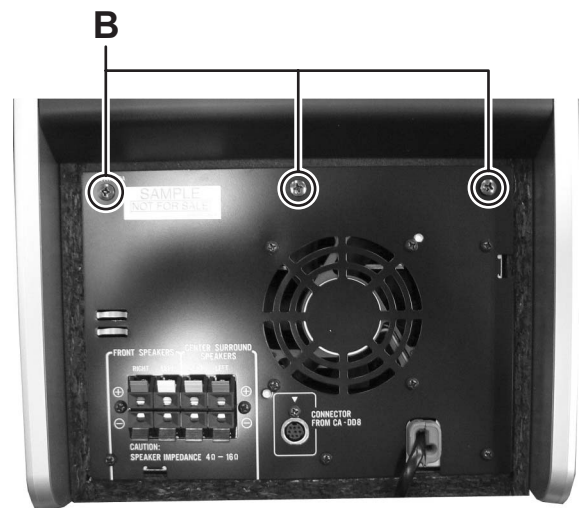


Fig.2

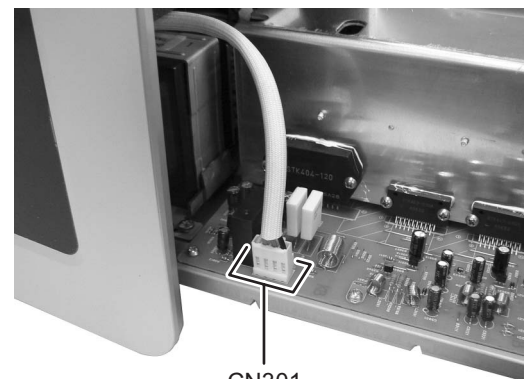


Fig.3

3.2.2 Removing the Rear panel with Fan (See Fig.4, 5)

- (1) Remove the one screw **C** and six screws **D** attaching the Rear panel with Fan. (See Fig.4)
- (2) Disconnect the connector wire from Fan connected to connector **CN303** of the AMP board. (See Fig.5)

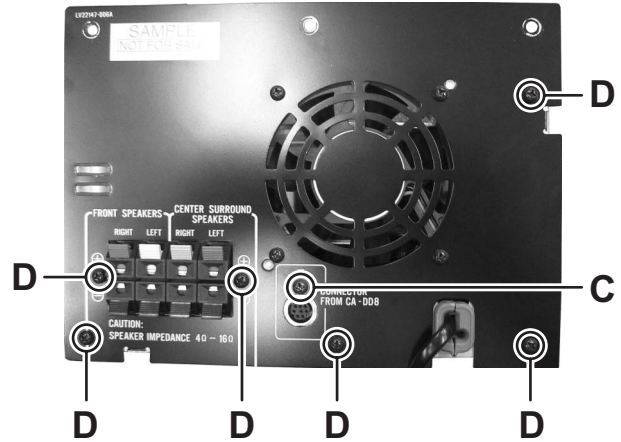


Fig.4

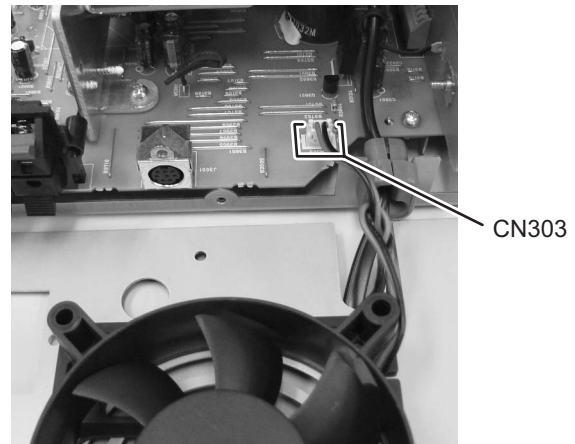


Fig.5

3.2.3 Removing the Heat sink (See Fig.6, 7)

- (1) Remove the two screws **E** and four screws **F** attaching the Power amplifier ICs. (See Fig.6)
- (2) Remove the one screw **G** attaching the thermistor. (See Fig.6)
- (3) Remove the three screws **H** attaching the Heat sink. (See Fig.6)
- (4) Remove the three screws **J** attaching the Heat sink. (See Fig.7)

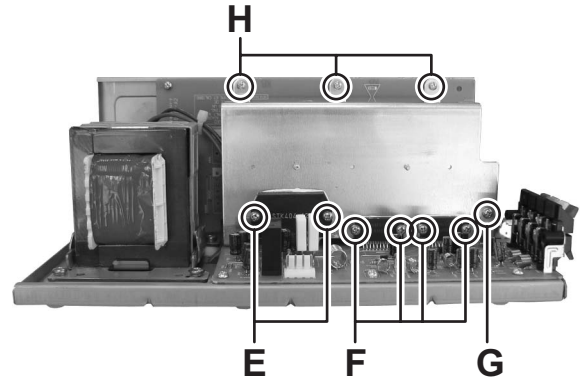


Fig.6

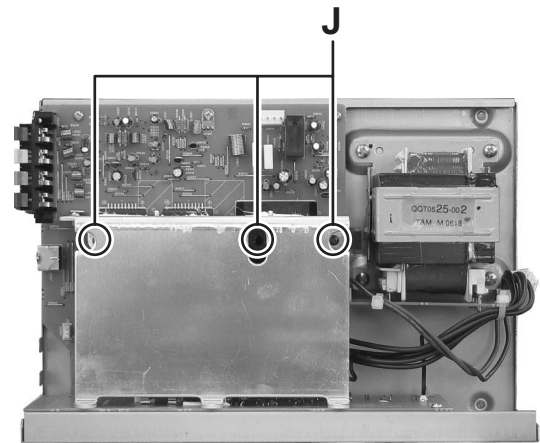


Fig.7

3.2.4 Removing the Power transformer (See Fig.8, 9)

- (1) Disconnect the connector wires from Power transformer connected to connector [CN102](#) of the Control board assembly and [CN302](#) of the AMP board assembly. (See Fig.8)
- (2) Remove the four screws **K** attaching the Power transformer. (See Fig.9)

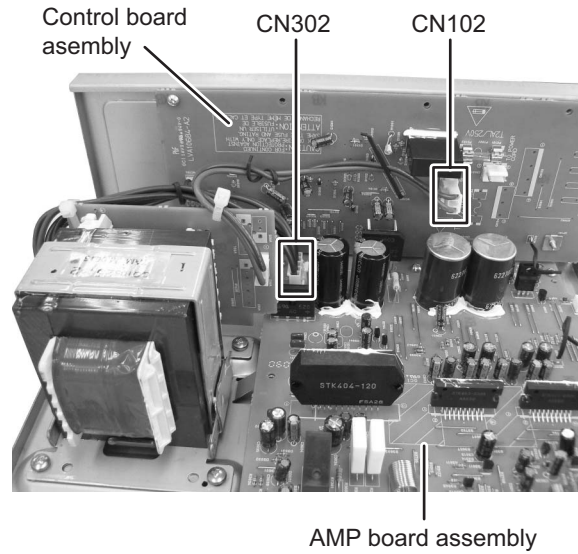


Fig.8

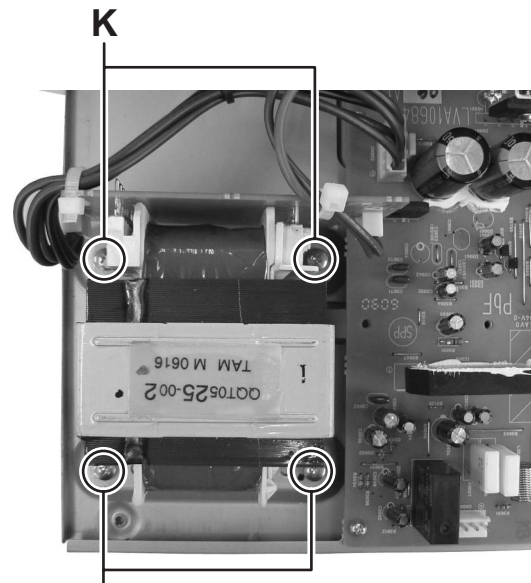


Fig.9

3.2.5 Removing the Control board assembly (See Fig.10 to 12)

- (1) Remove the two screws **L** attaching the Control board assembly. (See Fig.10)
- (2) Remove the one screw **M** attaching the Control board assembly. (See Fig.11)
- (3) Disconnect the board to board connector connected connector **CN105** to AMP board assembly. (See Fig.12)



Fig.10

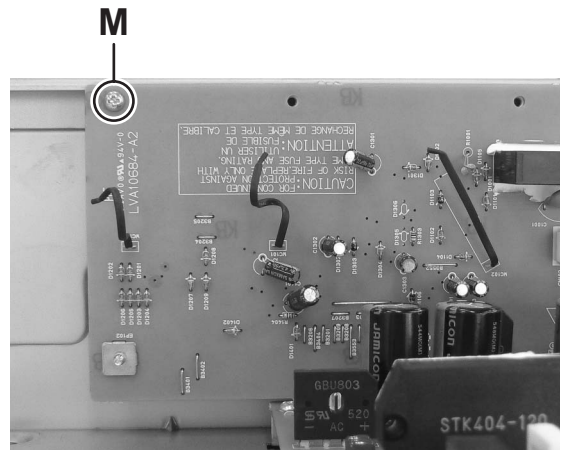


Fig.11

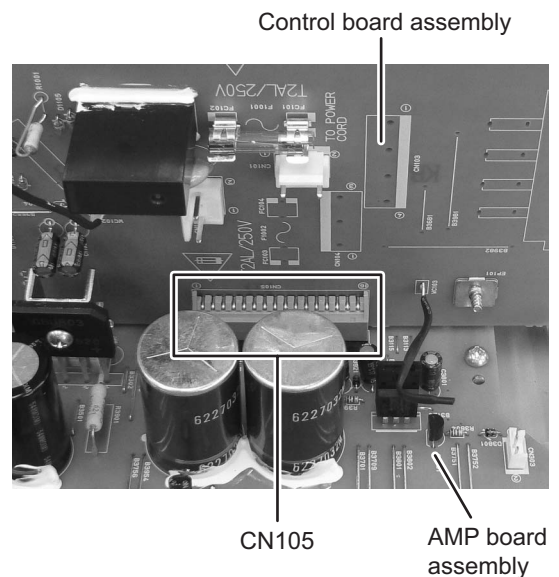


Fig.12

**3.2.6 Removing the AMP board assembly
(See Fig.13)**

- (1) Remove the one screw **N** and five screws **P** attaching the AMP board assembly.

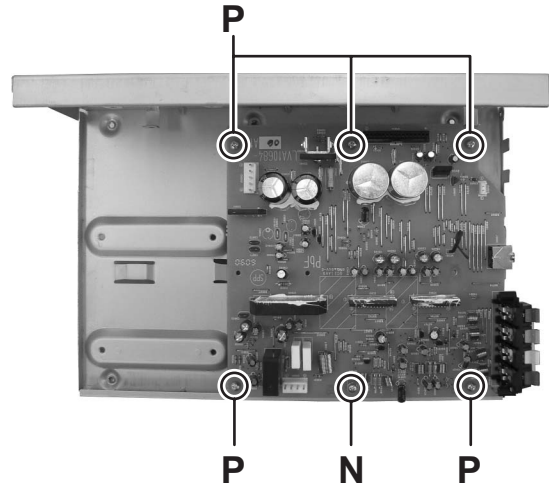


Fig.13

3.3 DVD mechanism assembly

3.3.1 Removing the DVD module board assembly

(See Fig.1 to 3)

- (1) Remove the two screws **A** attaching the clumper base. (See Fig.1)
- (2) Solder the solder part of DVD pickup. (See Fig.2)
- (3) Disconnect the card wire from DVD mechanism assembly connected to connector **CN101** and **CN201** of the DVD module board assembly. (See Fig.3)
- (4) Remove the one screw **B** attaching the DVD module board assembly. (See Fig.3)

Caution:

- Solder the short land section on the DVD pickup before disconnecting the card wire from the connector on the DVD pickup. If the card wire is disconnected without attaching solders, the pickup may be destroyed by static electricity.
- When attaching the DVD pickup, be sure to remove solders from the short land section after connecting the card wire to the connector on the DVD pickup.

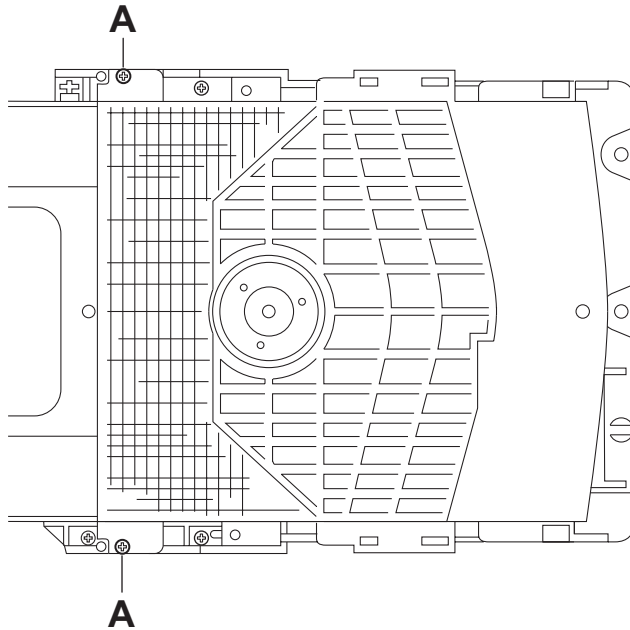


Fig.1

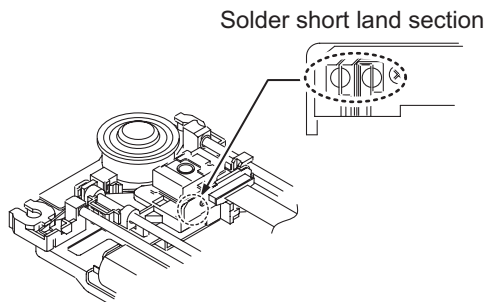


Fig.2

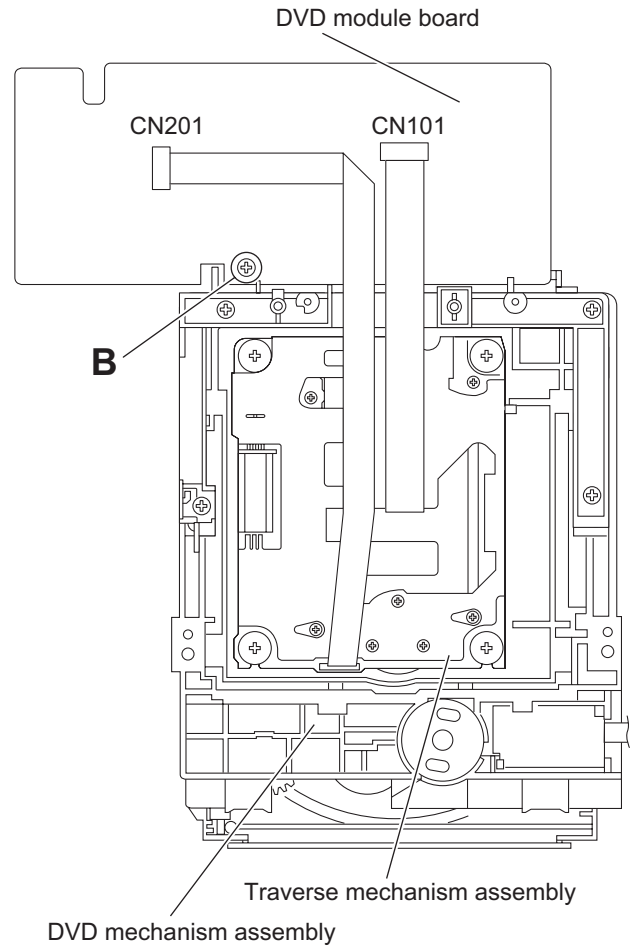


Fig.3

3.3.2 Removing the Traverse mechanism assembly (See Fig.4)

- (1) Remove the four screws **C** attaching the Traverse mechanism assembly.

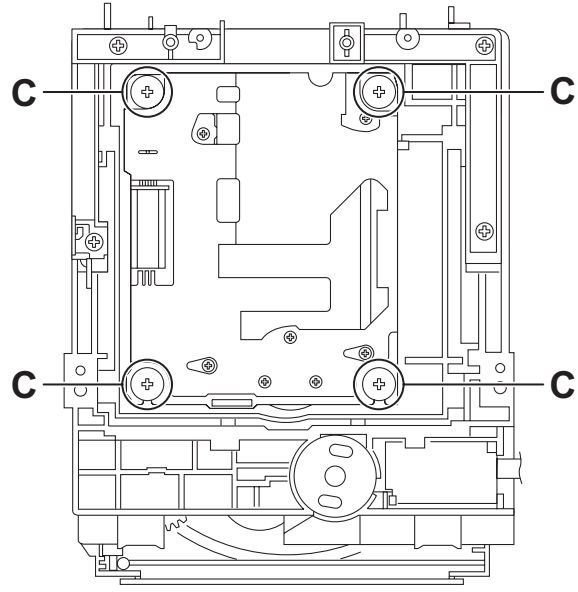


Fig.4

3.3.3 Removing the pickup assembly

(See Fig.5 to 9)

- (1) Remove the two rod springs pressing the guide shaft. (See Fig.5)
- (2) Remove the screw **D** and **E** attaching the spring holder. (See Fig.6)
- (3) Remove the read screw from traverse mechanism assembly. (See Fig.7)

Caution:

When remove the lead screw, do not loss the middle gear. (See Fig.8 and 9)

- (4) Remove the bar spring pressing the shaft. (See Fig.8)
- (5) Take out the pickup assembly from traverse mechanism chassis by order. (See Fig.9)

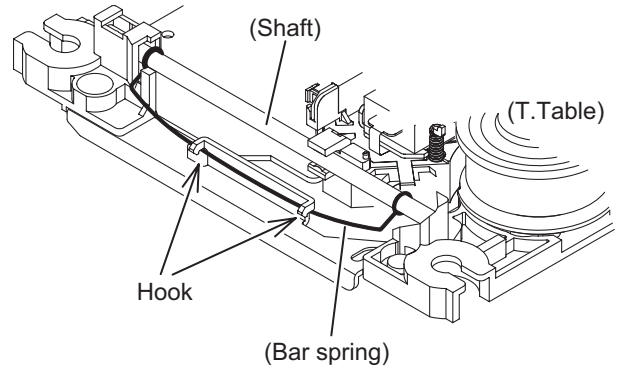


Fig.8

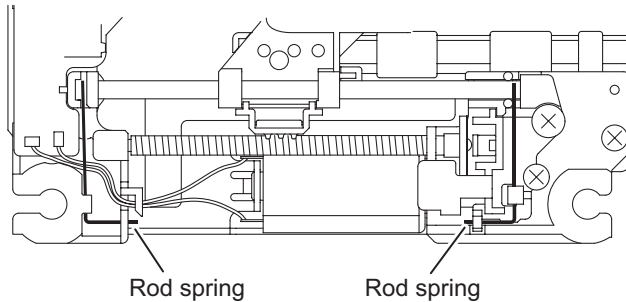


Fig.5

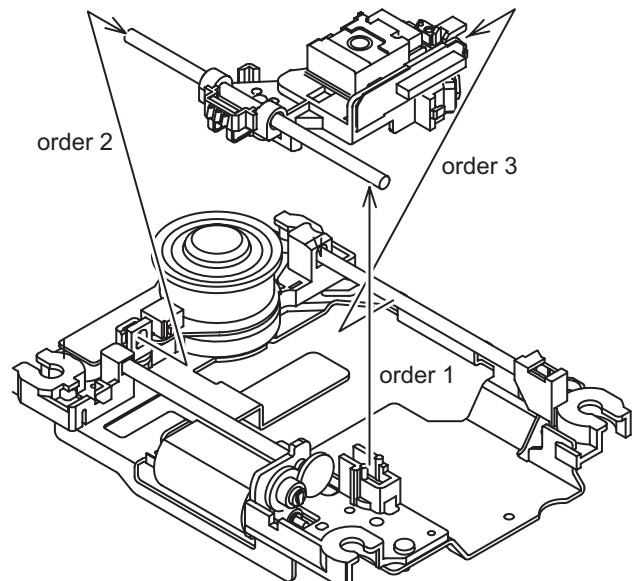


Fig.9

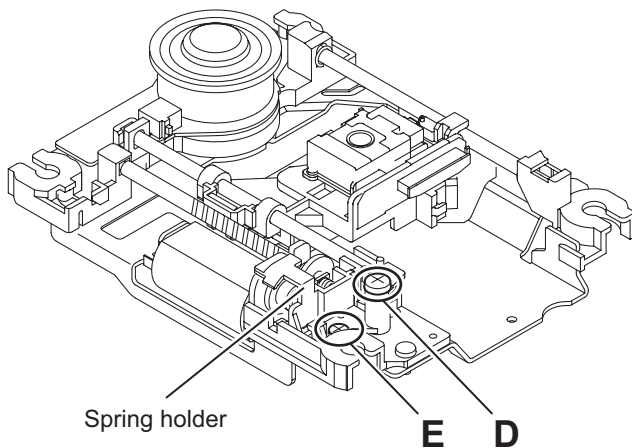


Fig.6

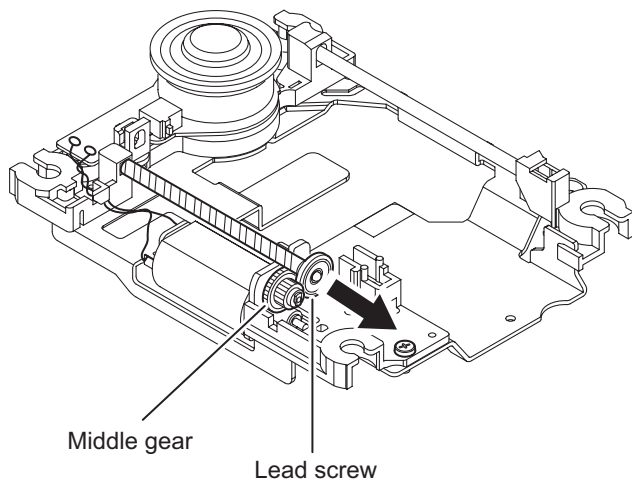


Fig.7

3.3.4 Removing the Feed motor assembly (See Fig.10)

- (1) Remove the one screw **F** attaching the feed motor assembly.
- (2) Remove the feed motor wires from solder part of spindle motor board.

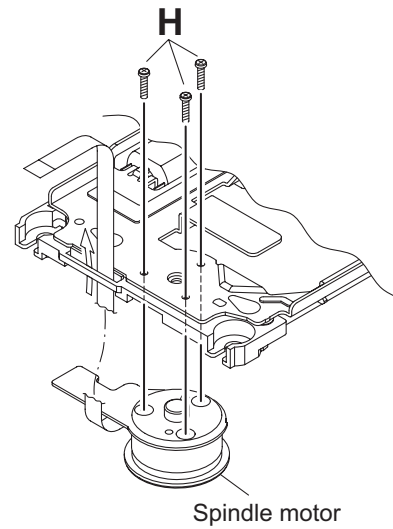
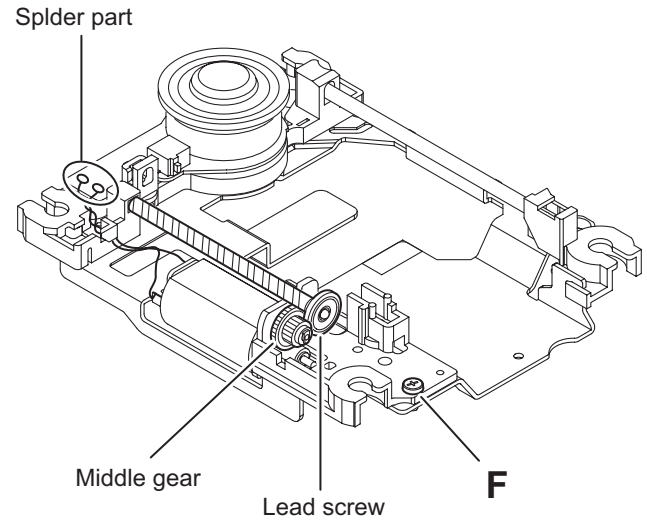


Fig.10

3.3.5 Removing the Spindle motor assembly (See Fig.11)

- (1) Remove the two screws **G** attaching the spindle motor from spindle motor board.

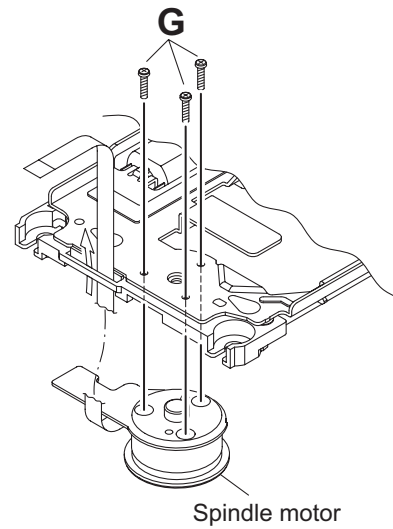


Fig.11

3.3.6 Removing the Tray assembly (See Fig.12, 13)

- (1) Remove the one screw **H** attaching the shaft guide from bottom side. (See Fig.12)
- (2) Remove the two screws **J** attaching the shaft guide from top side. (See Fig.13)

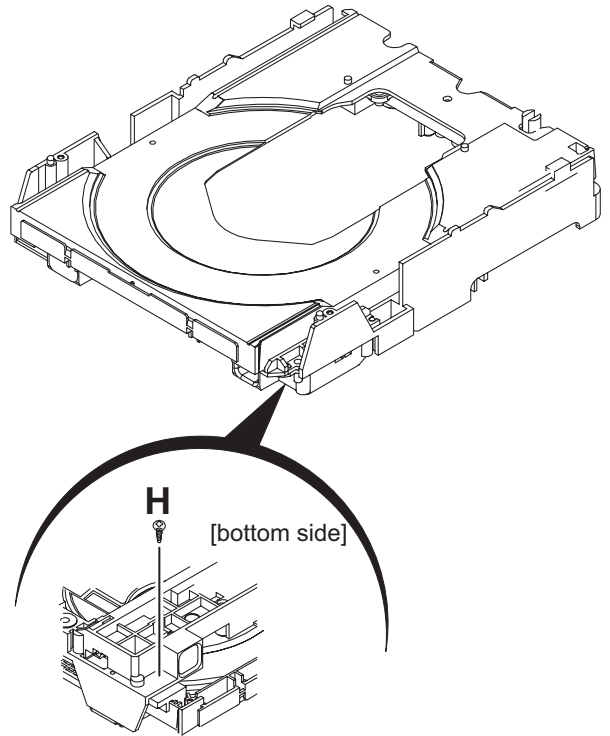


Fig.12

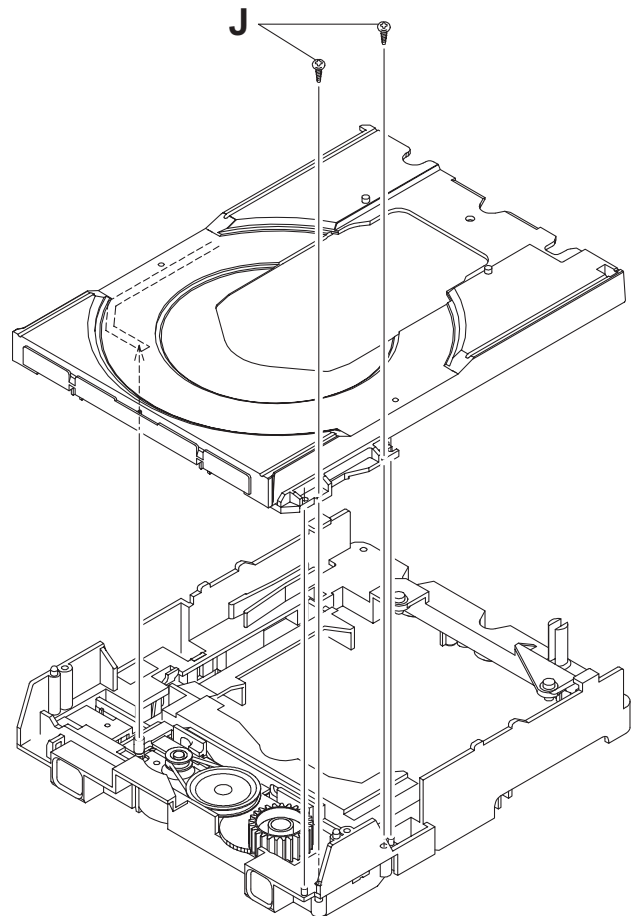


Fig.13

SECTION 4 ADJUSTMENT

4.1 ATTENTION IN SERVICE OF DVD SECTION

- (1) When pickup, Flash ROM ,DVD module board were changed, initialize EEPROM by all means.
- (2) When full initialization was executed, execute learning with a DVD test disc by all means.
 Test disc : VT-501, VT-502
 Learning method : It is adjusted automatically by normal playback of a DVD disc.

4.2 TEST MODE

4.2.1 TEST MODE setting

Name of Key	Function
Press STOP + PLAY key and connect to AC	It enters DVD TEST MODE.
The DVD EJECT key is pushed while pushing the STOP key at the time of the P.OFF.	The ON/OFF change of the TRAY LOCK mode is done.
At P.ON, long press STOP+POWER key 5sec.	It is made to advance in the clock at the --> 1 second of one minute. FL and LED are lit. all COLD SET is done. The mode clears long again for five seconds of STOP+POWER when done O. (COLD SET is released.)

4.2.2 REMOTE CONTROLLER TEST MODE setting

Name of Key	Remocon code	Content
STOP + 0 + POWER	B330	Follow the SYSTEM_TEST MODE spec
STOP + 1 + POWER	B331	Follow the SYSTEM TEST MODE spec
STOP + 2 + POWER	B332	Follow the SYSTEM TEST MODE spec
STOP + 3 + POWER	B333	ERROR HISTORY indication
STOP +10 + POWER	B33E	Follow the SYSTEM TEST MODE spec
STOP +>=10 + POWER	B33F	Follow the SYSTEM TEST MODE spec

4.2.3 DVD communication

TEXT indication	0	1	2	3	4	5	6	7	8	9	10	11	12	13	14	15	16	17	18	19	Remarks
MP3 FileName indication	C 9A:00:00	S AE:00:00	**	**	**																Request from File name, 0th character Display information
TEST mode	0	1	2	3	4	5	6	7	8	9	10	11	12	13	14	15	16	17	18	19	Remarks
TEST mode	C 94:00:02																				TEST MODE specification by INITIAL command
	C 9C:1F:00																				Mode state report (DELIVER INFO)
	C 97:05																				Destination, Region number demand
	S A6:05	**	**																		Destination, Region number information obtaining
	S AA:09	**	**																		Study state initialization information display to FL
>> Key is pushed Initialization	C 9C:06:00																				EEPROM Initialization
	S AA:01																				Initialization end
	S AA:09	**	**																		Study state initialization information display to FL
>> Key is pushes long (2seconds) FULL initialization	C 9C:06:01																				EEPROM Initialization (FULL)
	S AA:01																				Initialization end
	S AA:09	**	**																		Study state initialization information display to FL
<< Key is pushed	C 9C:1F:06																				Mode state report (DEVICE KEY WRITE) 14.Refer to the device key writing specification
Press MENU Key	C 9C:1F:01																				Mode state report (DEVICE KEY INFO)
	C 97:06																				DEVICE KEY CHECKSUM REQ
	S A6:06	**	**																		CHECKSUM is displayed in FL
Press MENU Key	C 9C:1F:02																				Mode state report (VERSION INFO)
	C 97:04																				Micom Version number demand
	S A6:04																				
Press MENU Key	C 9C:1F:03																				FL all on mode

TEXT indication		0	1	2	3	4	5	6	7	8	9	10	11	12	13	14	15	16	17	18	19	Remarks
Press MENU key	C	9C	1F	04																		Inform the MODE condition
Press 10key [1]	C	9C	11																			Disc startup and through playback (Playback starts from start position)
Press 10key [2]	C	9C	12																			Presence of WOBBLE
	S	AA	**	**	**	**																Indicate to FL
Press 10key [3]	C	9C	13																			Port check mode
	S	AA	**	**	**	**																Indicate to FL
Press 10key [4]	C	9C	14																			CD_LD on & indicate laser current
	S	AA	**	**	**	**																Indicate to FL
Press 10key [5]	C	9C	15																			DVD_LD on & indicate laser current
	S	AA	**	**	**	**																Indicate to FL
Press 10key [6]	C	9C	16																			DVD SL x 1 jitter measurement mode
	S	AA	**	**	**	**																Indicate to FL
Press 10key [7]	C	9C	19																			Backup memory contents (0x00-0x63) indication (BWD)
	S	AA	**	**	**	**																Indicate to FL
Press 10key [8]	C	9C	18																			Backup memory contents (0x00-0x63) indication (FWD)
	S	AA	**	**	**	**																Indicate to FL
Press 10key [9]	C	9C	1B																			Indicate temperature sensor value (AD value)
	S	AA	**	**	**	**																Indicate to FL
Press 10key [10]	C	9C	1C																			DVD-DL, SL prescribed search & measure jitter
	S	AA	**	**	**	**																Indicate to FL
Press 10key [0]	C	9C	1D																			Switching the monitor output
	S	AA	**	**	**	**																Indicate to FL
Press 10key [+10]	C	9C	1A																			Initialize the backup memory contents
	S	AA	**	**	**	**																Indicate to FL
Press STOP key	C	9C	03																			Disc stop, LD off
Press PLAY key	C	9C	1E																			Disc playback
	S	AA	**	**	**	**																Indicate to FL

4.3 ERROR HISTORY

4.3.1 Outline

EEPROM use 256byte, when an abnormal state is generated, the factor is written in EEPROM.

Worth of a history is left for each item 16 times.

It displays by the TEST code of remote control, and each address according to the key of the display of ERROR HISTORY.

4.3.2 ERROR writing

(1) ERROR information

No.	Item	Count	Value of writing	Writing condition	Guessed factor
1	SAFETY Number AD value	16	SAFETY abnormal No. AD value at time	When detection of SAFETY error, writing SAFETY number and AD value	Power circuit failure. Damage of card wire. Missing key operation.
2	P.OFF timeout factor	16	Factor of failure	Time out of power OFF process	Mechanical and module failure. Damage of card wire.
3	DVD	16	Factor of failure	Error with DVD	Module failure
4	P.OFF factor	16	Factor of power off	When starting power off process	User operation
5	Others				

(2) EEPROM writing timing

When abnormality occurs respectively, the value of the generated item is rewritten.

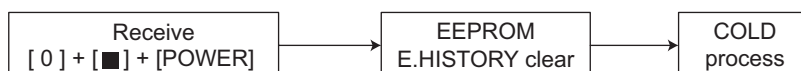
The writing starting address is assumed to be the latest one, and even the 16th byte writes the history in new the order at the following.

The writing method does the batch writing 16 bytes with PAGE WRITE.

(3) EEPROM clear condition

When COLD SET is fixed by remote control code [0]+[■]+[POWER] receive, the ERROR HISTORY part is cleared (ALL0x00).

(EEPROM clear not done by COLD START process)



4.3.3 Reading the ERROR HISTORY

The reading method is done by the following ways.

No.	Operation	Indication	System micon processing
1	Receive the remote code. [STOP]+[3]+[POWER]	E R R I N F O	Read out the ERROR HISTORY information from EEPROM.
2	Address change to ± 1 by <<, >> key of the remote controller. Address change to $\pm 0 \times 10$ by <<<, >>> key of the remote controller. Indication is start address to 00 then indicate step by 1 byte. operation exp.) address 00 indicating ① Press >> key ② Press >> key ③ Press << key ④ Press <<< key ⑤ Press <<< key	0 0 : 0 1 address data 0 1 : 0 5 1 0 : 2 1 0 F : 1 1 0 0 : 0 1 F 0 : 0 0	Read out the ERROR HISTORY information from EEPROM.
3	Cancel the mode by remote code. [STOP]+[3]+[POWER]		Return to normal function indication.

4.3.4 ERROR details

SAFETY	Number	SAFETY number at SAFETY occur. 1~5 (SAFETY watch umber difference by model)
	AD value	AD value at SAFETY occur 00~FF
P.OFF timeout factor		Factor that was not able to be power off.
	10	DVD, CD TIMEOUT
	70	MECHA CLOSE TIMEOUT
DVD	90	Others
		Abnormal factor concerning DVD
	70	MECHA CLOSE TIMEOUT
P.OFF	71	MECHA OPEN TIMEOUT
		Factor that was power off
	10	NORMAL
	20	AUTO STANDBY
Others	30	SLEEP
	40	TIMER

SECTION 5 TROUBLESHOOTING

This service manual does not describe TROUBLESHOOTING.



JVC

Victor Company of Japan, Limited
Audio/Video Systems Category 10-1, 1chome, Ohwatari-machi, Maebashi-city, 371-8543, Japan

(No.MB563)

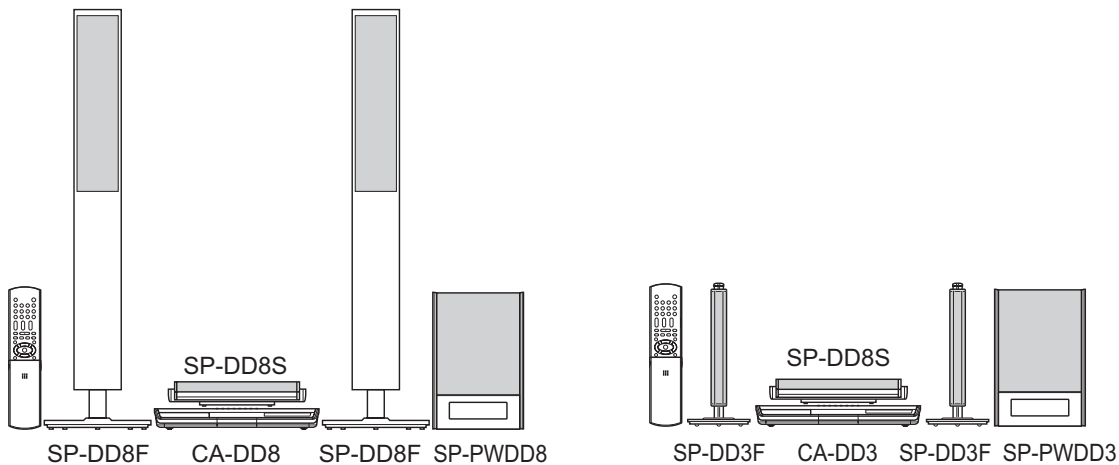
JVC

SCHEMATIC DIAGRAMS

NETWORK MEDIA SYSTEM

DD-8B, DD-8E, DD-8EN, DD-8EV, DD-8EE DD-3B, DD-3E, DD-3EN, DD-3EV, DD-3EE

CD-ROM No.SML200611



Digital Direct Progressive Scan *Radio Data System*



Lead free solder used in the board (material : Sn-Ag-Cu, melting point : 219 Centigrade)

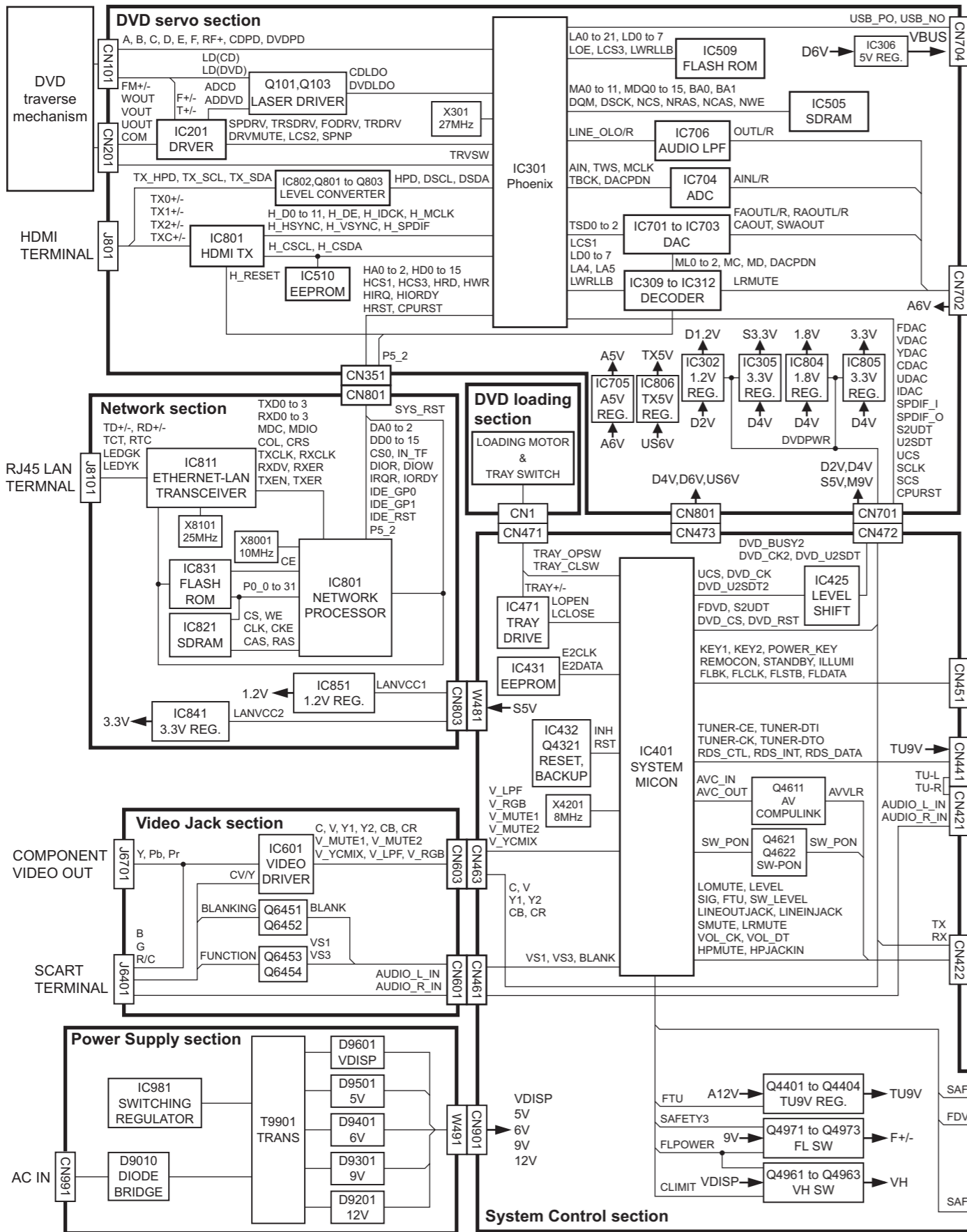
Contents

Block diagrams	2-1
Standard schematic diagrams	2-2
Printed circuit boards	2-14 to 18

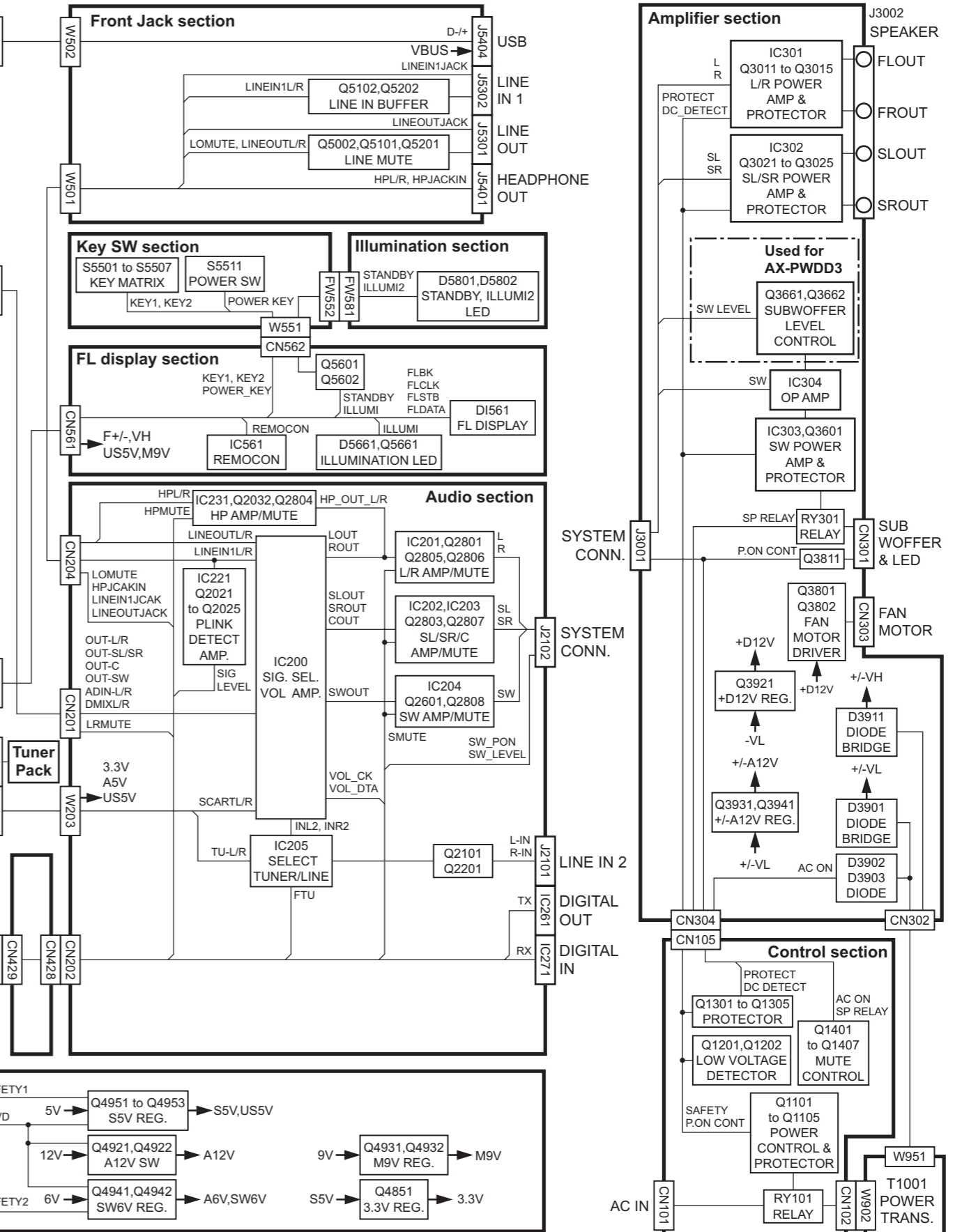
In regard with component parts appearing on the silk-screen printed side (parts side) of the PWB diagrams, the parts that are printed over with black such as the resistor (■), diode (▣) and ICP (●) or identified by the "▲" mark nearby are critical for safety.

Block diagram

<Main body section>

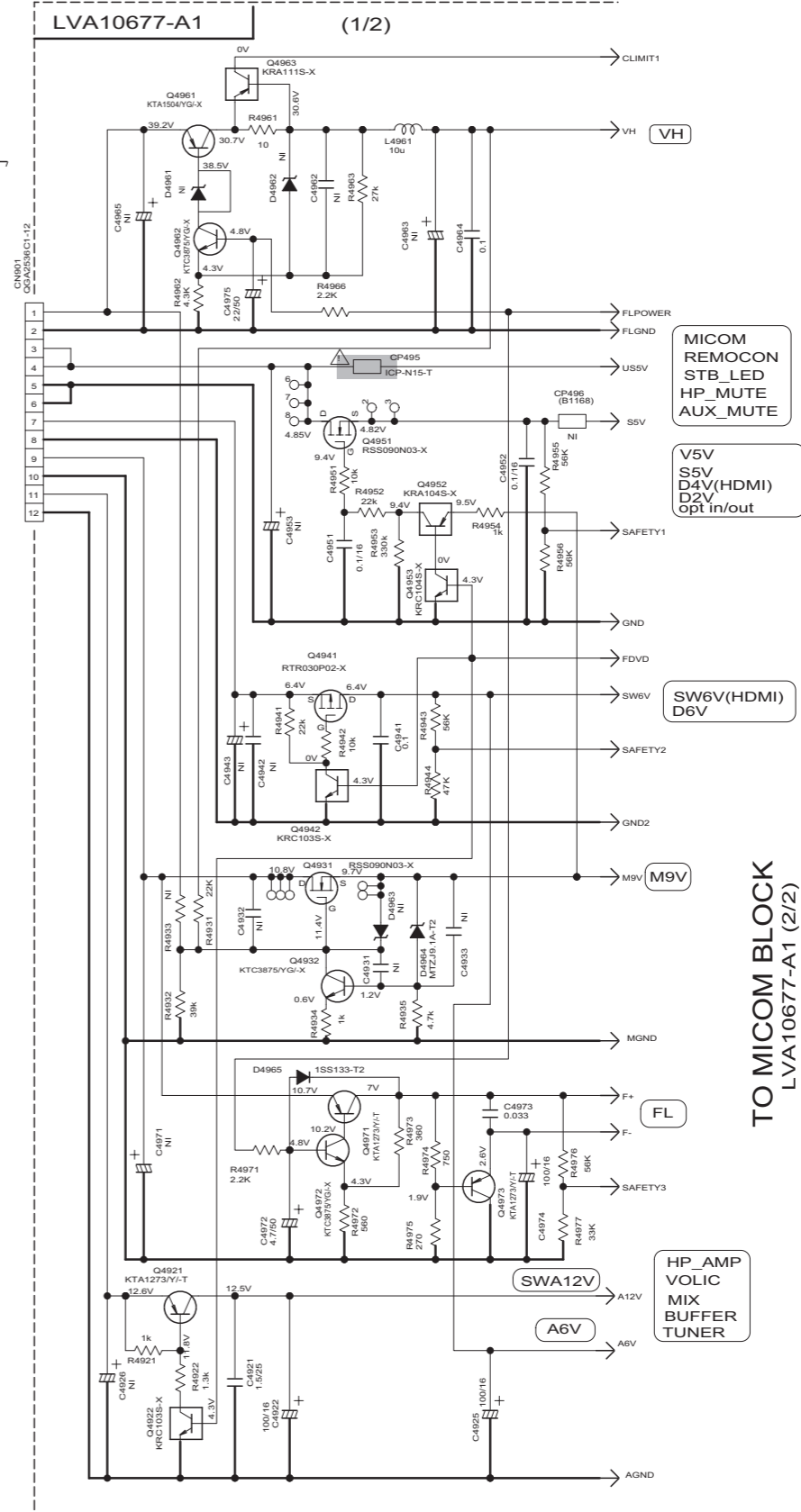
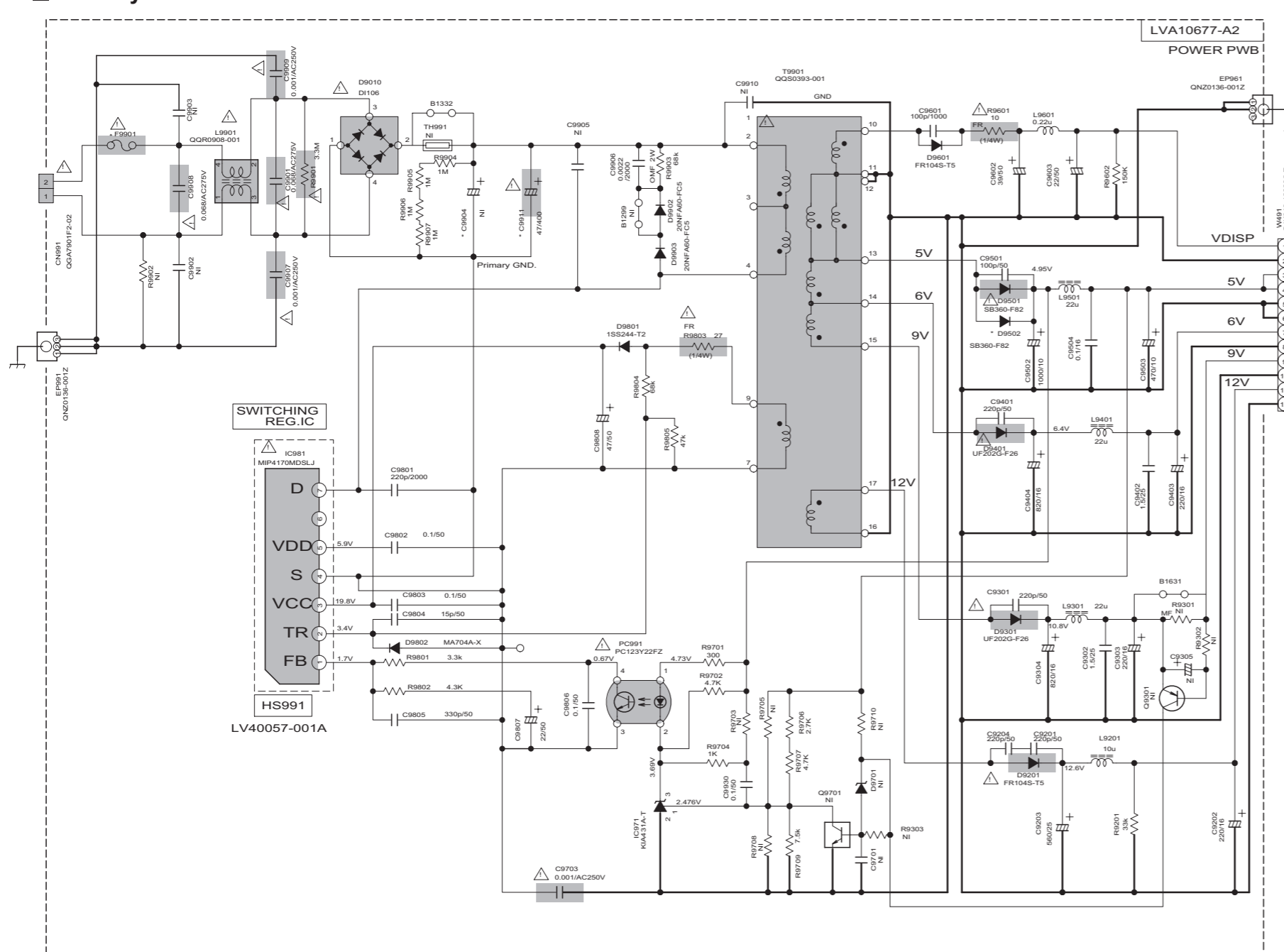


<Speaker AMP section>



Standard schematic diagrams

Primary section



Ver.J	120V 60Hz
Ver.B/E/EN/EE	230V 50Hz
Ver.UT/US/UX/UW	110-240V 50/60Hz
Ver.UF	220V 50Hz
Ver.A	240V 50Hz

Ver.	ADDRESS	J	A/B/E/EN/EE/UF	UT/US/UX/UW
*F9901	(2,A)	QMFZ059-1R0-E (1A-250V)	QMFZ059-1R0-E (T1AH 250V)	QMFZ059-2R5-E (T2.5AH 250V)
*C9904	(4,B)	---	---	QEZ0688-107 (100/400)
*C9911	(5,B)	QETM2DM-107 (100/200)	QEZ0685-476 (47/400)	---
*D9902	(8,C)	NOT USE	NOT USE	USE

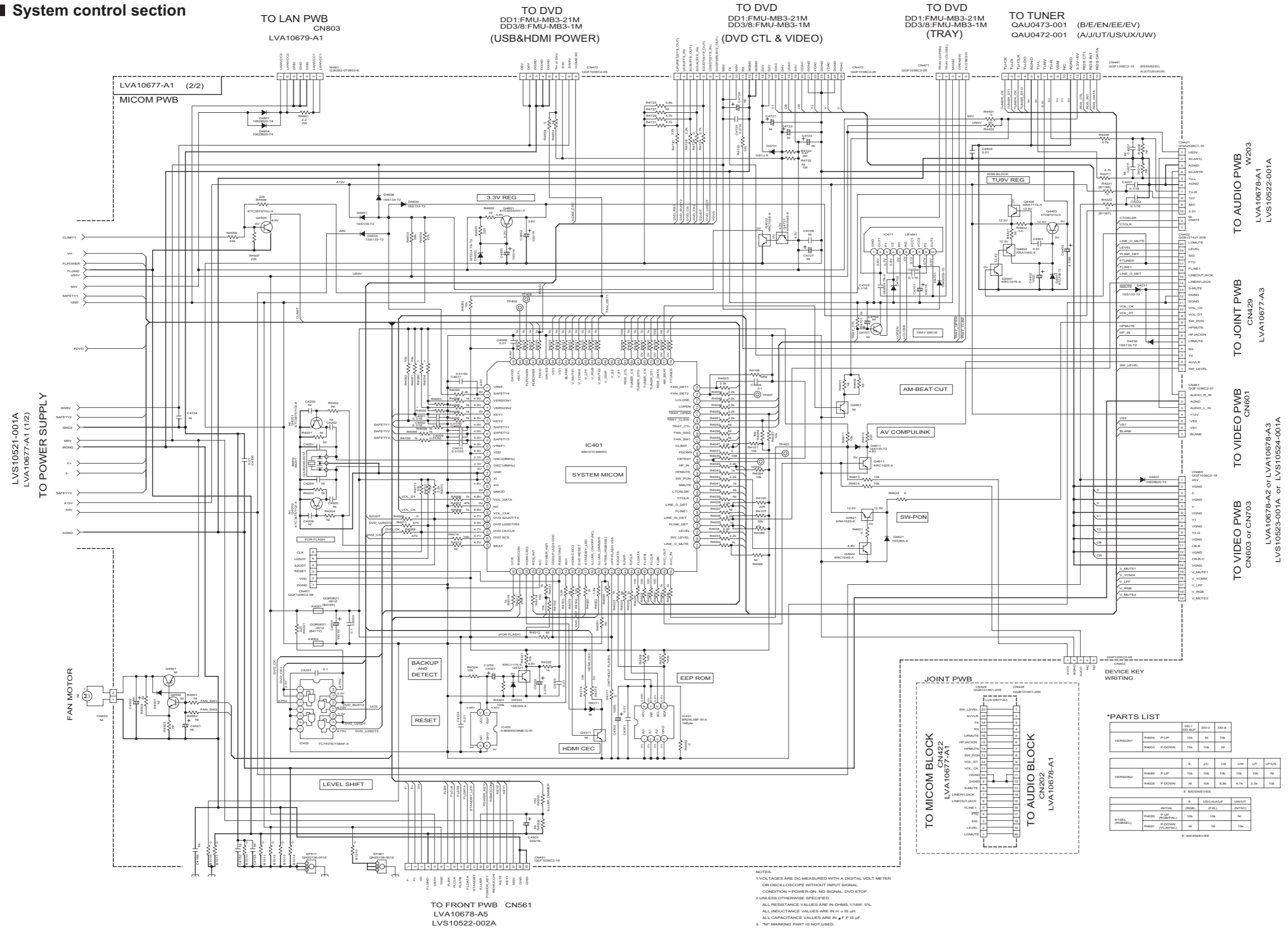
VERSION CODES
J : U.S.A.
C : CANADA
B : GREAT BRITAIN
UW : BRAZIL/MEXICO/PERU
UY : ARGENTINE
UU : USA MILITARY BASE
A : AUSTRALIA
US : SINGAPORE
UG : TURKEY/EGYPT/SOUTH AFRICA
UN : INDONESIA
UX : SAUDI ARABIA
UT : TAIWAN
UF : CHINA

NOTES:
 1. VOLTAGES ARE DC-MEASURED WITH A DIGITAL VOLT METER OR OSCILLOSCOPE WITHOUT INPUT SIGNAL. CONDITION -POWER-ON. SOURCE: DVD/CD. DVD STOP.
 2. UNLESS OTHERWISE SPECIFIED. ALL RESISTANCE VALUES ARE IN OHMS. 1/16W, 5%. ALL INDUCTANCE VALUES ARE IN H. u IS uH. ALL CAPACITANCE VALUES ARE IN uF. P IS pF.
 3. "NI" MARKING PART IS NOT USED.

Parts are safety assurance parts. When replacing those parts make sure to use the specified one.

TO MICOM BLOCK
LVA10677-A1 (2/2)

System control section



***PARTS LIST**

VERSION1	R4004	P-UP	10k	NI	10k
	R4003	P-DOWN	10k	10k	10k

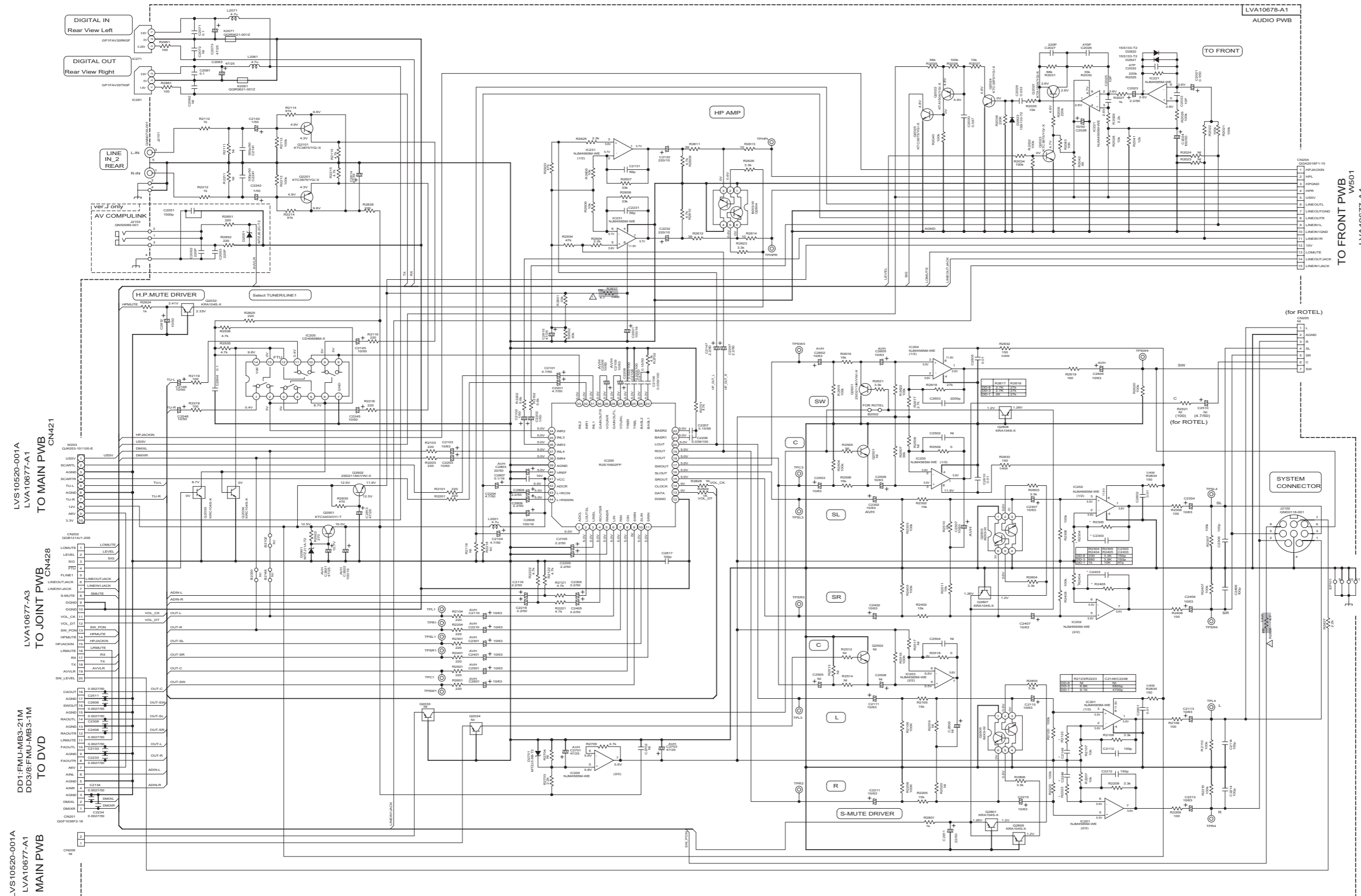
VERSION2	R4005	P-UP	10k	10k	10k	10k	10k	NI
	R4006 <th>P-DOWN</th> <td>NI</td> <td>10k</td> <td>5.6k</td> <td>4.7k</td> <td>3.3k</td> <td>10k</td>	P-DOWN	NI	10k	5.6k	4.7k	3.3k	10k

E:BIENEUSEE		E	USUKAASP	LIWUT
NTSEL (RGBSEL)	R4005	P-UP (INTERNAL)	10k	10k
	R4001	P-DOWN (INTERNAL)	NI	10k

E:BIENEUSEE

NOTES
 1.VOLTAGES ARE DC-MEASURED WITH A DIGITAL VOLT METER OR OSCILLOSCOPE WITHOUT INPUT SIGNAL. CONDITION -POWER-ON, NO SIGNAL DVD STOP.
 2.UNLESS OTHERWISE SPECIFIED, ALL RESISTANCE VALUES ARE IN OHMS, 1%TOL, 5%. ALL INDUCTANCE VALUES ARE IN H, U IS μH.
 3. *P MARKING PART IS NOT USED.

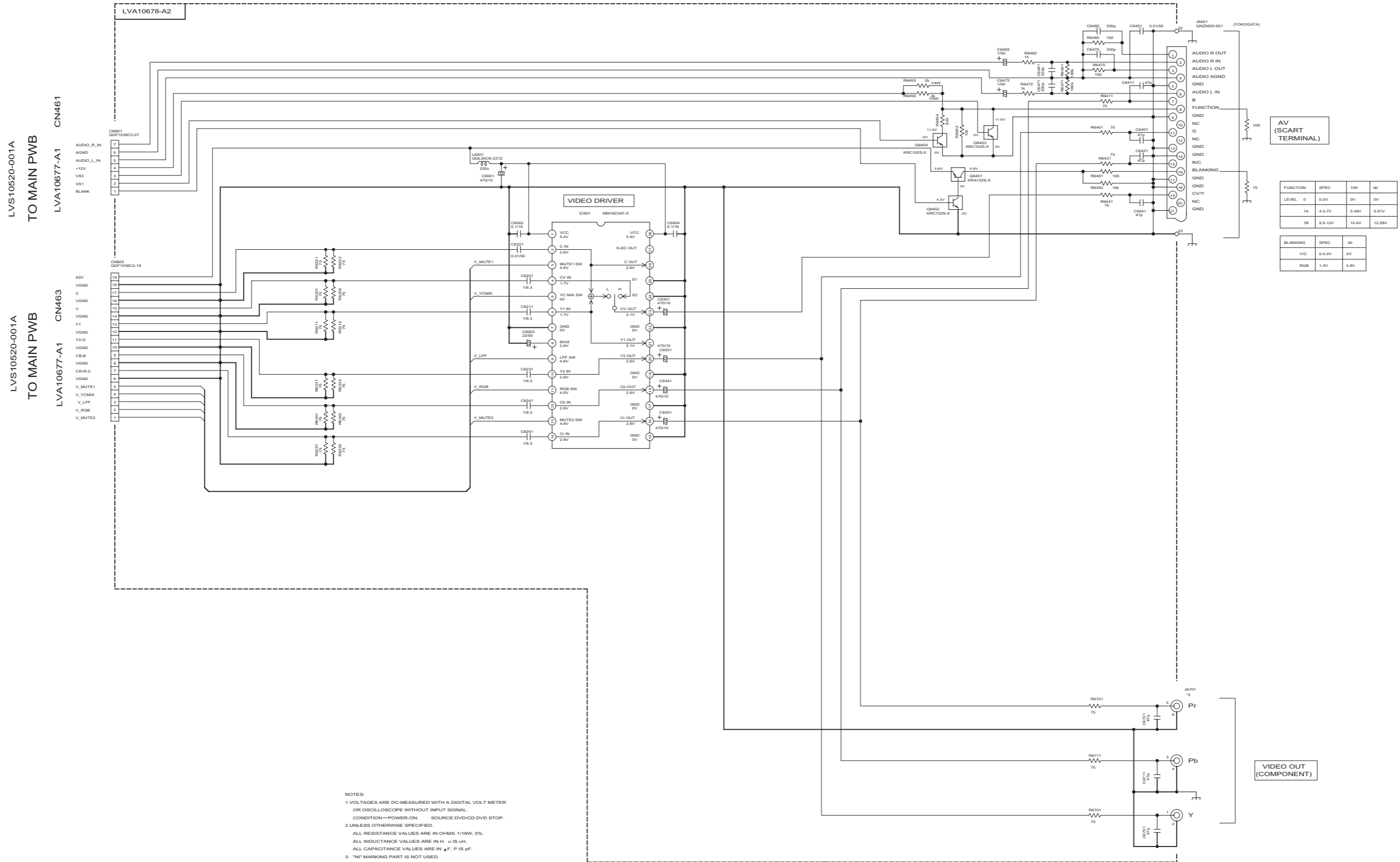
Audio section



NOTES: 1. VOLTAGES ARE DC-MEASURED WITH A DIGITAL VOLT METER OR OSCILLOSCOPE WITHOUT INPUT SIGNAL. CONDITION—POWER-ON, NO SIGNAL, DVD STOP. 2. UNLESS OTHERWISE SPECIFIED. ALL RESISTANCE VALUES ARE IN OHMS. 1/16W, 5%. ALL INDUCTANCE VALUES ARE IN H. 4 IS μH. ALL CAPACITANCE VALUES ARE IN nF. P IS pF. 3. "TR" MARKING PART IS NOT USED.

⚠ Parts are safety assurance parts. When replacing those parts make sure to use the specified one.

Video section



FUNCTION	SPEC	10K	∞
LEVEL 0	0-2V	0V	0V
1A	4.5-7V	5.49V	5.91V
1B	9.5-12V	10.4V	12.08V

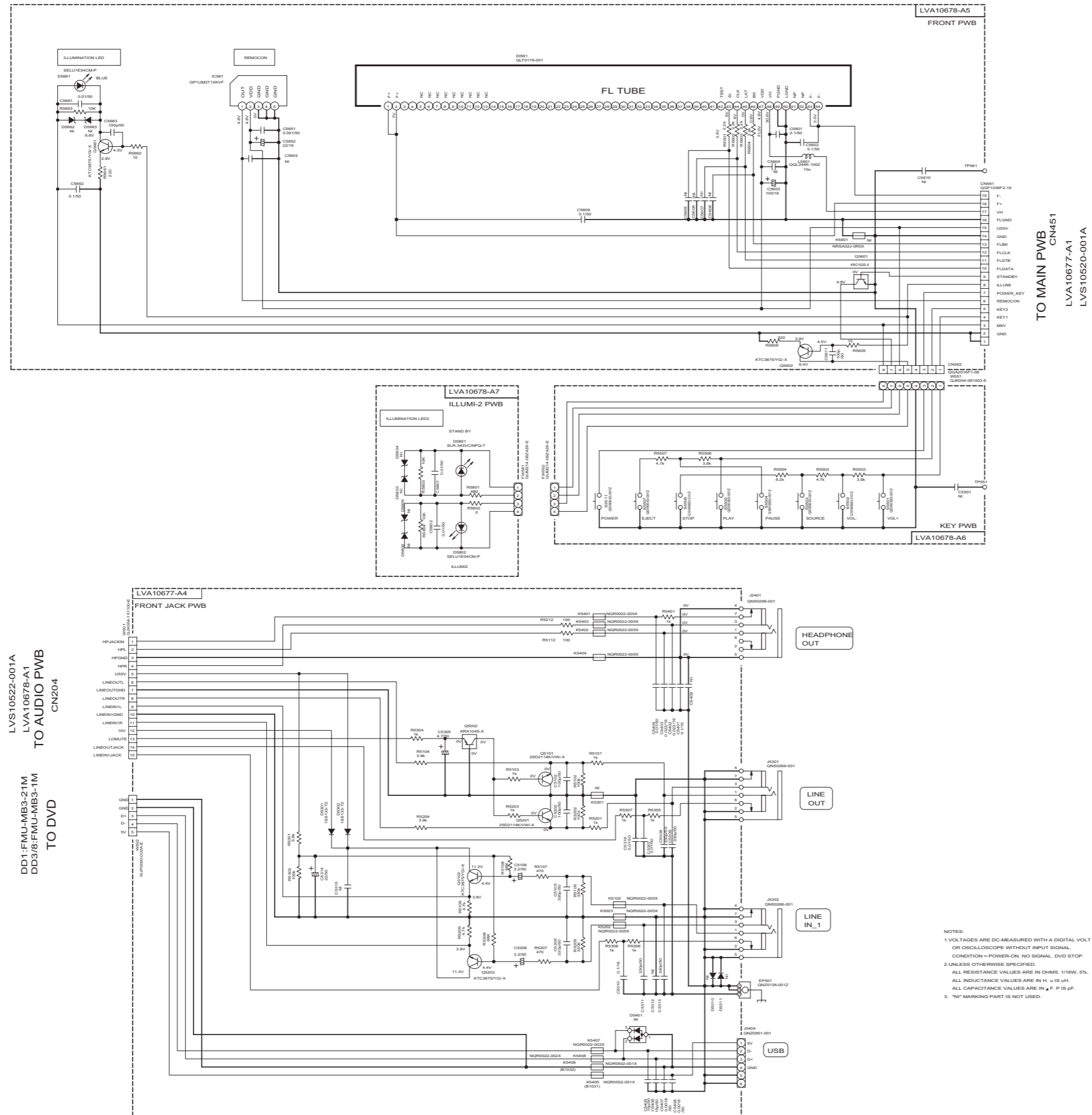
BLANKING	SPEC	∞
YC	0-0.4V	0V
RGB	1-3V	4.9V

NOTES:
 1. VOLTAGES ARE DC-MEASURED WITH A DIGITAL VOLT METER OR OSCILLOSCOPE WITHOUT INPUT SIGNAL. CONDITION=POWER-ON. SOURCE=DVD/CD/DVD STOP.
 2. UNLESS OTHERWISE SPECIFIED, ALL RESISTANCE VALUES ARE IN OHMS, 1/10W, 5%. ALL INDUCTANCE VALUES ARE IN H. μ IS μ H. ALL CAPACITANCE VALUES ARE IN μ F. P IS pF.
 3. "N" MARKING PART IS NOT USED.

*2 PARTS LIST

MODEL	J#701
DD-1	QNN0572-001
DD-3/DD-8	QNN0675-001

■ Front section

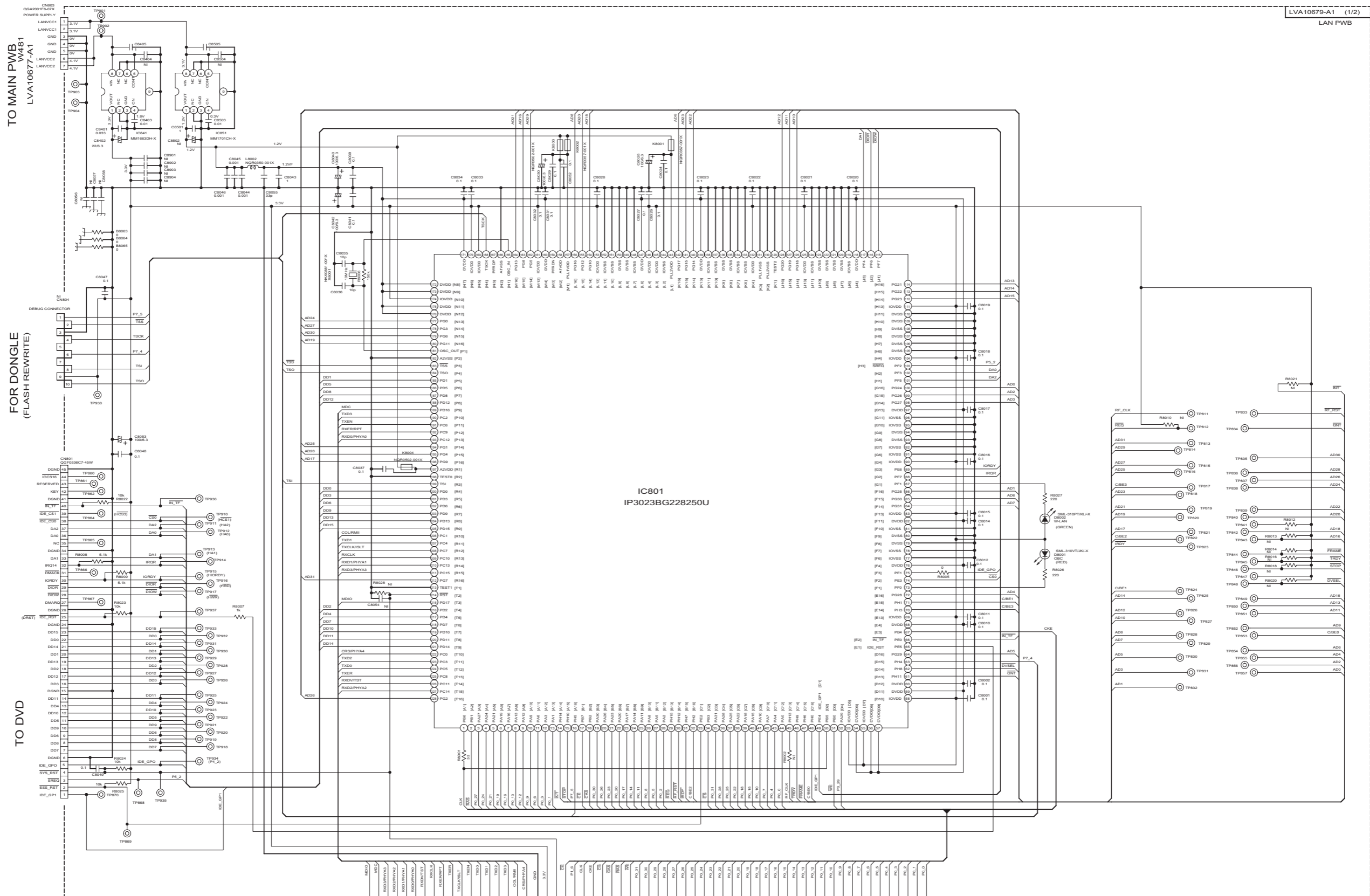


TO MAIN PWB
CN451
LVA10677-A1
LVS10520-001A

LVS10522-001A
LVA10678-A1
TO AUDIO PWB
CN204
DD1-FMU-MB3-21M
DD3/8-FMU-MB3-1M
TO DVD

- NOTES:
1. VOLTAGES ARE DC-MEASURED WITH A DIGITAL VOLT METER OR OSCILLOSCOPE WITHOUT INPUT SIGNAL. CONDITION=POWER-ON, NO SIGNAL, DVD STOP.
 2. UNLESS OTHERWISE SPECIFIED, ALL RESISTANCE VALUES ARE IN OHMS, 1/16W, 5%. ALL INDUCTANCE VALUES ARE IN H, u IS uH. ALL CAPACITANCE VALUES ARE IN pF, P IS pF.
 3. "M" MARKING PART IS NOT USED.

Network section (1/2)

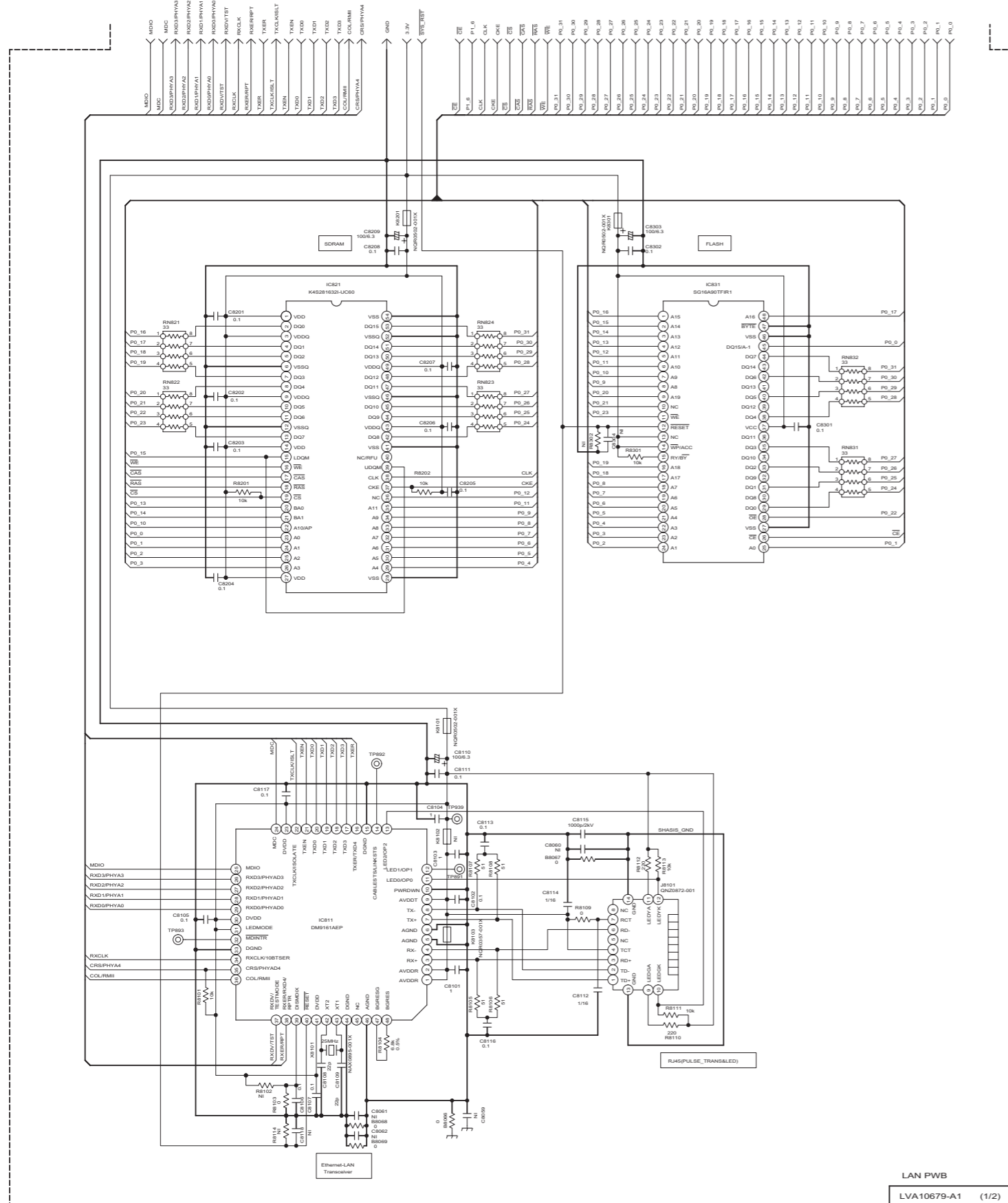


NOTES:
 1. VOLTAGES ARE DC-MEASURED WITH A DIGITAL VOLT METER OR OSCILLOSCOPE WITHOUT INPUT SIGNAL. CONDITION - POWER-ON, SOURCE-DVDD, DVD STOP.
 2. UNLESS OTHERWISE SPECIFIED, ALL RESISTANCE VALUES ARE IN OHMS, 1/10W, 5%. ALL INDUCTANCE VALUES ARE IN H, u IS uH. ALL CAPACITANCE VALUES ARE IN p, P IS pF. RATING VOLTAGE OF ALL CERAMIC OR FILM CAPACITORS ARE 50V.
 3. "N" MARKING PART IS NOT USED.

TO LVA10679-A1 (SHEET 2/2)

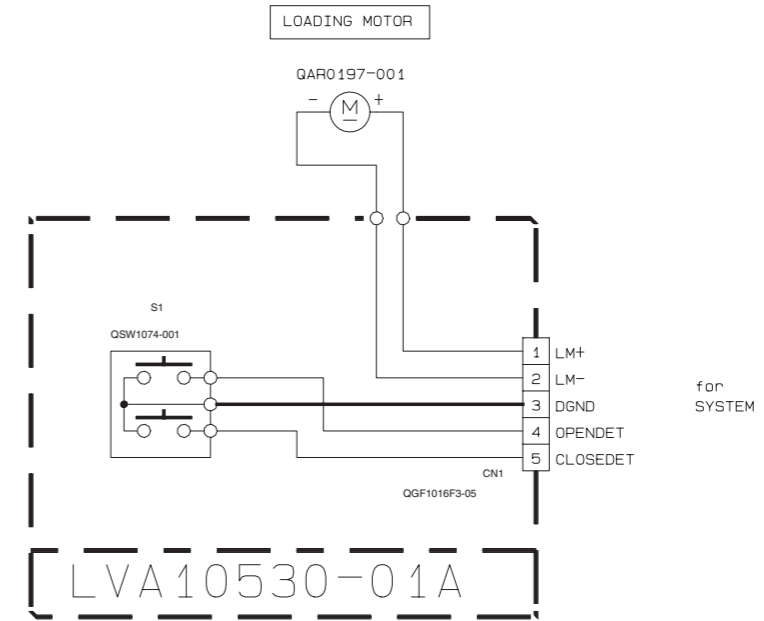
Network section (2/2)

TO LVA10679-A1 (SHEET 1/2)



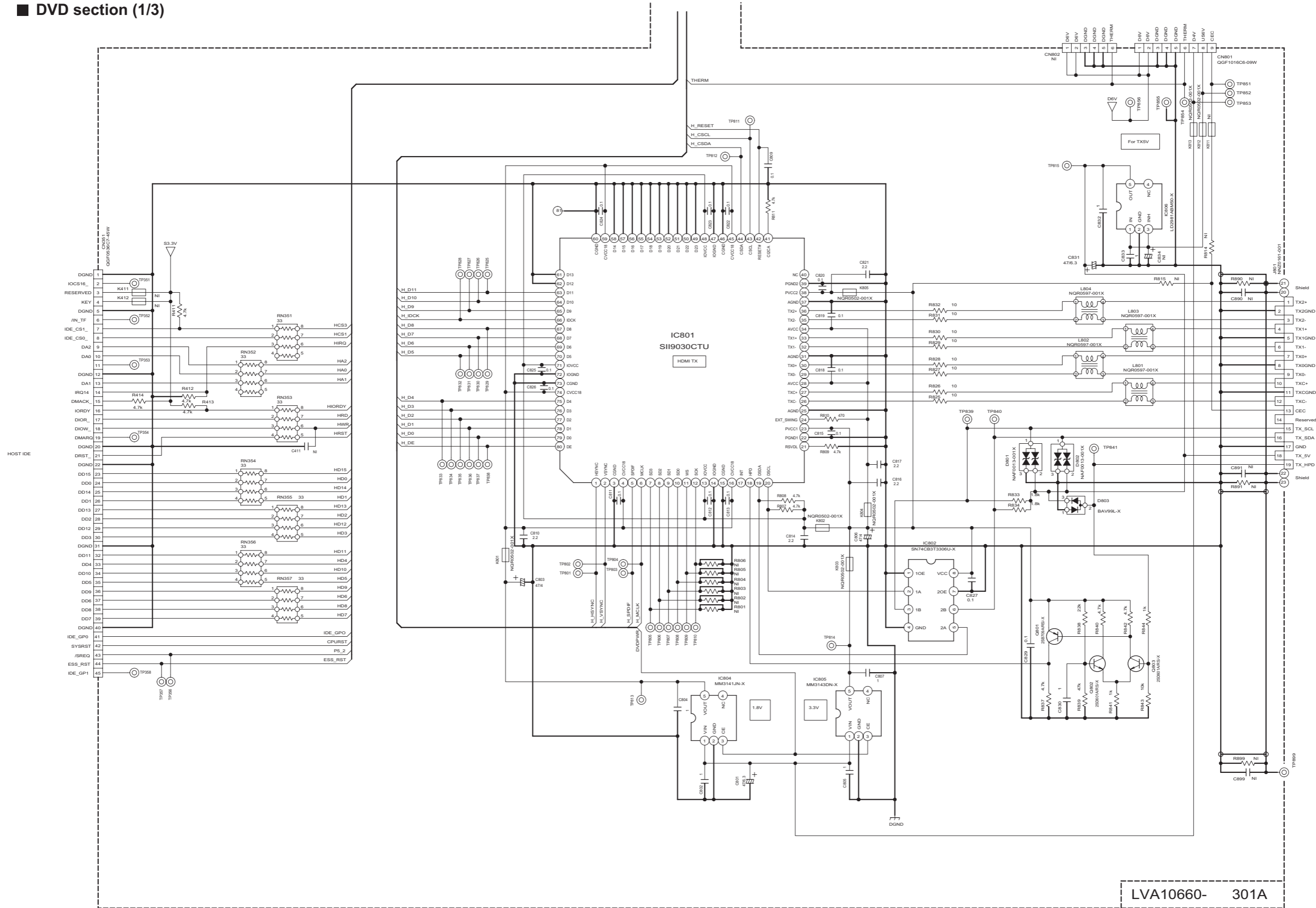
LAN PWB
LVA10679-A1 (1/2)

DVD loader section

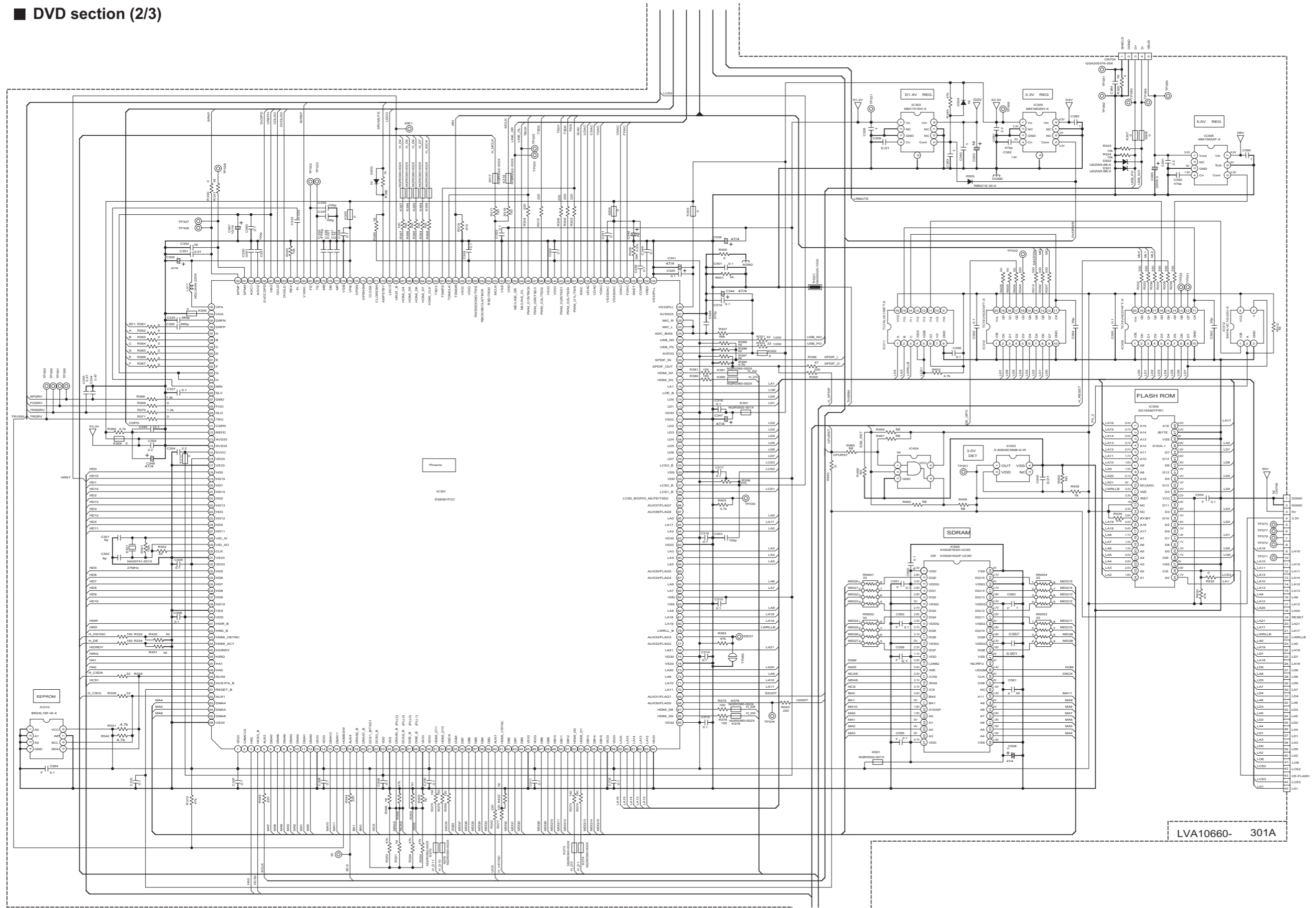


- NOTES:
- VOLTAGES ARE DC-MEASURED WITH A DIGITAL VOLT METER OR OSCILLOSCOPE WITHOUT INPUT SIGNAL. CONDITION #POWER-ON, SOURCE-DVDCD.DVD STOP.
 - UNLESS OTHERWISE SPECIFIED. ALL RESISTANCE VALUES ARE IN OHMS. 1/16W, 5%. ALL INDUCTANCE VALUES ARE IN H. u IS uH. ALL CAPACITANCE VALUES ARE IN u F. P IS pF. RATING VOLTAGE OF ALL CERAMIC OR FILM CAPACITORS ARE 50V.
 - "N" MARKING PART IS NOT USED.

■ DVD section (1/3)

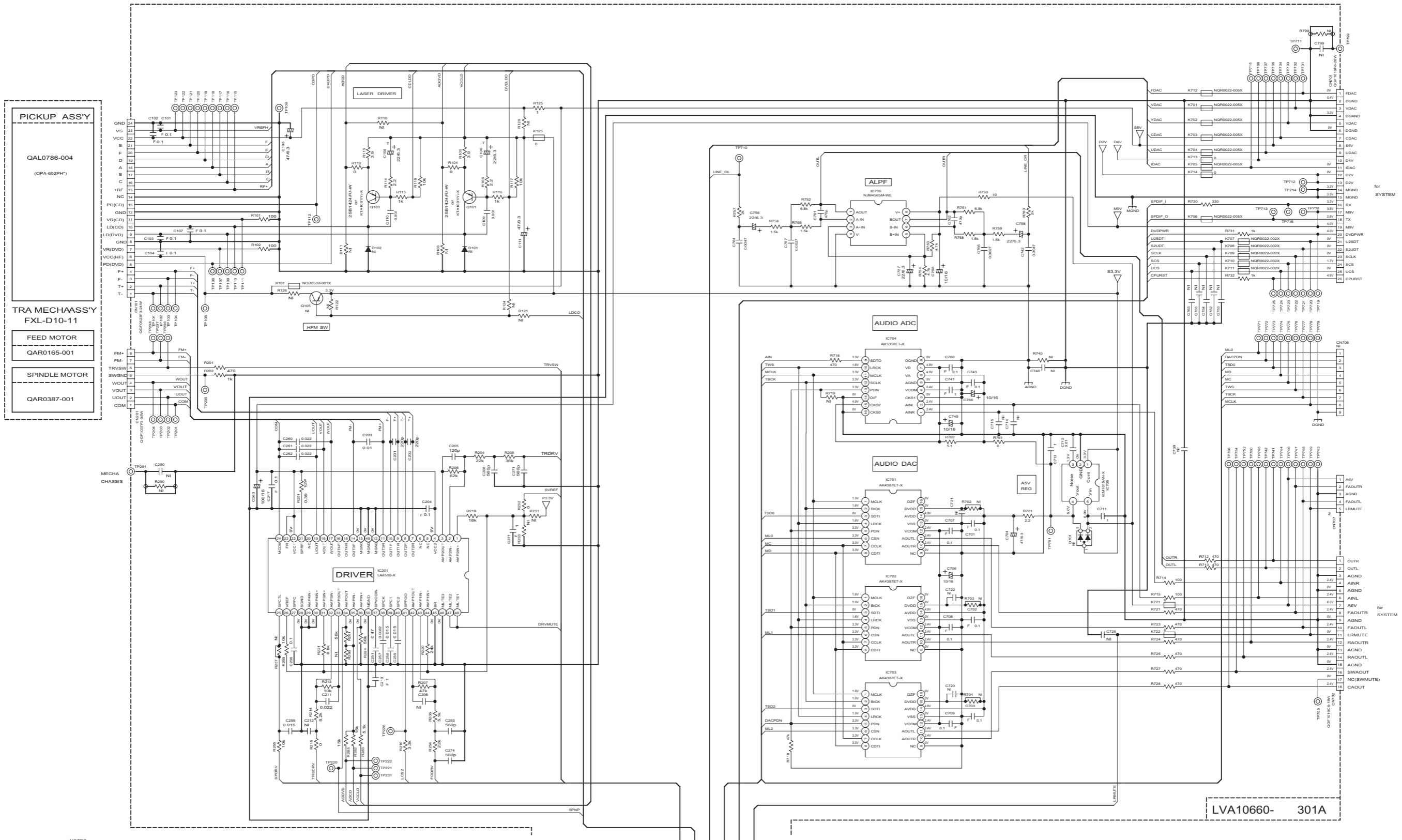


DVD section (2/3)



LVA10660- 301A

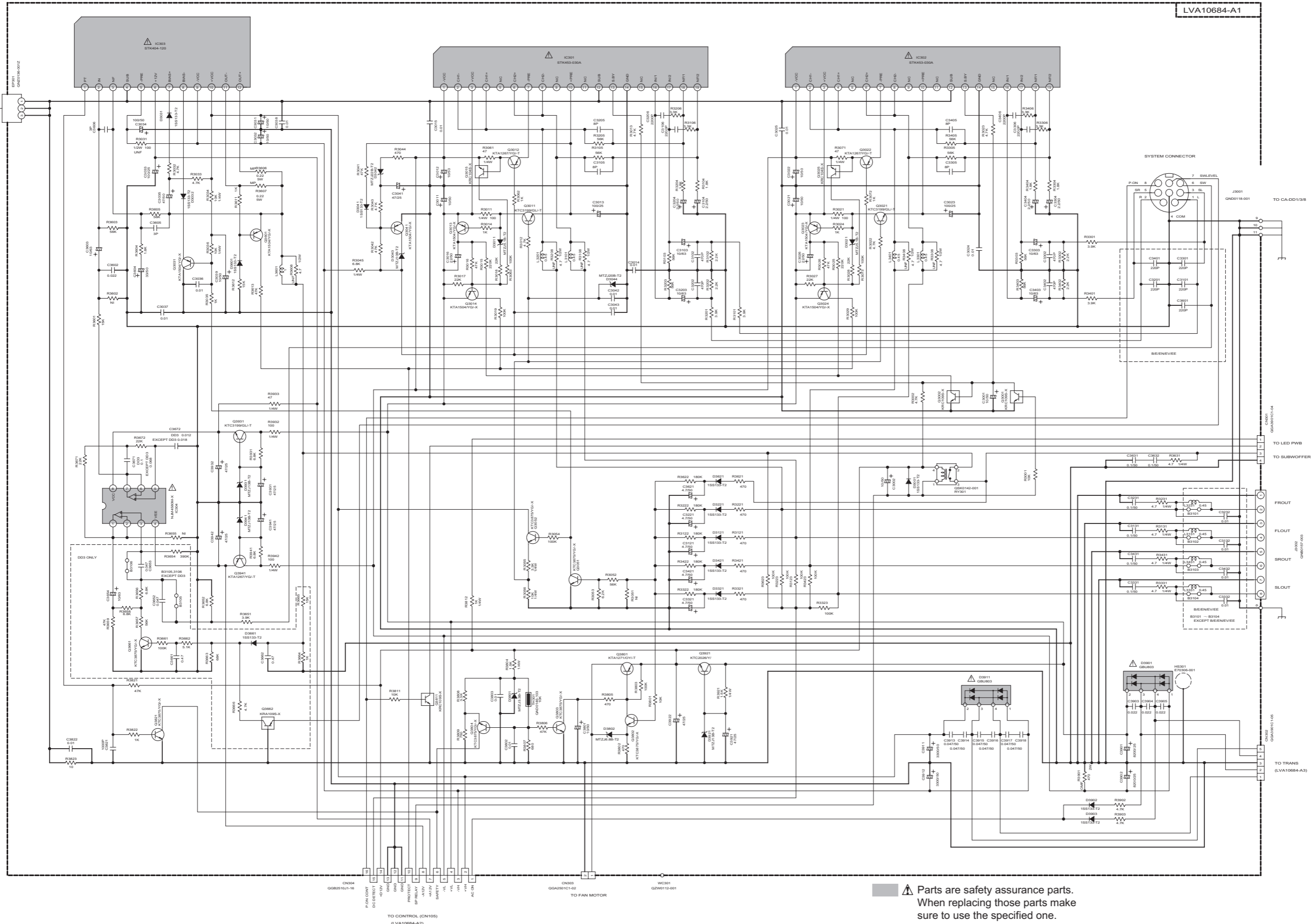
■ DVD section (3/3)



NOTES

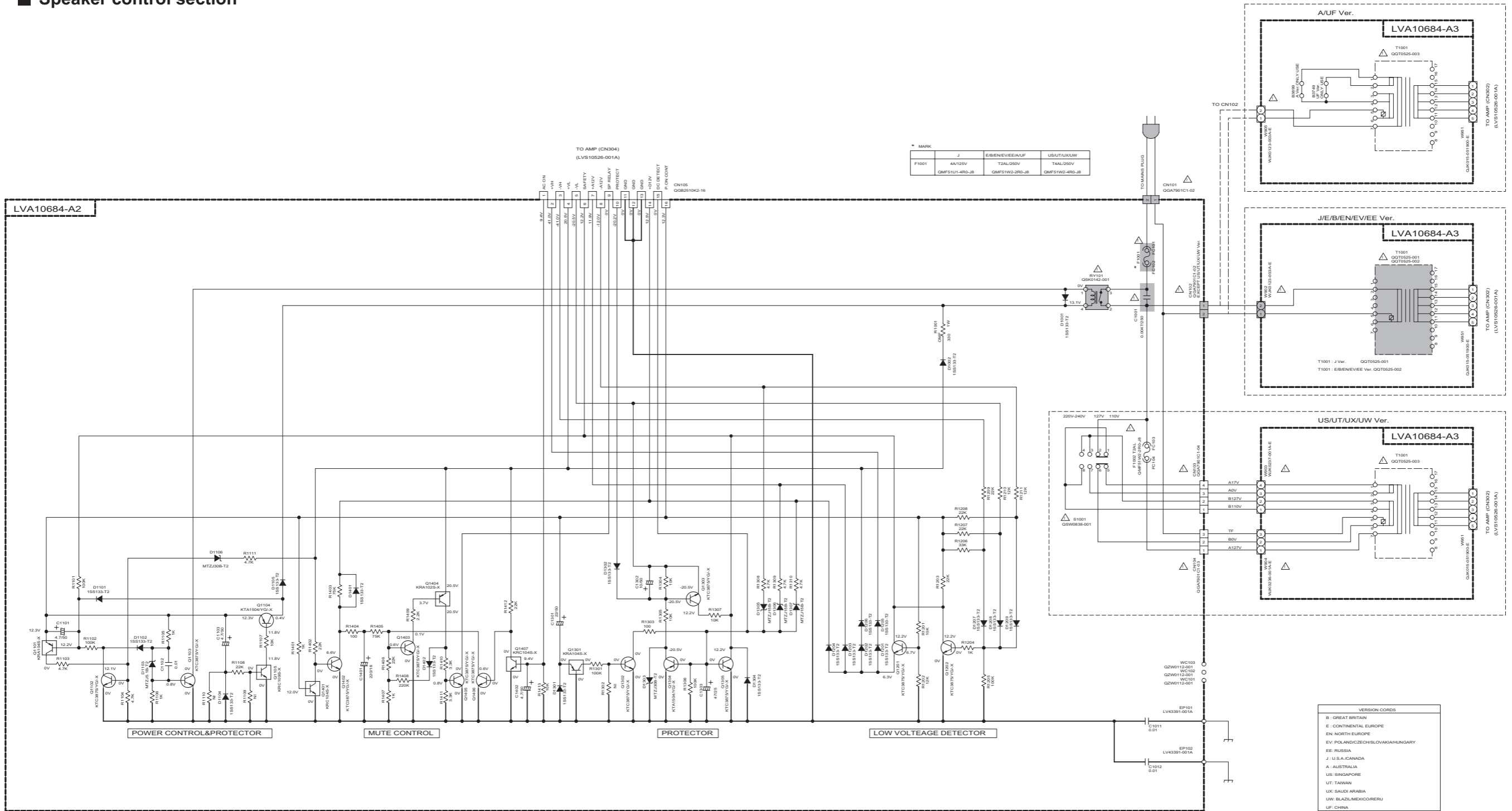
- VOLTAGES ARE DC-MEASURED WITH A DIGITAL VOLT METER WITHOUT INPUT SIGNAL. CONDITION — A DVD disc in the Tray, and STOP mode.
- UNLESS OTHERWISE SPECIFIED.
 ALL RESISTORS ARE 1/16W 5% METAL GLAZE RESISTOR OR 0.5% METAL GLAZE RESISTOR.
 ALL CAPACITORS ARE 50V, 25V, 10V, 16V, or 6.3V CERAMIC CAPACITOR.
 ALL RESISTANCE VALUES ARE IN OHM (Ω).
 ALL CAPACITANCE VALUES ARE IN pF (pF).
 ALL E-CAPACITORS ARE SHOWN IN THE FORM OF CAPACITANCE (μF) RATED VOLTAGE (V).
 ALL INDUCTANCE VALUES ARE IN μH (mH).
- NI STANDS FOR NOT INSERTED PARTS.

Speaker amplifier section



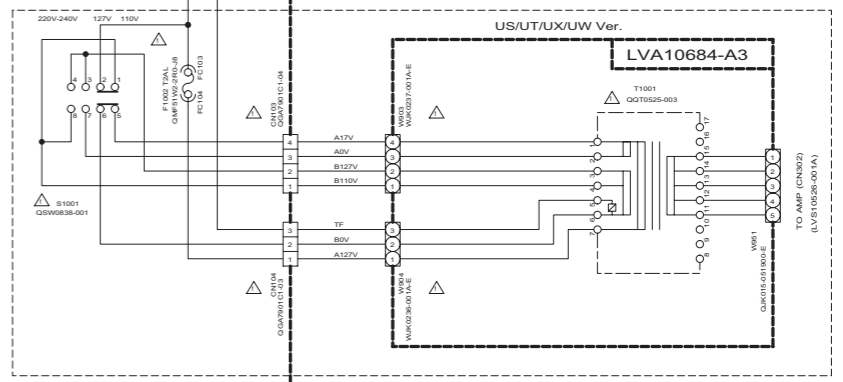
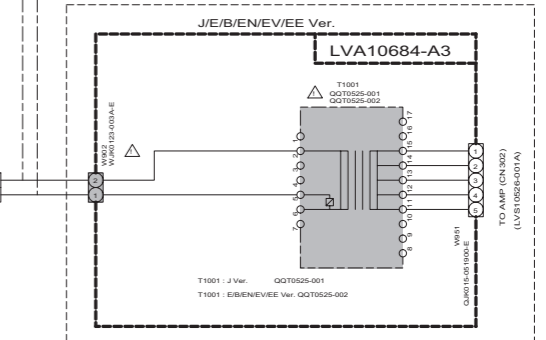
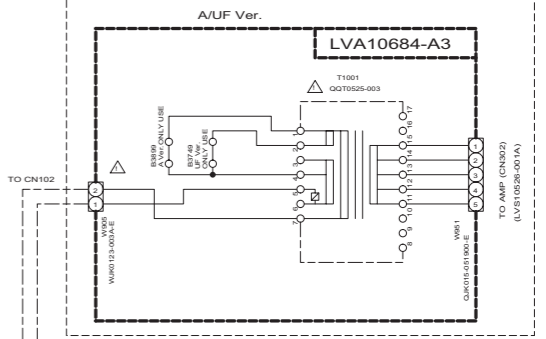
Parts are safety assurance parts.
 When replacing those parts make
 sure to use the specified one.

Speaker control section



MARK

J	E/BENEVEE/UF	US/UT/LX/UW
F1001	4A/125V QMF51U1-4R0-JB	T2AL/250V QMF51W2-2R0-JB T4AL/250V QMF51W2-4R0-JB



VERSION CORDS

- B : GREAT BRITAIN
- E : CONTINENTAL EUROPE
- EN : NORTH EUROPE
- EV : POLAND,CZECH,SLOVAKIA,HUNGARY
- EE : RUSSIA
- J : U.S.A./CANADA
- A : AUSTRALIA
- US : SINGAPORE
- UT : TAIWAN
- UX : SAUDI ARABIA
- UW : BLAZIL,MEXICO,PERU
- UF : CHINA

NOTES

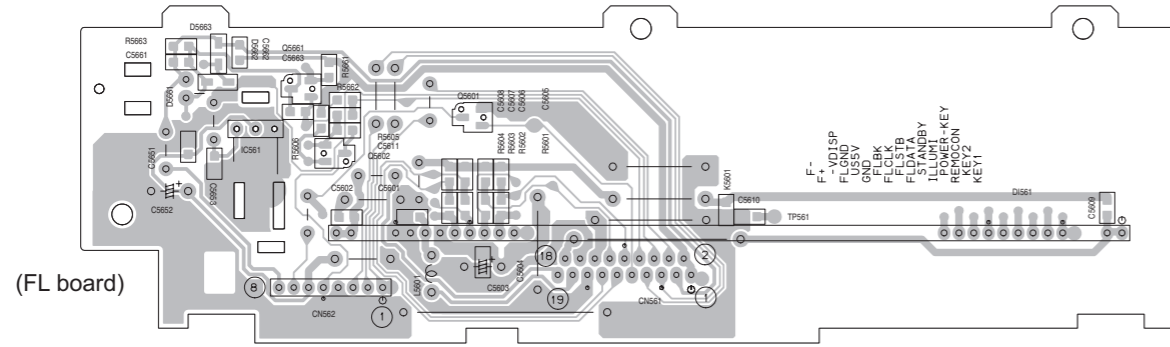
- VOLTAGES ARE DC-MEASURED WITH A DIGITAL VOLT METER WITHOUT INPUT SIGNAL. CONDITION - CONNECTED CA-DD13/8 FUNCTION DVD STOP
- UNLESS OTHERWISE SPECIFIED. RESISTORS ARE 1/16W ± 5% METAL GLAZE RESISTOR. ALL RESISTANCE VALUES ARE IN OHM (Ω). ALL CAPACITORS ARE CERAMIC CAPACITOR OR MYLAR CAPACITOR. ALL CAPACITANCE VALUES ARE IN pF (pF). ALL INDUCTANCE VALUES ARE IN mH (mH). ALL E. CAPACITORS ARE SHOWN IN THE FORM OF CAPACITANCE (μF) RATED VOLTAGE(V).

	R1	R2
KRC104S-X	47K	47K
KRC109S-X	47K	22K

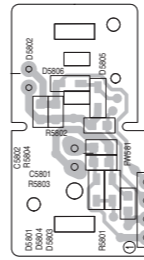
	R1	R2
KRA102S-X	10K	10K
KRA104S-X	47K	47K

⚠ Parts are safety assurance parts. When replacing those parts make sure to use the specified one.

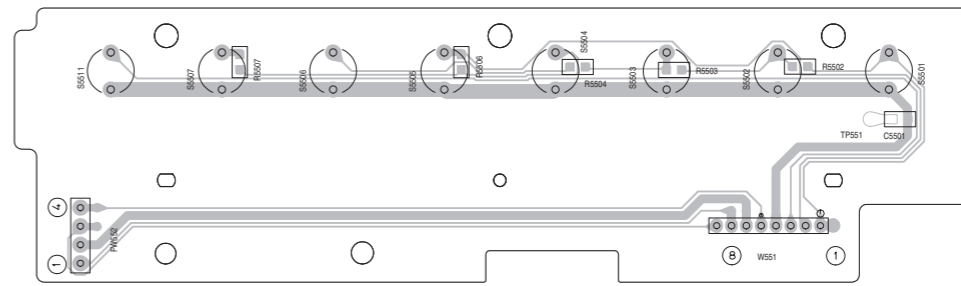
■ **Audio board** Lead free solder used in the board (material : Sn-Ag-Cu, melting point : 219 Centigrade)



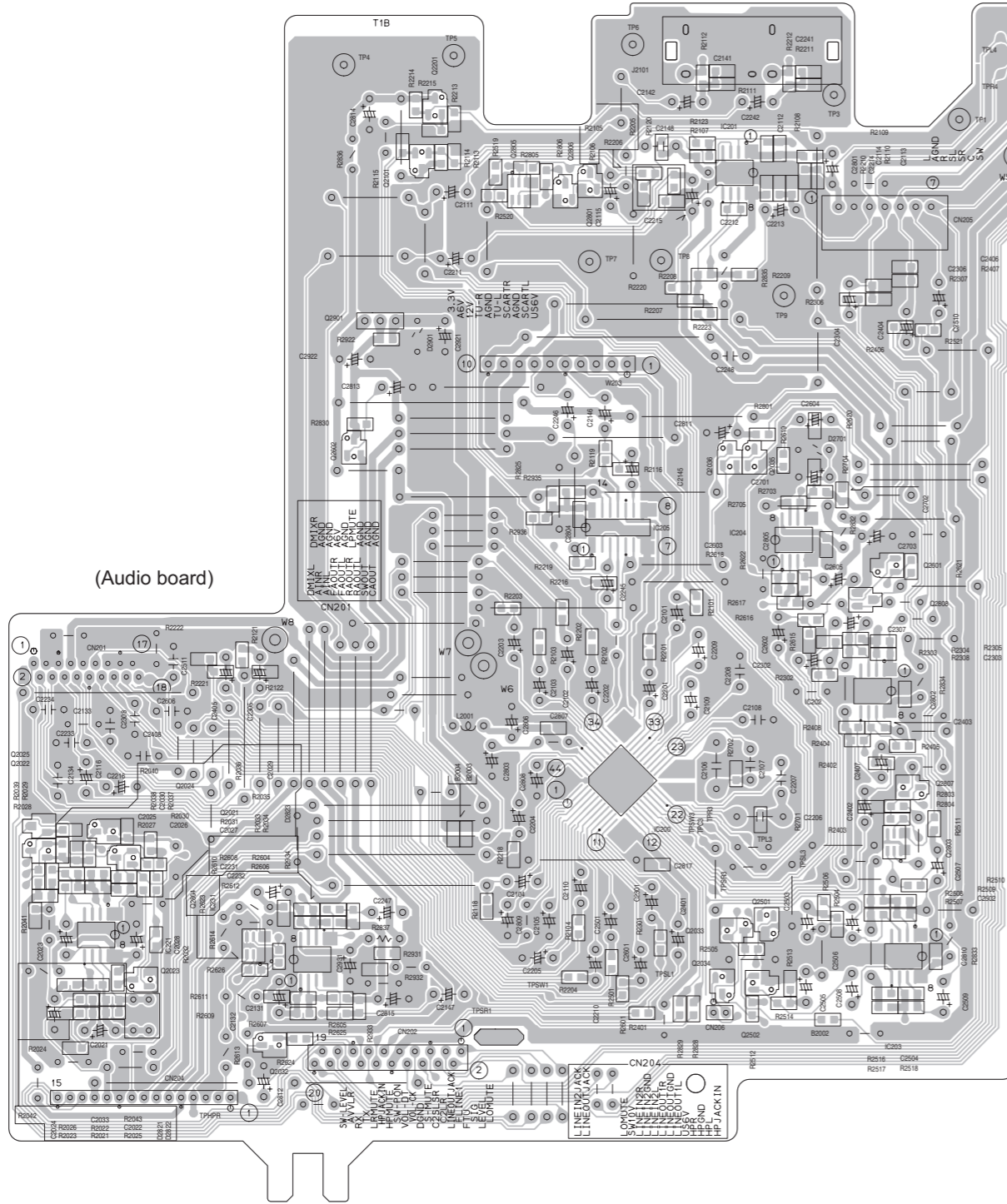
(LED board)



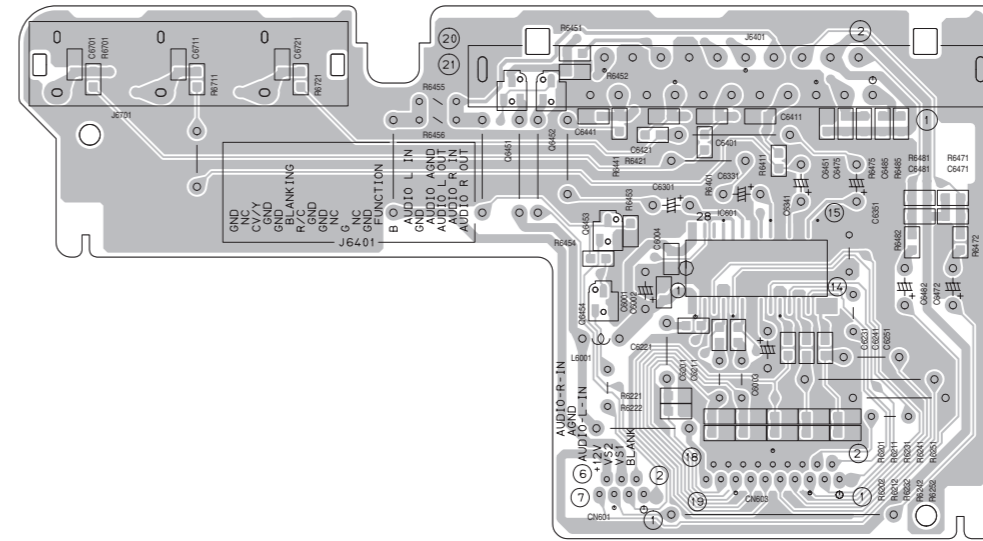
(Key board)



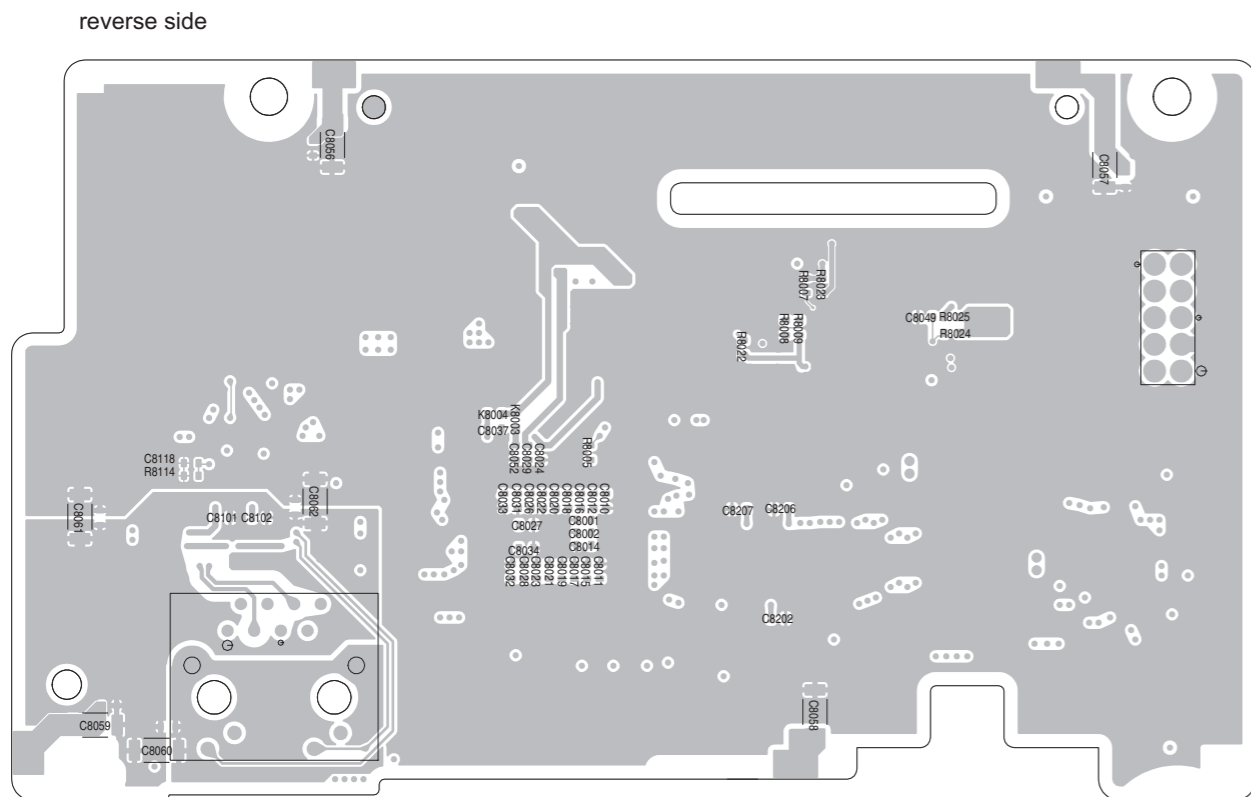
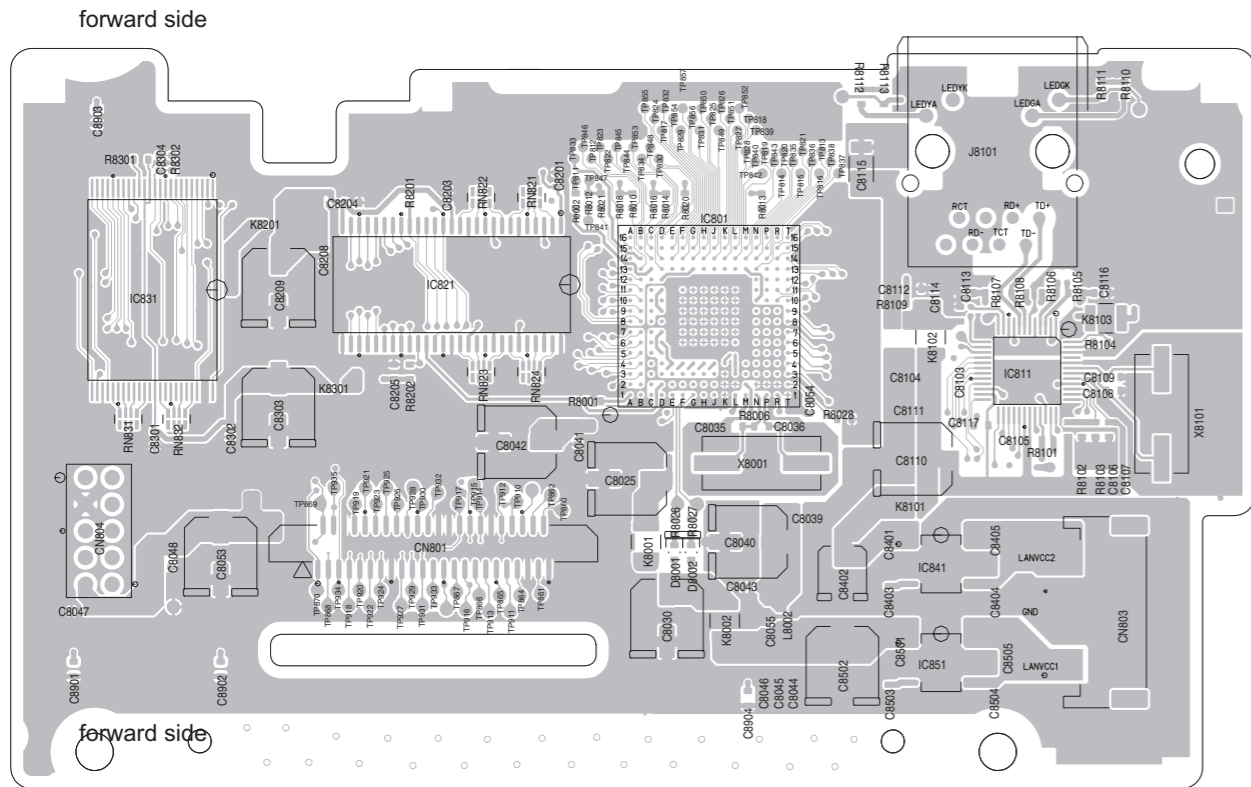
(Audio board)



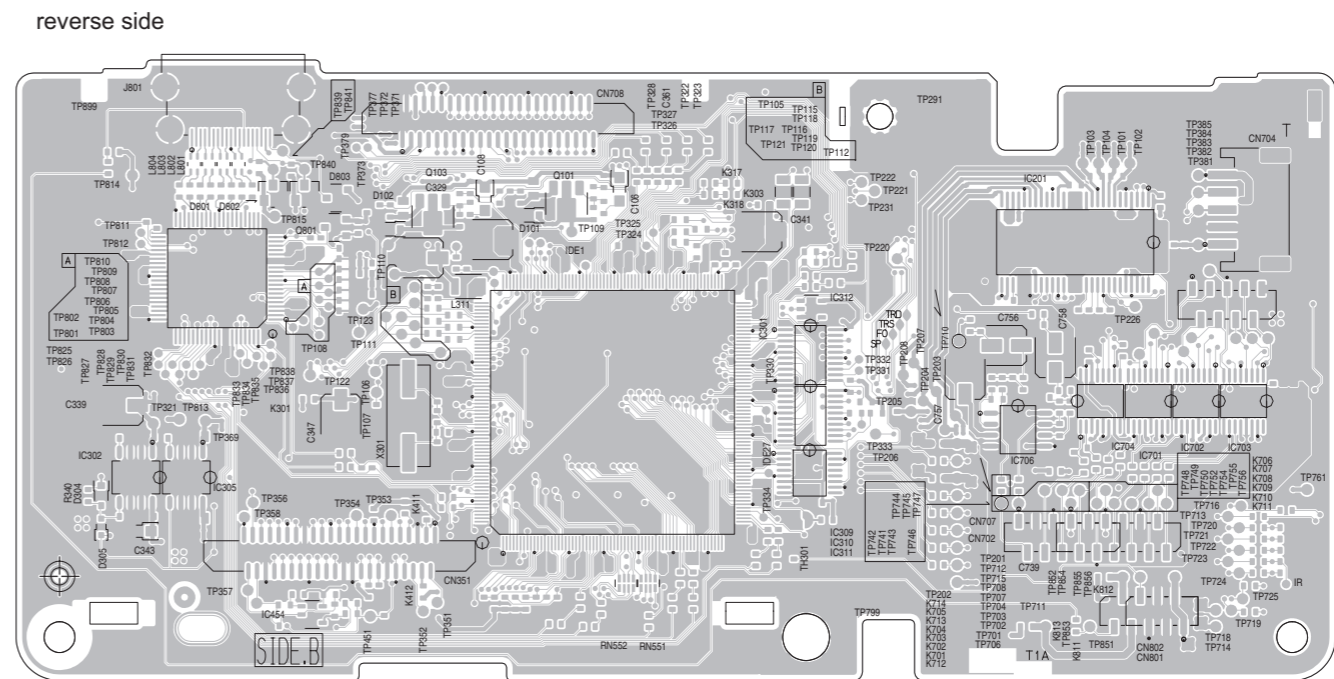
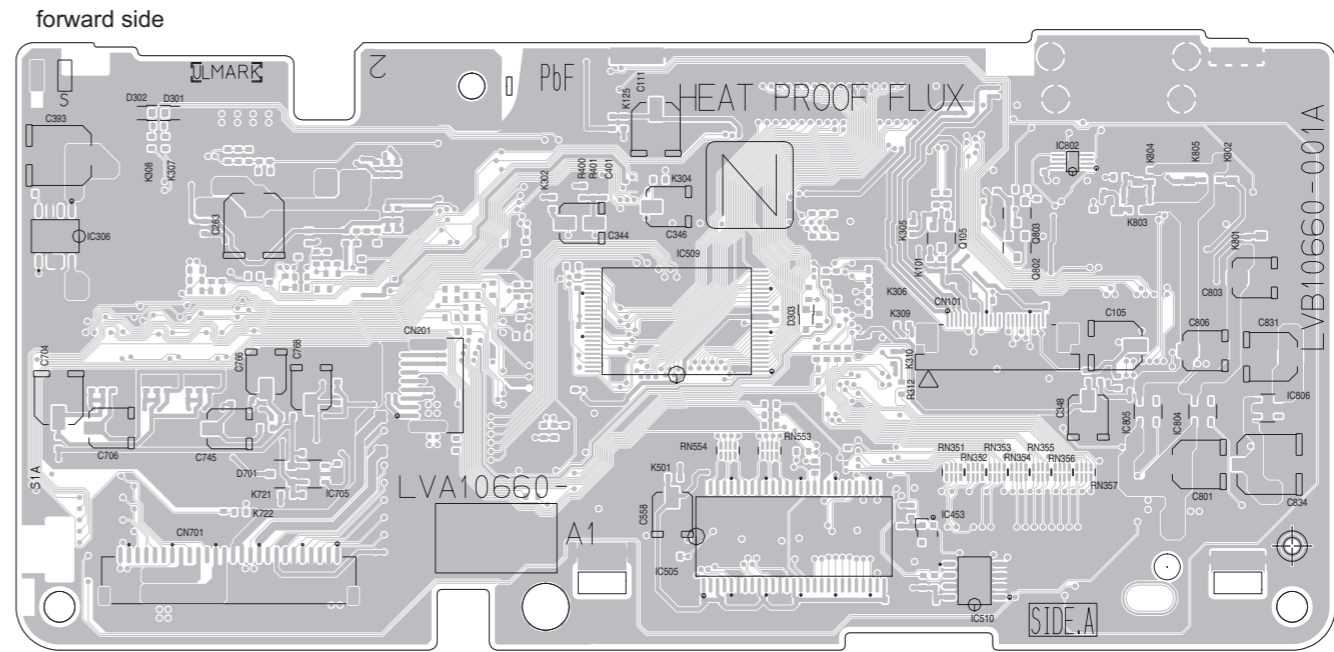
(Video board)



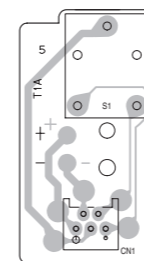
■ LAN board Lead free solder used in the board (material : Sn-Ag-Cu, melting point : 219 Centigrade)



■ DVD board Lead free solder used in the board (material : Sn-Ag-Cu, melting point : 219 Centigrade)

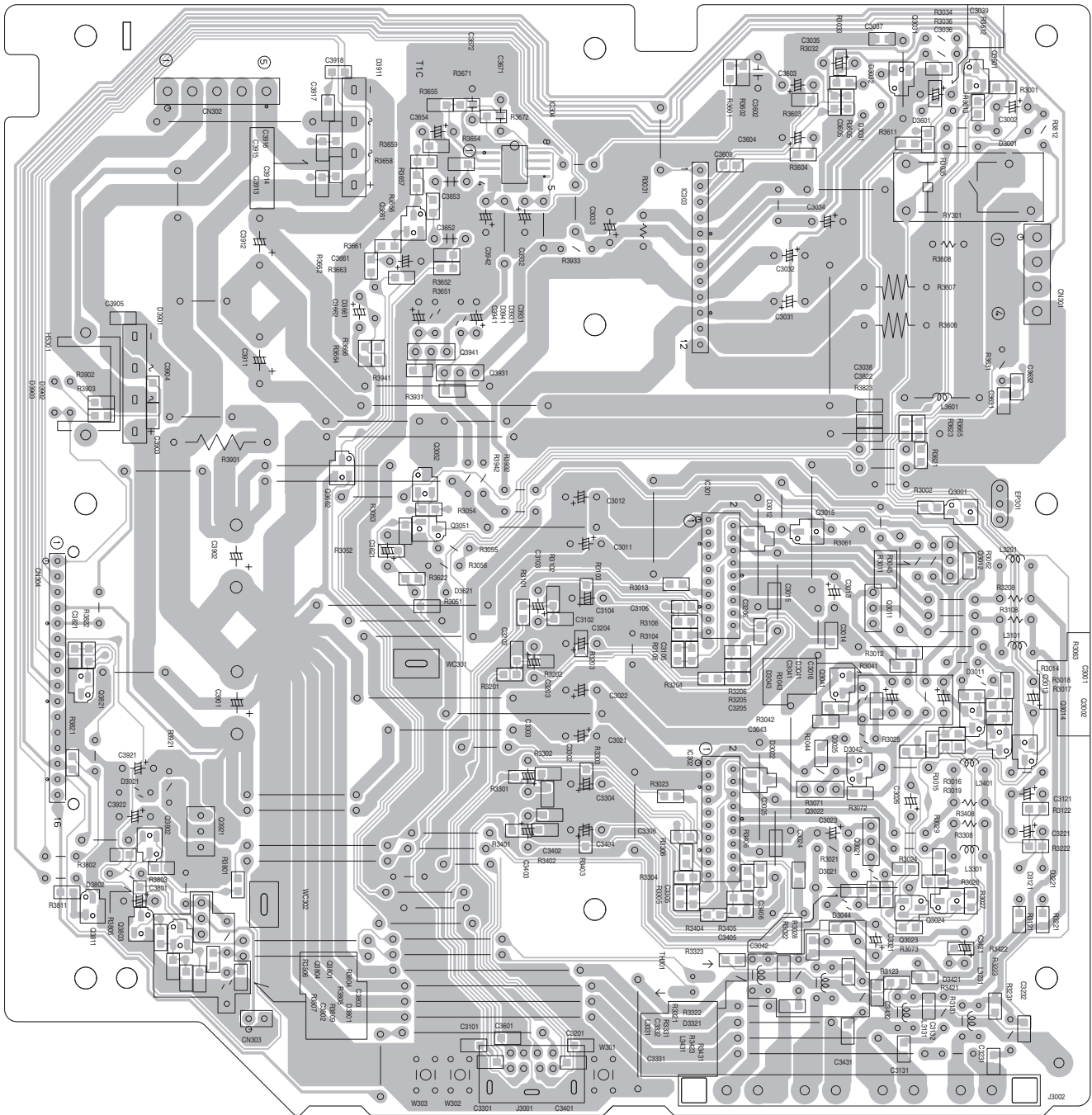


■ Loader board Lead free solder used in the board (material : Sn-Ag-Cu, melting point : 219 Centigrade)



Speaker amplifier board

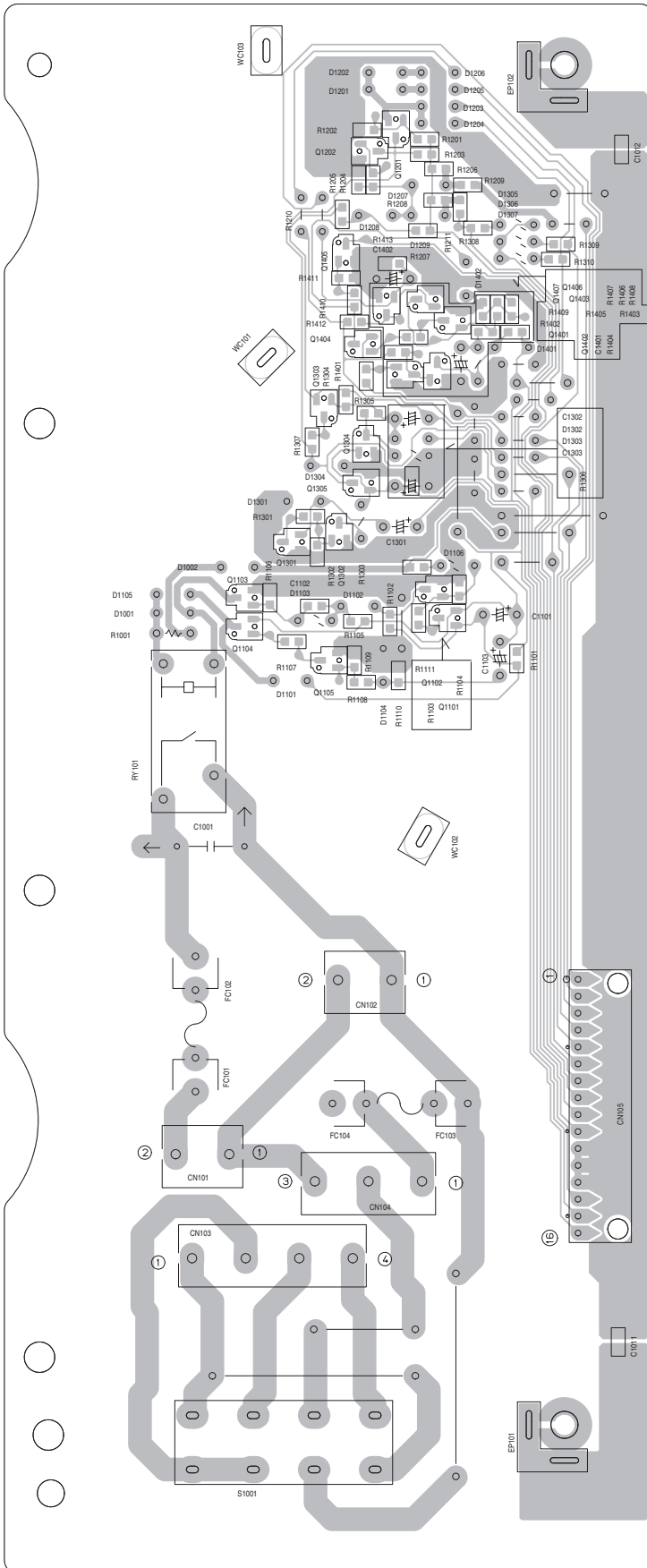
Lead free solder used in the board (material : Sn-Ag-Cu, melting point : 219 Centigrade)



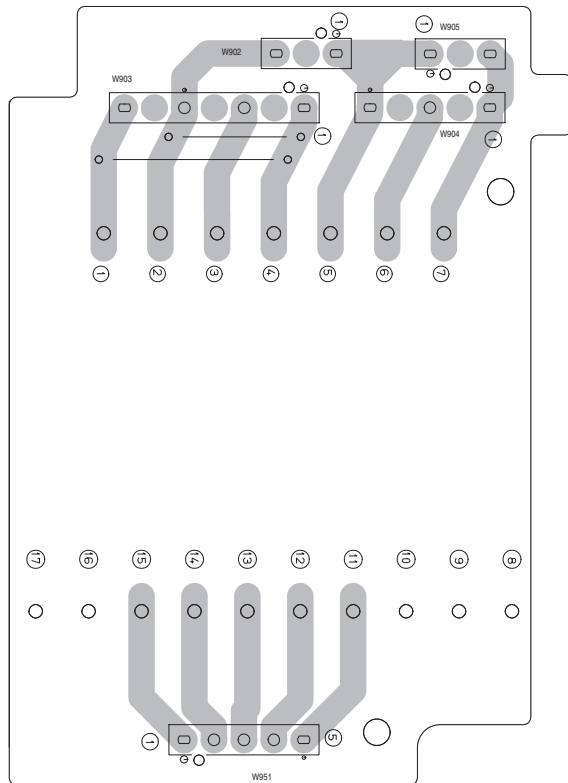
■ Speaker control board

Lead free solder used in the board (material : Sn-Ag-Cu, melting point : 219 Centigrade)

(Control board)



(Trans board)



< MEMO >

JVC

Victor Company of Japan, Limited

Audio/Video Systems Category 10-1,1chome,Ohwatari-machi,Maebashi-city,371-8543,Japan

(No.MB563SCH)



Printed in Japan
VPT

PARTS LIST

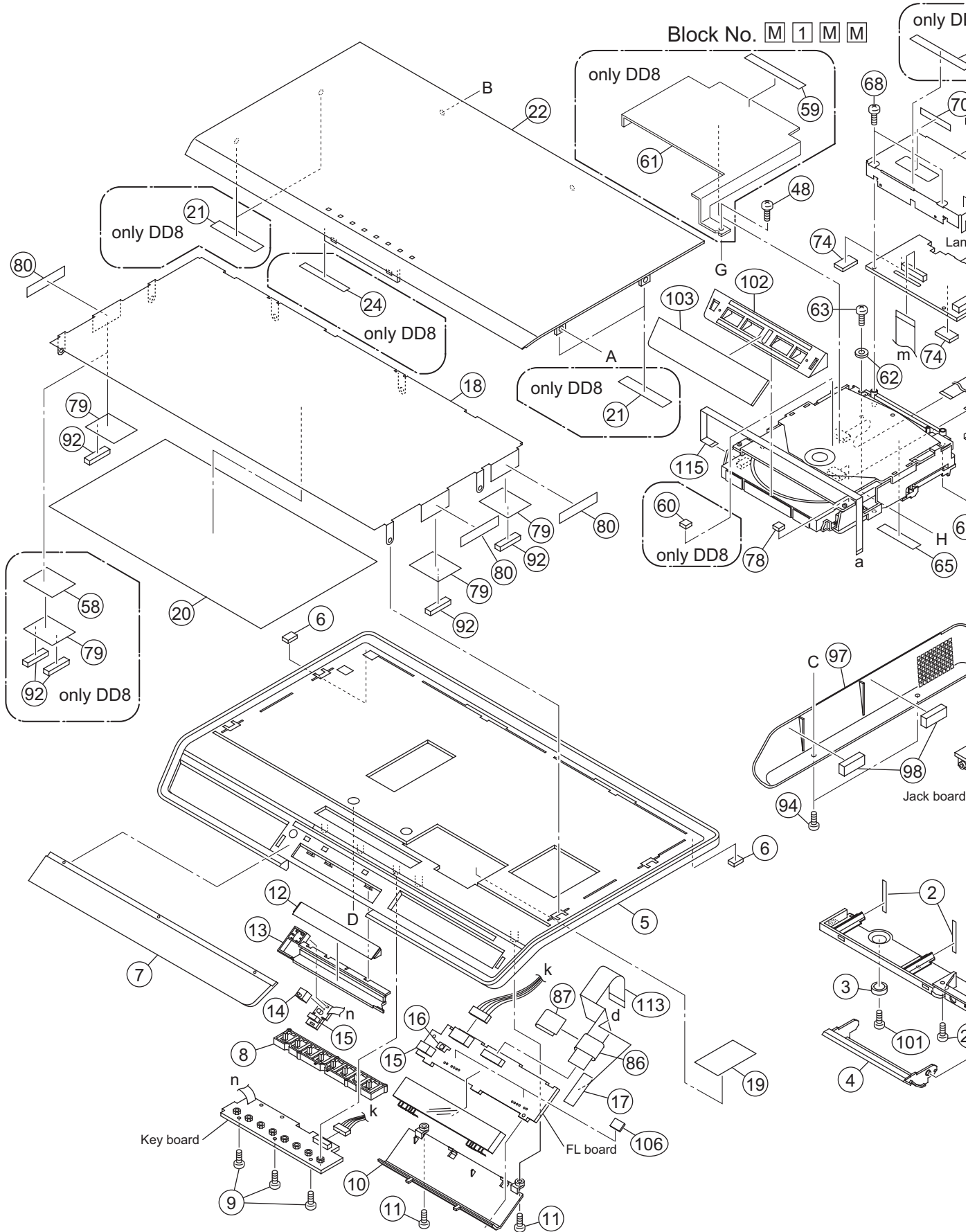
DD-8B,DD-8E,DD-8EN,DD-8EV,DD-8EE
DD-3B,DD-3E,DD-3EN,DD-3EV,DD-3EE

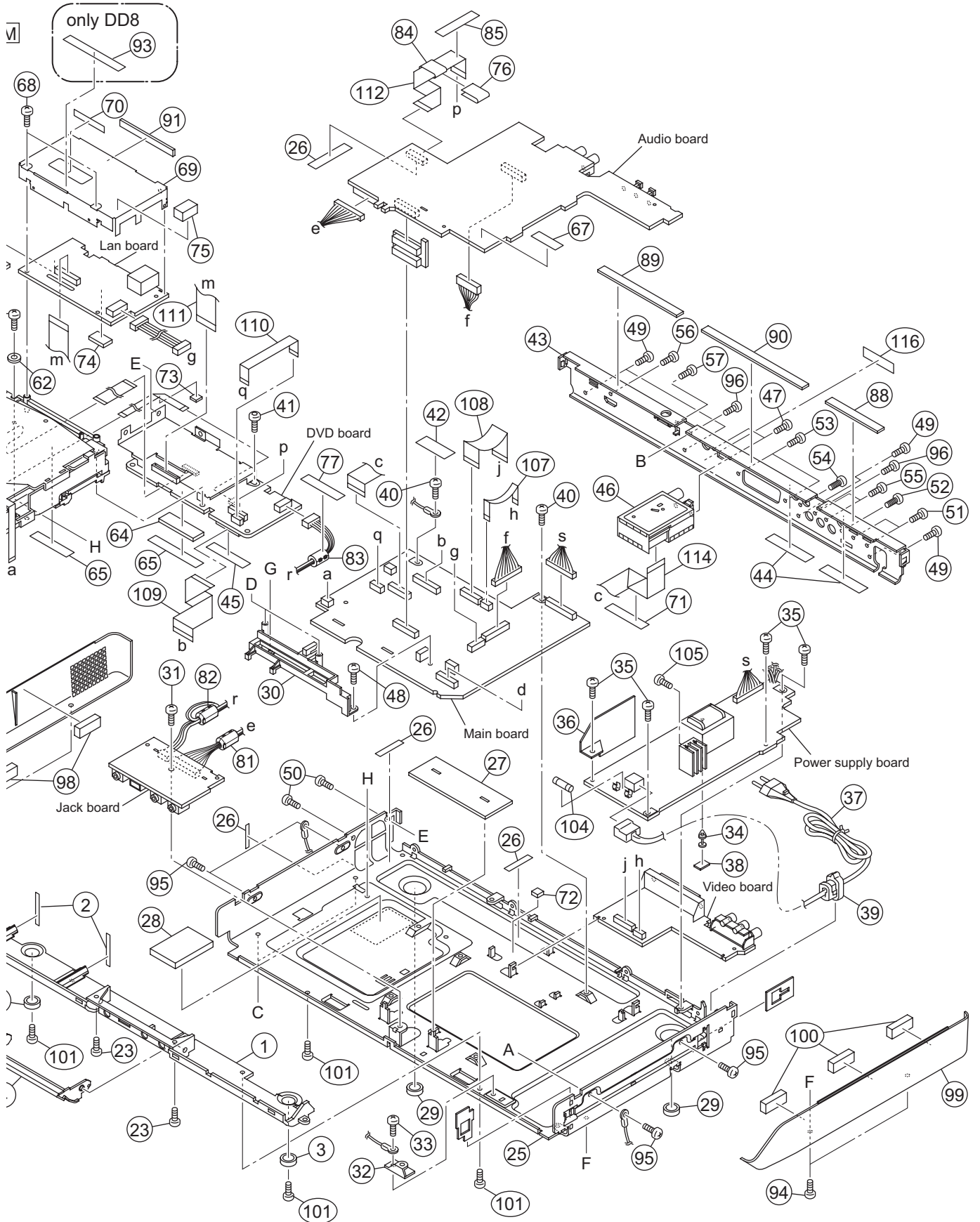
* All printed circuit boards and its assemblies are not available as service parts.

- Contents -

Exploded view of general assembly and parts list (Block No.M1)	3- 2
Speaker assembly and parts list (Subwoofer) (Block No.M2)	3- 6
(DD-8B,DD-8E,DD-8EN,DD-8EV,DD-8EE, DD-3B,DD-3E,DD-3EN,DD-3EV,DD-3EE)	
DVD mechanism assembly and parts list (Block No.MJ)	3- 8
DVD loading base assembly and parts list (Block No.MN)	3-10
Electrical parts list (Block No.01~05)	3-12
Packing materials and accessories parts list (Block No.M3).....	3-26
(DD-8B,DD-8E,DD-8EN,DD-8EV,DD-8EE)	
Packing materials and accessories parts list (Block No.M3).....	3-30
(DD-3B,DD-3E,DD-3EN,DD-3EV,DD-3EE)	

Exploded view of general assembly and parts list





The parts without symbol number are not service.

General Assembly

Block No. [M][1][M][M]

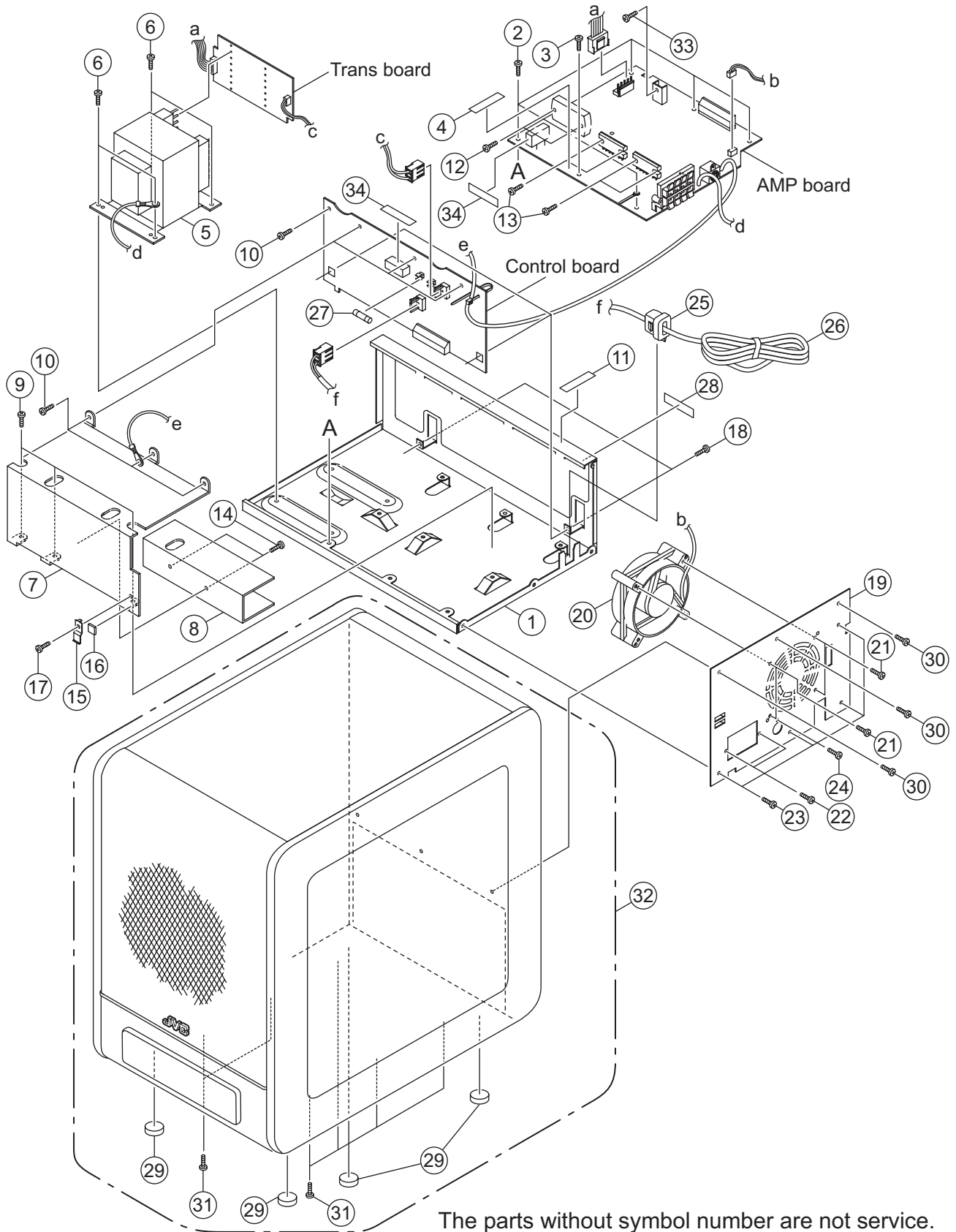
△	Symbol No.	Part No.	Part Name	Description	Local
	1	LV11276-001A	FRONT BASE		
	2	GV30349-025A	SPACER	(x2)	
	3	LV44775-001A	FOOT	(x2)	
	4	LV36923-001A	DOOR		
	5	LV11274-001A	UPPER CASE		DD8B,DD8E,DD8EN,DD8EV,DD8EE
	5	LV11274-004A	UPPER CASE		DD3B,DD3E,DD3EN,DD3EV,DD3EE
	6	LV30227-076A	SPACER	(x2)	
	7	LV22332-001A	PANEL LENS		
	8	LV36921-001A	CONTROL BUTTON		
	9	QYSDSF2608ZA	TAP SCREW	M2.6 x 8mm(x3)	
	10	LV36928-001A	PWB HOLDER		
	11	QYSDSF2608ZA	TAP SCREW	M2.6 x 8mm(x2)	
	12	LV36922-001A	LIGHT LENS		
	13	LV36924-003A	LENS HOLDER		
	14	LV44397-003A	STANDBY LENS		
	15	LV44249-001A	LED HOLDER	(x2)	
	16	LV37466-001A	IR HOLDER		
	17	GV30349-025A	SPACER		
	18	LV22389-001A	METAL COVER(B)		DD8B,DD8E,DD8EN,DD8EV,DD8EE
	18	LV22334-001A	METAL COVER		DD3B,DD3E,DD3EN,DD3EV,DD3EE
	19	LV30227-079A	SPACER		
	20	LV44774-001A	COPPER SHEET		
	21	GV30349-025A	SPACER	(x4)	DD8B,DD8E,DD8EN,DD8EV,DD8EE
	22	LV11272-007A	TOP COVER(AL)		DD8B,DD8E,DD8EN,DD8EV,DD8EE
	22	LV11273-009A	TOP PANEL(MOLD)		DD3B,DD3E,DD3EN,DD3EV,DD3EE
	23	QYSDSF2608ZA	TAP SCREW	M2.6 x 8mm(x2)	
	24	GV30349-025A	SPACER		DD8B,DD8E,DD8EN,DD8EV,DD8EE
	25	LV11275-001A	CHASSIS BASE		
	26	GV30349-025A	SPACER	(x4)	
	27	LV44810-001A	SPACER		
	28	LV30227-070A	SPACER		
	29	LV44775-001A	FOOT	(x2)	
	30	LV37120-001A	HOLDER		
	31	QYSDSG3006EA	TAP SCREW	M3 x 6mm	
	32	LV41548-201A	C.B BKT		
	33	QYSDSG3006EA	TAP SCREW	M3 x 6mm	
	34	QZW0036-003	PC SUPPORT		
	35	QYSDSG3006EA	TAP SCREW	M3 x 6mm(x4)	
	36	LV44781-001A	BARRIER		
	37	QMPN150-200-JC	POWER CORD(EU)	2m BLACK	DD8B,DD3B
	37	QMPK200-200-JD	POWER CORD(EU)	2m BLACK	DD8E,DD8EN,DD8EV,DD8EE,DD3E,DD3E N,DD3EV,DD3EE
	38	LV30225-0C8A	SPACER		
	39	QZW0033-001	STRAIN RELIEF		
	40	QYSDSG3006EA	TAP SCREW	M3 x 6mm(x2)	
	41	LV44339-001A	SPECIAL SCREW		
	42	GV30349-025A	SPACER		
	43	LV22333-028A	REAR PANEL		DD8B,DD8E,DD8EN,DD8EV
	43	LV22333-029A	REAR PANEL		DD8EE
	43	LV22333-026A	REAR PANEL		DD3B,DD3E,DD3EN,DD3EV
	43	LV22333-027A	REAR PANEL		DD3EE
	44	LV30227-064A	SPACER	(x2)	
	45	GV30349-025A	SPACER		
	46	QAU0473-001	TUNER		
	47	QYSBSGY3008EA	TAP SCREW	M3 x 8mm(x2)	
	48	QYSDSG3008ZA	TAP SCREW	M3 x 8mm(x2)	
	49	QYSBSGY3008EA	TAP SCREW	M3 x 8mm(x4)	
	50	QYSDSG3006EA	TAP SCREW	M3 x 6mm(x2)	
	51	QYSBSGY3008EA	TAP SCREW	M3 x 8mm(x2)	
	52	QYSBST3006EA	TAP SCREW	M3 x 6mm	
	53	QYSBSGY3008EA	TAP SCREW	M3 x 8mm(x2)	
	54	QYSBSGY3008EA	TAP SCREW	M3 x 8mm	
	55	QYSBSGY3008EA	TAP SCREW	M3 x 8mm(x2)	
	56	QYSBST3006EA	TAP SCREW	M3 x 6mm	
	57	QYSBSGY3008EA	TAP SCREW	M3 x 8mm	
	58	LV44783-001A	ALUMINIUM SHEET		DD8B,DD8E,DD8EN,DD8EV,DD8EE
	59	LV30227-082A	SPACER		DD8B,DD8E,DD8EN,DD8EV,DD8EE
	60	VYSH101-009	SPACER		DD8B,DD8E,DD8EN,DD8EV,DD8EE
	61	LV37444-001A	SHIELD		DD8B,DD8E,DD8EN,DD8EV,DD8EE
	62	LV30226-039A	SPACER		
	63	QYSBSG3014ZA	TAP SCREW	M3 x 14mm	
	64	LV30227-069A	SPACER		
	65	LV30227-071A	SPACER	(x2)	
	67	LV30227-080A	SPACER		

△	Symbol No.	Part No.	Part Name	Description	Local
	68	QYSDSG3008ZA	TAP SCREW	M3 x 8mm(x2)	
	69	LV37149-001A	LAN CASE		
	70	GV30349-025A	SPACER		
	71	GV30349-025A	SPACER		
	72	VYSH101-009	SPACER		
	73	LV30225-0J1A	SPACER		
	74	LV30227-068A	SPACER	(x2)	
	75	LV30227-067A	SPACER		
	76	LV30227-048A	SPACER		
	77	LV30227-048A	SPACER		
	78	VYSH101-009	SPACER		
	79	LV44783-001A	ALMINIUM SHEET	(x3)	
	80	LV30227-071A	SPACER	(x3)	
	81	QQR0594-001	NOISE FILTER		
	82	QQR0917-001	CORE FILTER		
	83	QQR0490-001	NOISE FILTER		
	84	QQR0717-019	FR CORE		
	85	GV30349-025A	SPACER		
	86	QQR0717-019	FR CORE		
	87	LV30227-048A	SPACER		
	88	QZW0314-006	GASKET		
	89	QZW0314-007	GASKET		
	90	QZW0314-008	GASKET		
	91	QZW0314-009	GASKET		
	92	QZW0314-005	GASKET	(x4)	DD8B,DD8E,DD8EN,DD8EV,DD8EE
	92	QZW0314-005	GASKET	(x3)	DD3B,DD3E,DD3EN,DD3EV,DD3EE
	93	QZW0314-004	GASKET		DD8B,DD8E,DD8EN,DD8EV,DD8EE
	94	QYSSST3008ZA	TAP SCREW	M3 x 8mm(x4)	
	95	QYSBSG3010EA	TAP SCREW	M3 x 10mm(x4)	
	96	QYSBSGY3020EA	TAP SCREW	M3 x 20mm(x2)	
	97	LV22335-001A	SIDE PANEL(L)		
	98	LV30227-066A	SPACER	(x2)	
	99	LV22336-001A	SIDE PANEL(R)		
	100	LV30227-066A	SPACER	(x3)	
	101	QYSSST3008ZA	TAP SCREW	M3 x 8mm(x4)	
	102	LV36925-001A	FITTING BASE		
	103	LV36926-004A	FITTING LENS		DD8B,DD8E,DD8EN,DD8EV,DD8EE
	103	LV36926-005A	FITTING LENS		DD3B,DD3E,DD3EN,DD3EV,DD3EE
△	104	QMFZ059-1R0-E	FUSE	1A	
	105	QYSBSE3008ZA	TAP SCREW	M3 x 8mm	
	106	VYSH101-009	SPACER	(x2)	
	107	QUR110-0706AJ-E	FFC WIRE		
	108	QUR110-1906AJ-E	FFC WIRE		
	109	QUR110-2611BJ-E	FFC WIRE		
	110	QUR110-0911AJ-E	FFC WIRE		
	111	QUQU05-4511AC-E	FFC WIRE	45pin 11cm	
	112	QUR110-1810AJ-E	FFC WIRE		
	113	QUR110-1916AJ-E	FFC WIRE		
	114	QUQU12-1516AJ-E	FFC WIRE	15pin 16cm	
	115	QUR110-0524AJ-E	FFC WIRE		
	116	GV30893-001A	NUMBER LABEL		

Speaker assembly and parts list

(Subwoofer)

Block No. M 2 M M



The parts without symbol number are not service.

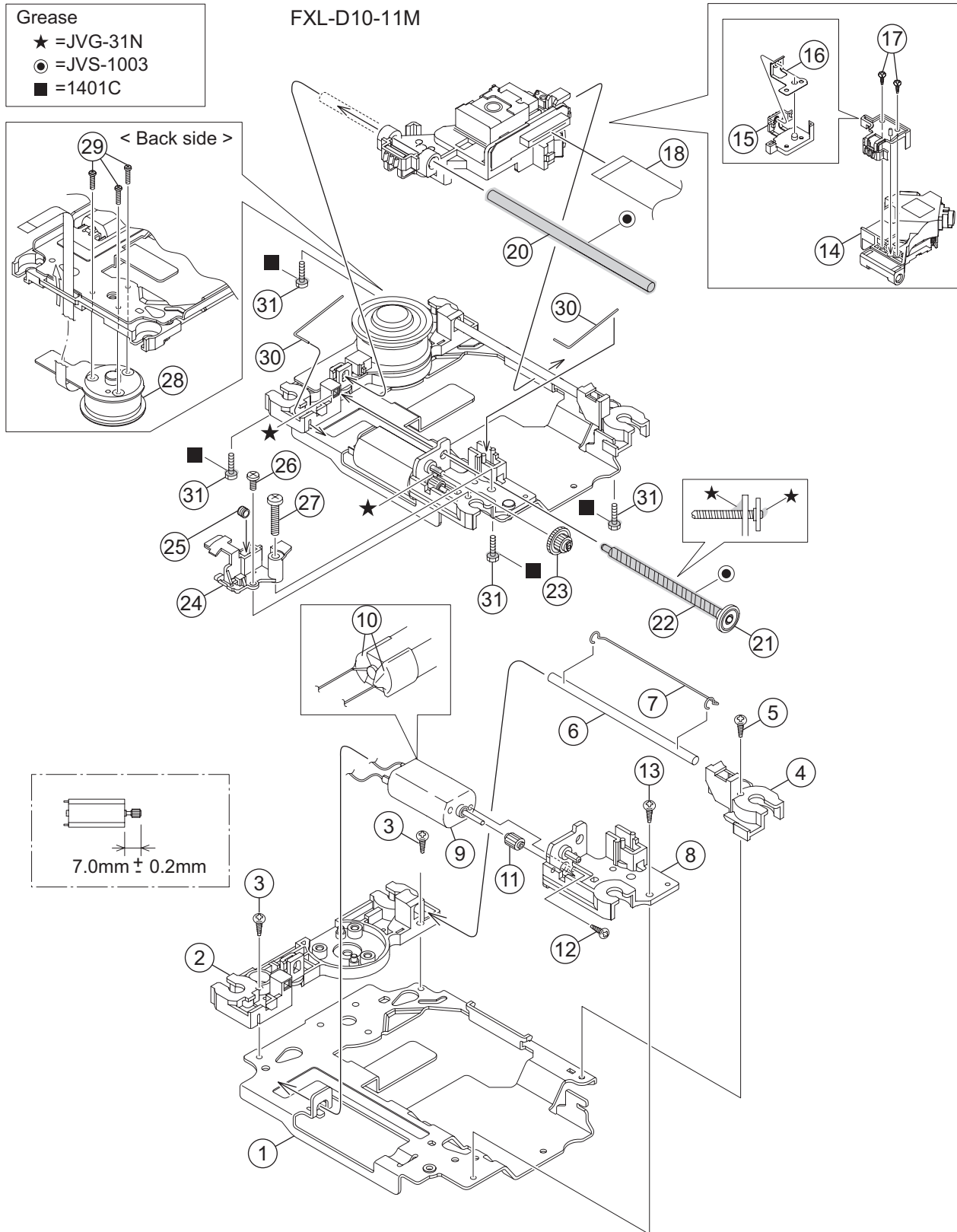
Speaker

Block No. [M][2][M][M]

△	Symbol No.	Part No.	Part Name	Description	Local
	1	LV11163-001A	CHASSIS BASE		
	2	QYSBSG3010EA	TAP SCREW	M3 x 10mm(x5)	
	3	QYSBSG3010EA	TAP SCREW	M3 x 10mm	
	4	GV30349-025A	SPACER		
△	5	QQT0525-002	POWER TRANSF		
	6	QYSDST4008EA	TAP SCREW	M4 x 8mm(x4)	
	7	LV22148-002A	HEAT SINK		
	8	LV36953-001A	HEAT SINK(A)		
	9	QYSBSG3010EA	TAP SCREW	M3 x 10mm(x3)	
	10	QYSBSG3010EA	TAP SCREW	M3 x 10mm(x4)	
	11	GV30349-025A	SPACER		
	12	QYSBSG3016EA	TAP SCREW	M3 x 16mm(x2)	
	13	QYSBSG3010EA	TAP SCREW	M3 x 10mm(x4)	
	14	QYSBSG3010EA	TAP SCREW	M3 x 10mm(x2)	
	15	LV43691-001A	HOLD SPRING		
	16	LV43203-001A	SPACER		
	17	QYSBSG3006ZA	TAP SCREW	M3 x 6mm	
	18	QYSBSG3008ZA	TAP SCREW	M3 x 8mm(x2)	
	19	LV22147-012A	REAR PANEL		DD8B,DD8E,DD8EN,DD8EV,DD8EE
	19	LV22147-010A	REAR PANEL		DD3B,DD3E,DD3EN,DD3EV,DD3EE
	20	QAR0379-001	FAN MOTOR	12V DC	
	21	QYSBSGY3008EA	TAP SCREW	M3 x 8mm(x4)	
	22	QYSBSGY3008EA	TAP SCREW	M3 x 8mm(x2)	
	23	QYSBSGY3008EA	TAP SCREW	M3 x 8mm(x4)	
	24	QYSBST3006EA	TAP SCREW	M3 x 6mm	
△	25	QZW0033-001	STRAIN RELIEF		
△	26	QMPN150-200-JC	POWER CORD(EU)	2m BLACK	DD8B,DD3B
△	26	QMPK200-200-JD	POWER CORD(EU)	2m BLACK	DD8E,DD8EN,DD8EV,DD8EE,DD3E,DD3EN,DD3EV,DD3EE
△	27	QMF51W2-2R0-J8	FUSE	2A AC250V	
	28	LV43583-001A	LABEL		
	29	9000007961	FOOT	(x4)	
	30	7001542005	SCREW	(x3)	
	31	7014341401	SCREW	(x6)	
	32	QAS0459-003	SPK WITH BOX-WO		DD8B,DD8E,DD8EN,DD8EV,DD8EE
	32	QAS0459-001	SPK WITH BOX-WO		DD3B,DD3E,DD3EN,DD3EV,DD3EE
	33	QYSBSG3008ZA	TAP SCREW	M3 x 8mm	
	34	LV30227-081A	SPACER	(x2)	

DVD mechanism assembly and parts list

Block No. M J M M



The parts without symbol number are not service.

DVD mechanism

Block No. [M][J][M][M]

△	Symbol No.	Part No.	Part Name	Description	Local
	1	LV22234-001A	TM.CHASSIS		
	2	LV22235-001A	SPINDLE BASE		
	3	QYSDST2005ZA	TAP SCREW	M2 x 5mm(x2)	
	4	LV36555-001A	G.S.HOLDER		
	5	QYSDST2005ZA	TAP SCREW	M2 x 5mm	
	6	LV44041-002A	GUIDE SHAFT		
	7	LV44479-001A	BAR SPRING		
	8	LV22236-001A	FEED HOLDER		
	9	QAR0165-001	FEED MOTOR	5.0V DC	
	10	LV30225-0X5A	SPACER	(x2)	
	11	LV36557-001A	F.M.GEAR		
	12	QYSPSPT2030MA	SCREW	M2 x 3mm	
	13	QYSDST2005ZA	TAP SCREW	M2 x 5mm	
	14	QAL0786-004	P.UP		
	15	LV22237-001A	RACK ARM		
	16	LV36560-001A	RACK ARM SPRING		
	17	QYSPSFU1740ZA	TAP SCREW	M1.7 x 4mm(x2)	
	18	QUQK05-2420AC-E	FFC WIRE	24pin 20cm	
	20	LV44041-002A	GUIDE SHAFT		
	21	LV36559-001A	L.S.GEAR		
	22	LV41517-003A	LEAD SCREW		
	23	LV36558-001A	MIDDLE GEAR		
	24	LV36556-001A	SPRING HOLDER		
	25	LV44623-001A	COMP.SPRING		
	26	QYSDST2005ZA	TAP SCREW	M2 x 5mm	
	27	QYSDST2616MA	TAP SCREW	M2.6 x 16mm	
	28	QAR0387-001	S.MOTOR		
	29	QYSPSPU1775ZA	SCREW	M1.7 x 7.5mm(x3)	
	30	LV44042-001A	ROD SPRING	(x2)	
	31	LV44046-001A	ADJUST SCREW	(x4)	

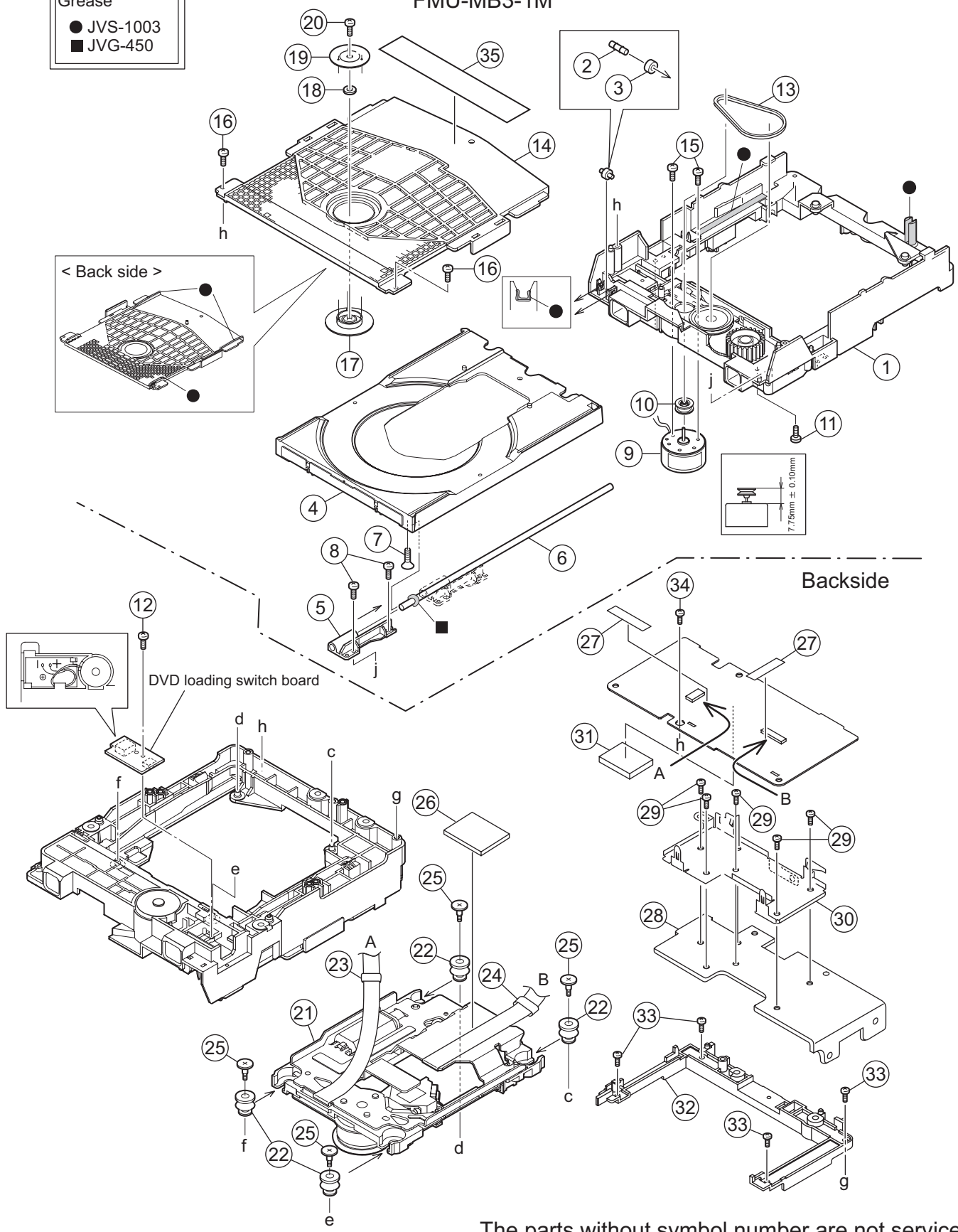
DVD loading base assembly and parts list

FMU-MB3-1M

Block No. M N M M

Grease

- JVS-1003
- JVG-450



The parts without symbol number are not service.

DVD loading base

Block No. [M][N][M][M]

△	Symbol No.	Part No.	Part Name	Description	Local
	1	LV11065-004A	LOADER SUB ASSY		
	2	E407140-001SS	C.D ROLLER		
	3	E407149-001SS	RUBBER TUBE		
	4	LV10979-002A	TRAY		
	5	LV35499-001A	SHAFT GUIDE		
	6	LV44022-001A	SHAFT		
	7	QYSSSF2008ZA	TAP SCREW	M2 x 8mm	
	8	QYSDSF2008ZA	TAP SCREW	M2 x 8mm(x2)	
	9	QAR0197-001	MOTOR		
	9	or QAR0280-001	LOADING MOTOR		
	10	LV43844-002A	MOTOR PULLEY		
	11	QYSPSPU1730ZA	SCREW	M1.7 x 3mm(x2)	
	12	QYSDSF2008ZA	TAP SCREW	M2 x 8mm	
	13	LV43974-001A	BELT		
	14	LV21852-003A	CLAMPER BASE		
	15	QYSDSF2008ZA	TAP SCREW	M2 x 8mm(x2)	
	16	LV41741-004A	SPECIAL SCREW		
	17	LV35056-002A	DVD CLAMPER		
	18	LV42930-003A	P.C.MAGNET		
	18	or LV41118-003A	P.C.MAGNET		
	19	LV43848-001A	YOKE		
	20	LE40906-002A	SPECIAL SCREW		
	21	-----	SINGLE DVD TRAM		
	22	LV44043-001A	INSULATOR	(x4)	
	23	QQR0717-007	FERRITE CORE		
	24	QQR0717-012	FERRITE CORE		
	25	LV44044-001A	SPECIAL SCREW	(x4)	
	26	LV30227-073A	SPACER		
	27	GV30349-025A	SPACER	(x2)	
	28	LV37355-001A	HEAT SINK		
	29	LE40906-002A	SPECIAL SCREW	(x6)	
	30	LV36927-003A	HDMI CASE		
	31	LV44699-001A	COOLING RUBBER		
	32	LV11277-003A	CB HOLDER DD		
	33	QYSBSF2608ZA	TAP SCREW	M2.6 x 8mm(x4)	
	34	QYSBSFG2606ZA	TAP SCREW	M2.6 x 6mm	
	35	LV44603-003A	LASER CAUTION		

Electrical parts list

Main board

Block No. [0][1]

△ Symbol No.	Part No.	Part Name	Description	Local	△ Symbol No.	Part No.	Part Name	Description	Local
					PHOTO COUPLER				
	IC401	MN101C49KRC	IC		C4001	NCB31CK-104X	C CAPACITOR	0.1uF 16V K	
	IC425	TC74VHCT08AF-X	IC		C4002	NCB31CK-104X	C CAPACITOR	0.1uF 16V K	
	IC431	BR24L08F-W-X	IC(DIGITAL)		C4003	NCB31CK-104X	C CAPACITOR	0.1uF 16V K	
	IC432	S-80840CNNB-G-W	IC		C4004	NCB31CK-104X	C CAPACITOR	0.1uF 16V K	
	IC471	LB1641	IC		C4006	NCB31HK-103X	C CAPACITOR	0.01uF 50V K	
	IC971	KIA431A-T	IC		C4007	QETN1CM-107Z	E CAPACITOR	100uF 16V M	
△ IC981	MIP4170MDSLJ	SW-IC			C4008	NCB31HK-103X	C CAPACITOR	0.01uF 50V K	
	Q4321	KRC111S-X	TRANSISTOR		C4009	NCB31HK-103X	C CAPACITOR	0.01uF 50V K	
	Q4401	KRC107S-X	DIGI TRANSISTOR		C4010	NCB31HK-103X	C CAPACITOR	0.01uF 50V K	
	Q4402	KRA104S-X	DIGI TRANSISTOR		C4011	NCB31HK-103X	C CAPACITOR	0.01uF 50V K	
	Q4403	KTC3875/YG/-X	TRANSISTOR		C4156	NCB31HK-103X	C CAPACITOR	0.01uF 50V K	
	Q4404	KRA111S-X	D. TRANSISTOR		C4221	NCB31CK-104X	C CAPACITOR	0.1uF 16V K	
	Q4505	KTC3875/YG/-X	TRANSISTOR		C4222	NCB31CK-104X	C CAPACITOR	0.1uF 16V K	
	Q4611	KRC102S-X	DIGI TRANSISTOR		C4251	NCB31CK-104X	C CAPACITOR	0.1uF 16V K	
	Q4621	KRA102S-X	DIGI TRANSISTOR		C4301	NCB31HK-103X	C CAPACITOR	0.01uF 50V K	
	Q4622	KRC104S-X	TRANSISTOR		C4302	QETN1HM-106Z	E CAPACITOR	10uF 50V M	
	Q4721	KRA104S-X	DIGI TRANSISTOR		C4321	QETN1HM-225Z	E CAPACITOR	2.2uF 50V M	
	Q4722	KRC102S-X	DIGI TRANSISTOR		C4322	QETN1HM-225Z	E CAPACITOR	2.2uF 50V M	
	Q4851	KTC3203/OY/-T	TRANSISTOR		C4323	NCB31HK-103X	C CAPACITOR	0.01uF 50V K	
	Q4921	KTA1273/Y/-T	TRANSISTOR		C4324	NCB31HK-103X	C CAPACITOR	0.01uF 50V K	
	Q4922	KRC103S-X	DIGITAL TR		C4401	NCB31HK-103X	C CAPACITOR	0.01uF 50V K	
	Q4931	RSS090N03-X	POWER MOS FET		C4402	QETN1EM-107Z	E CAPACITOR	100uF 25V M	
	Q4932	KTC3875/YG/-X	TRANSISTOR		C4403	QETN1HM-475Z	E CAPACITOR	4.7uF 50V M	
	Q4941	RTR030P02-X	MOS FET		C4404	NCB31HK-103X	C CAPACITOR	0.01uF 50V K	
	Q4942	KRC103S-X	DIGITAL TR		C4503	QETN1CM-227Z	E CAPACITOR	220uF 16V M	
	Q4951	RSS090N03-X	POWER MOS FET		C4701	QETN1CM-107Z	E CAPACITOR	100uF 16V M	
	Q4952	KRA104S-X	DIGI TRANSISTOR		C4702	NCB31CK-104X	C CAPACITOR	0.1uF 16V K	
	Q4953	KRC104S-X	TRANSISTOR		C4703	NCB31CK-104X	C CAPACITOR	0.1uF 16V K	
	Q4961	KTA1504/YG/-X	TRANSISTOR						DD8B, DD8E, DD8E N,DD 8EV,D D8EE
	Q4962	KTC3875/YG/-X	TRANSISTOR		C4721	QDGB1HK-102Y	C CAPACITOR	1000pF 50V K	
	Q4963	KRA111S-X	D. TRANSISTOR						DD8B, DD8E, DD8E N,DD 8EV,D D8EE
	Q4971	KTA1273/Y/-T	TRANSISTOR						DD8B, DD8E, DD8E N,DD 8EV,D D8EE
	Q4972	KTC3875/YG/-X	TRANSISTOR		C4722	QDGB1HK-102Y	C CAPACITOR	1000pF 50V K	
	Q4973	KTA1273/Y/-T	TRANSISTOR						DD8B, DD8E, DD8E N,DD 8EV,D D8EE
	Q5002	KRA104S-X	DIGI TRANSISTOR		C4723	QDGB1HK-102Y	C CAPACITOR	1000pF 50V K	
	Q5101	2SD2114K/VV/-X	TRANSISTOR						DD8B, DD8E, DD8E N,DD 8EV,D D8EE
	Q5102	KTC3875/YG/-X	TRANSISTOR						DD8B, DD8E, DD8E N,DD 8EV,D D8EE
	Q5201	2SD2114K/VV/-X	TRANSISTOR						DD8B, DD8E, DD8E N,DD 8EV,D D8EE
	Q5202	KTC3875/YG/-X	TRANSISTOR						DD8B, DD8E, DD8E N,DD 8EV,D D8EE
	D4231	1SS133-T2	SI DIODE		C4725	NCF21CZ-225X	C CAPACITOR	2.2uF 16V Z	
	D4232	1SS133-T2	SI DIODE		C4851	QETN1CM-107Z	E CAPACITOR	100uF 16V M	
	D4322	1SS355-X	SI DIODE		C4852	QETN1CM-107Z	E CAPACITOR	100uF 16V M	
	D4401	MTZJ10B-T2	Z DIODE		C4921	QCZ0202-155Z	C CAPACITOR	1.5uF 25V Z	
	D4601	10EDB20-T4	DIODE		C4922	QETN1CM-107Z	E CAPACITOR	100uF 16V M	
	D4611	1SS133-T2	SI DIODE		C4925	QTE1C60-107Z	E CAPACITOR	100uF 16V	
	D4621	1SS355-X	SI DIODE		C4941	NCB31CK-104X	C CAPACITOR	0.1uF 16V K	
	D4701	1N4003S-T5	SI DIODE		C4951	NCB31CK-104X	C CAPACITOR	0.1uF 16V K	
	D4702	UDZS4.7B-X	Z DIODE		C4952	NCB31CK-104X	C CAPACITOR	0.1uF 16V K	
	D4721	GS1J-X	DIODE		C4964	NCB31HK-104X	C CAPACITOR	0.1uF 50V K	
	D4801	10EDB20-T4	DIODE		C4972	QETN1HM-475Z	E CAPACITOR	4.7uF 50V M	
	D4804	10EDB20-T4	DIODE		C4973	NCB31CK-333X	C CAPACITOR	0.033uF 16V K	
	D4831	1SS133-T2	SI DIODE		C4974	QETN1CM-107Z	E CAPACITOR	100uF 16V M	
	D4834	1SS133-T2	SI DIODE		C4975	QETN1HM-226Z	E CAPACITOR	22uF 50V M	
	D4835	1SS133-T2	SI DIODE		C5102	NDC31HJ-101X	C CAPACITOR	100pF 50V J	
	D4836	1SS133-T2	SI DIODE		C5105	NCB31HK-331X	C CAPACITOR	330pF 50V K	
	D4852	MTZJ4.7A-T2	Z DIODE		C5106	QKCC1HM-225Z	E CAPACITOR	2.2uF 50V M	
	D4964	MTZJ9.1A-T2	Z DIODE		C5202	NDC31HJ-101X	C CAPACITOR	100pF 50V J	
	D4965	1SS133-T2	SI DIODE		C5205	NCB31HK-331X	C CAPACITOR	330pF 50V K	
	D5301	1SS133-T2	SI DIODE		C5206	QKCC1HM-225Z	E CAPACITOR	2.2uF 50V M	
	D5302	1SS133-T2	SI DIODE		C5305	QKCC1HM-475Z	E CAPACITOR	4.7uF 50V M	
△ D9010	DI106	BRIDGE DIODE			C5307	NCB31CK-104X	C CAPACITOR	0.1uF 16V K	
△ D9201	FR104S-T5	FR DIODE			C5308	NCB31HK-331X	C CAPACITOR	330pF 50V K	
△ D9301	UF202G-F26	FR EIODE			C5309	NCB31HK-331X	C CAPACITOR	330pF 50V K	
△ D9401	UF202G-F26	FR EIODE			C5310	NCB31CK-104X	C CAPACITOR	0.1uF 16V K	
△ D9501	SB360-F82	FUSEIODE			C5311	NCB31HK-331X	C CAPACITOR	330pF 50V K	
△ D9601	FR104S-T5	FR DIODE			C5313	NCB31HK-331X	C CAPACITOR	330pF 50V K	
D9801	1SS244-T2	SI DIODE			C5314	QKCC1HM-226Z	E CAPACITOR	22uF 50V M	
D9802	MA704A-X	SB DIODE			C5401	NCB31CK-104X	C CAPACITOR	0.1uF 16V K	
D9902	20NFA60-FC5	FR DIODE							
D9903	20NFA60-FC5	FR DIODE							

△ Symbol No.	Part No.	Part Name	Description	Local	△ Symbol No.	Part No.	Part Name	Description	Local
C5402	NCB31CK-223X	C CAPACITOR	0.022uF 16V K		R4033	NRSA63J-222X	MG RESISTOR	2.2kΩ 1/16W J	
C5403	NCB31CK-223X	C CAPACITOR	0.022uF 16V K		R4034	NRSA63J-222X	MG RESISTOR	2.2kΩ 1/16W J	
C5404	NCB31HK-103X	C CAPACITOR	0.01uF 50V K		R4035	NRSA63J-102X	MG RESISTOR	1kΩ 1/16W J	
C5405	NDC31HJ-150X	C CAPACITOR	15pF 50V J		R4036	NRSA63J-222X	MG RESISTOR	2.2kΩ 1/16W J	
C5406	NDC31HJ-150X	C CAPACITOR	15pF 50V J		R4038	NRSA63J-222X	MG RESISTOR	2.2kΩ 1/16W J	
C5407	NCB31HK-182X	C CAPACITOR	1800pF 50V K		R4041	NRSA63J-102X	MG RESISTOR	1kΩ 1/16W J	
C5408	NCB31HK-182X	C CAPACITOR	1800pF 50V K		R4042	NRSA63J-222X	MG RESISTOR	2.2kΩ 1/16W J	
C9201	NDC31HJ-221X	C CAPACITOR	220pF 50V J		R4043	NRSA63J-102X	MG RESISTOR	1kΩ 1/16W J	
C9202	QEZ0655-227Z	E CAPACITOR	220uF 16V M		R4044	NRSA63J-222X	MG RESISTOR	2.2kΩ 1/16W J	
C9203	QEZ0656-567Z	E CAPACITOR	560uF		R4045	NRSA63J-102X	MG RESISTOR	1kΩ 1/16W J	
C9204	NDC31HJ-221X	C CAPACITOR	220pF 50V J		R4046	NRSA63J-102X	MG RESISTOR	1kΩ 1/16W J	
C9301	NDC31HJ-221X	C CAPACITOR	220pF 50V J		R4047	NRSA63J-222X	MG RESISTOR	2.2kΩ 1/16W J	
C9302	QCZ0202-155Z	C CAPACITOR	1.5uF 25V Z		R4048	NRSA63J-222X	MG RESISTOR	2.2kΩ 1/16W J	
C9303	QEZ0655-227Z	E CAPACITOR	220uF 16V M		R4049	NRSA63J-222X	MG RESISTOR	2.2kΩ 1/16W J	
C9304	QEZ0655-827Z	E CAPACITOR	820uF		R4050	NRSA63J-222X	MG RESISTOR	2.2kΩ 1/16W J	
C9401	NDC31HJ-221X	C CAPACITOR	220pF 50V J		R4051	NRSA63J-222X	MG RESISTOR	2.2kΩ 1/16W J	
C9402	QCZ0202-155Z	C CAPACITOR	1.5uF 25V Z		R4053	NRSA63J-222X	MG RESISTOR	2.2kΩ 1/16W J	
C9403	QEZ0655-227Z	E CAPACITOR	220uF 16V M		R4054	NRSA63J-222X	MG RESISTOR	2.2kΩ 1/16W J	
C9404	QEZ0655-827Z	E CAPACITOR	820uF		R4057	NRSA63J-102X	MG RESISTOR	1kΩ 1/16W J	
C9501	NDC31HJ-101X	C CAPACITOR	100pF 50V J		R4059	NRSA63J-101X	MG RESISTOR	100Ω 1/16W J	
C9502	QEZ0654-108Z	E CAPACITOR	1000uF 10V M		R4060	NRSA63J-102X	MG RESISTOR	1kΩ 1/16W J	
C9503	QEZ0654-477Z	E CAPACITOR	470uF 10V M		R4061	NRSA63J-102X	MG RESISTOR	1kΩ 1/16W J	
C9504	NCB31CK-104X	C CAPACITOR	0.1uF 16V K		R4062	NRSA63J-102X	MG RESISTOR	1kΩ 1/16W J	
C9601	QCZ0136-101Z	C CAPACITOR	100pF 1kV K		R4063	NRSA63J-102X	MG RESISTOR	1kΩ 1/16W J	
C9602	QEZ0658-396Z	E CAPACITOR	39uF 50V M		R4064	NRSA63J-101X	MG RESISTOR	100Ω 1/16W J	
C9603	QEZ0658-226Z	E CAPACITOR	22uF 50V M		R4068	NRSA63J-102X	MG RESISTOR	1kΩ 1/16W J	
△ C9703	QCZ9079-102	C CAPACITOR	1000pF AC250V M		R4069	NRSA63J-102X	MG RESISTOR	1kΩ 1/16W J	
C9801	QCZ0403-221	C CAPACITOR	220pF 2kV K		R4070	NRSA63J-102X	MG RESISTOR	1kΩ 1/16W J	
C9802	NCB31HK-104X	C CAPACITOR	0.1uF 50V K		R4071	NRSA63J-102X	MG RESISTOR	1kΩ 1/16W J	
C9803	NCB31HK-104X	C CAPACITOR	0.1uF 50V K		R4072	NRSA63J-102X	MG RESISTOR	1kΩ 1/16W J	
C9804	NDC31HJ-150X	C CAPACITOR	15pF 50V J		R4073	NRSA63J-102X	MG RESISTOR	1kΩ 1/16W J	
C9805	NDC31HJ-331X	C CAPACITOR	330pF 50V J		R4074	NRSA63J-102X	MG RESISTOR	1kΩ 1/16W J	
C9806	NCB31HK-104X	C CAPACITOR	0.1uF 50V K		R4075	NRSA63J-102X	MG RESISTOR	1kΩ 1/16W J	
C9807	QETN1HM-226Z	E CAPACITOR	22uF 50V M		R4076	NRSA63J-102X	MG RESISTOR	1kΩ 1/16W J	
C9808	QEZ0658-476Z	E CAPACITOR	47uF 50V M		R4077	NRSA63J-102X	MG RESISTOR	1kΩ 1/16W J	
△ C9901	QFZ9073-683	MM CAPACITOR	0.068uF AC250V M		R4078	NRSA63J-102X	MG RESISTOR	1kΩ 1/16W J	
C9906	QCZ0401-222	C CAPACITOR	2200pF 2kV K		R4079	NRSA63J-102X	MG RESISTOR	1kΩ 1/16W J	
△ C9907	QCZ9079-102	C CAPACITOR	1000pF AC250V M		R4080	NRSA63J-103X	MG RESISTOR	10kΩ 1/16W J	
△ C9908	QFZ9073-683	MM CAPACITOR	0.068uF AC250V M		R4081	NRSA63J-103X	MG RESISTOR	10kΩ 1/16W J	
△ C9909	QCZ9079-102	C CAPACITOR	1000pF AC250V M		R4082	NRSA63J-103X	MG RESISTOR	10kΩ 1/16W J	
△ C9911	QEZ0665-476	E CAPACITOR	47uF 400V M		R4083	NRSA63J-103X	MG RESISTOR	10kΩ 1/16W J	
C9930	NCB31HK-104X	C CAPACITOR	0.1uF 50V K		R4084	NRSA63J-103X	MG RESISTOR	10kΩ 1/16W J	
				DD3B,	R4086	NRSA63J-473X	MG RESISTOR	47kΩ 1/16W J	
				DD3E,	R4087	NRSA63J-103X	MG RESISTOR	10kΩ 1/16W J	
				DD3E	R4088	NRSA63J-103X	MG RESISTOR	10kΩ 1/16W J	
R4003	NRSA63J-103X	MG RESISTOR	10kΩ 1/16W J	N,DD	R4089	NRSA63J-471X	MG RESISTOR	470Ω 1/16W J	
				3EV,D	R4090	NRSA63J-103X	MG RESISTOR	10kΩ 1/16W J	
				D3EE	R4092	NRSA63J-0R0X	MG RESISTOR	0Ω 1/16W J	
				DD8B,	R4093	NRSA63J-222X	MG RESISTOR	2.2kΩ 1/16W J	
				DD8E,	R4094	NRSA63J-102X	MG RESISTOR	1kΩ 1/16W J	
R4004	NRSA63J-103X	MG RESISTOR	10kΩ 1/16W J	DD8E	R4095	NRSA63J-102X	MG RESISTOR	1kΩ 1/16W J	
				N,DD	R4096	NRSA63J-102X	MG RESISTOR	1kΩ 1/16W J	
				8EV,D	R4097	NRSA63J-102X	MG RESISTOR	1kΩ 1/16W J	
				D8EE	R4098	NRSA63J-102X	MG RESISTOR	1kΩ 1/16W J	
R4006	NRSA63J-102X	MG RESISTOR	1kΩ 1/16W J		R4099	NRSA63J-102X	MG RESISTOR	1kΩ 1/16W J	
R4007	NRSA63J-473X	MG RESISTOR	47kΩ 1/16W J		R4100	NRSA63J-102X	MG RESISTOR	1kΩ 1/16W J	
R4008	NRSA63J-102X	MG RESISTOR	1kΩ 1/16W J		R4101	NRSA63J-103X	MG RESISTOR	10kΩ 1/16W J	
R4009	NRSA63J-0R0X	MG RESISTOR	0Ω 1/16W J		R4102	NRSA63J-103X	MG RESISTOR	10kΩ 1/16W J	
R4010	NRSA63J-222X	MG RESISTOR	2.2kΩ 1/16W J		R4103	NRSA63J-222X	MG RESISTOR	2.2kΩ 1/16W J	
R4011	NRSA63J-471X	MG RESISTOR	470Ω 1/16W J		R4104	NRSA63J-101X	MG RESISTOR	100Ω 1/16W J	
R4012	NRSA63J-103X	MG RESISTOR	10kΩ 1/16W J		R4105	NRSA63J-223X	MG RESISTOR	22kΩ 1/16W J	
R4013	NRSA63J-103X	MG RESISTOR	10kΩ 1/16W J		R4106	NRSA63J-0R0X	MG RESISTOR	0Ω 1/16W J	
R4014	NRSA63J-101X	MG RESISTOR	100Ω 1/16W J		R4107	NRSA63J-223X	MG RESISTOR	22kΩ 1/16W J	
R4016	NRSA63J-102X	MG RESISTOR	1kΩ 1/16W J		R4205	NRSA63J-472X	MG RESISTOR	4.7kΩ 1/16W J	
R4017	NRSA63J-222X	MG RESISTOR	2.2kΩ 1/16W J		R4211	NRSA63J-472X	MG RESISTOR	4.7kΩ 1/16W J	
R4018	NRSA63J-101X	MG RESISTOR	100Ω 1/16W J		R4251	NRSA02J-221X	MG RESISTOR	220Ω 1/10W J	
R4020	NRSA63J-102X	MG RESISTOR	1kΩ 1/16W J		R4301	NRSA63J-104X	MG RESISTOR	100kΩ 1/16W J	
R4021	NRSA63J-102X	MG RESISTOR	1kΩ 1/16W J		R4302	NRSA63J-101X	MG RESISTOR	100Ω 1/16W J	
R4022	NRSA63J-182X	MG RESISTOR	1.8kΩ 1/16W J		R4311	NRSA63J-0R0X	MG RESISTOR	0Ω 1/16W J	
R4023	NRSA63J-102X	MG RESISTOR	1kΩ 1/16W J		R4314	NRSA63J-103X	MG RESISTOR	10kΩ 1/16W J	
R4025	NRSA63J-102X	MG RESISTOR	1kΩ 1/16W J		R4321	NRSA63J-103X	MG RESISTOR	10kΩ 1/16W J	
R4026	NRSA63J-101X	MG RESISTOR	100Ω 1/16W J		R4322	NRSA63J-102X	MG RESISTOR	1kΩ 1/16W J	
R4027	NRSA63J-101X	MG RESISTOR	100Ω 1/16W J		R4323	NRSA63J-104X	MG RESISTOR	100kΩ 1/16W J	
R4028	NRSA63J-101X	MG RESISTOR	100Ω 1/16W J		R4324	NRSA63J-103X	MG RESISTOR	10kΩ 1/16W J	
R4029	NRSA63J-101X	MG RESISTOR	100Ω 1/16W J		R4401	NRSA63J-102X	MG RESISTOR	1kΩ 1/16W J	
R4030	NRSA63J-103X	MG RESISTOR	10kΩ 1/16W J		R4402	QRE141J-3R9Y	C RESISTOR	3.9Ω 1/4W J	
R4031	NRSA63J-0R0X	MG RESISTOR	0Ω 1/16W J		R4451	NRSA63J-0R0X	MG RESISTOR	0Ω 1/16W J	
R4032	NRSA63J-102X	MG RESISTOR	1kΩ 1/16W J		R4505	NRSA63J-101X	MG RESISTOR	100Ω 1/16W J	

△ Symbol No.	Part No.	Part Name	Description	Local	△ Symbol No.	Part No.	Part Name	Description	Local
R4507	NRSA63J-223X	MG RESISTOR	22kΩ 1/16W J		△ R9601	QRZ9005-100X	FUSI RESISTOR	10Ω	
R4508	NRSA63J-223X	MG RESISTOR	22kΩ 1/16W J		R9602	NRSA63J-154X	MG RESISTOR	150kΩ 1/16W J	
R4509	NRSA63J-223X	MG RESISTOR	22kΩ 1/16W J		R9701	NRSA63J-301X	MG RESISTOR	300Ω 1/16W J	
R4611	NRSA63J-103X	MG RESISTOR	10kΩ 1/16W J		R9702	NRSA63J-472X	MG RESISTOR	4.7kΩ 1/16W J	
R4612	QRE141J-221Y	C RESISTOR	220Ω 1/4W J		R9704	NRSA63J-102X	MG RESISTOR	1kΩ 1/16W J	
R4613	NRSA63J-103X	MG RESISTOR	10kΩ 1/16W J		R9706	NRSA63J-272X	MG RESISTOR	2.7kΩ 1/16W J	
R4614	NRSA63J-103X	MG RESISTOR	10kΩ 1/16W J		R9707	NRSA63J-472X	MG RESISTOR	4.7kΩ 1/16W J	
R4621	NRSA63J-0R0X	MG RESISTOR	0Ω 1/16W J		R9709	NRSA63J-752X	MG RESISTOR	7.5kΩ 1/16W J	
R4622	NRSA63J-0R0X	MG RESISTOR	0Ω 1/16W J		R9801	NRSA63J-332X	MG RESISTOR	3.3kΩ 1/16W J	
R4722	QRT02DJ-R47X	MF RESISTOR	0.47Ω 2W J		R9802	NRSA63J-432X	MG RESISTOR	4.3kΩ 1/16W J	
R4723	NRSA63J-101X	MG RESISTOR	100Ω 1/16W J		△ R9803	QRZ9005-270X	FUSI RESISTOR	27Ω	
R4724	NRSA63J-272X	MG RESISTOR	2.7kΩ 1/16W J		R9804	NRSA63J-683X	MG RESISTOR	68kΩ 1/16W J	
R4725	NRSA63J-562X	MG RESISTOR	5.6kΩ 1/16W J		R9805	NRSA63J-473X	MG RESISTOR	47kΩ 1/16W J	
R4726	NRSA63J-0R0X	MG RESISTOR	0Ω 1/16W J		△ R9901	QRZ9037-335	COMP RESISTOR	3.3MΩ 1/2W K	
R4728	NRSA63J-222X	MG RESISTOR	2.2kΩ 1/16W J		R9903	QRL02DJ-683X	OMF RESISTOR	68kΩ 2W J	
R4729	NRSA63J-472X	MG RESISTOR	4.7kΩ 1/16W J		R9904	NRSA63J-105X	MG RESISTOR	1MΩ 1/16W J	
R4730	NRSA63J-222X	MG RESISTOR	2.2kΩ 1/16W J		R9905	NRSA63J-105X	MG RESISTOR	1MΩ 1/16W J	
R4731	NRSA63J-472X	MG RESISTOR	4.7kΩ 1/16W J		R9906	NRSA63J-105X	MG RESISTOR	1MΩ 1/16W J	
R4801	QRT027J-2R2	MF RESISTOR	2.2Ω 2W J		R9907	NRSA63J-105X	MG RESISTOR	1MΩ 1/16W J	
R4833	NRSA63J-393X	MG RESISTOR	39kΩ 1/16W J		L4961	QQL244K-100Z	COIL	10uH K	
R4834	NRSA63J-273X	MG RESISTOR	27kΩ 1/16W J		L9201	QQL26AK-100Z	COIL	10uH K	
R4851	QRE141J-221Y	C RESISTOR	220Ω 1/4W J		L9301	QQL31AK-220Z	COIL	22uH K	
R4852	QRE141J-100Y	C RESISTOR	10Ω 1/4W J		L9401	QQL31AK-220Z	COIL	22uH K	
R4854	NRSA63J-0R0X	MG RESISTOR	0Ω 1/16W J		L9501	QQL31AK-220Z	COIL	22uH K	
R4921	NRSA63J-102X	MG RESISTOR	1kΩ 1/16W J		L9601	QQL244K-R22Z	COIL	0.22uH K	
R4922	QRE141J-132Y	C RESISTOR	1.3kΩ 1/4W J		△ L9901	QQR0908-001	LINE FILTER		
R4931	NRSA63J-223X	MG RESISTOR	22kΩ 1/16W J		△ T9901	QQS0393-001	SW TRANSF		
R4932	NRSA63J-393X	MG RESISTOR	39kΩ 1/16W J		CN401	QGF1205C2-06	CONNECTOR	FFC/FPC (1-6)	
R4934	NRSA63J-102X	MG RESISTOR	1kΩ 1/16W J		CN402	QGF1205C2-05	CONNECTOR	FFC/FPC (1-5)	
R4935	NRSA63J-472X	MG RESISTOR	4.7kΩ 1/16W J		CN421	QGA2536C1-10	CONNECTOR	W-B (1-10)	
R4941	NRSA63J-223X	MG RESISTOR	22kΩ 1/16W J		CN422	QGB1214J1-20S	CONNECTOR	B-B (1-20)	
R4942	NRSA63J-103X	MG RESISTOR	10kΩ 1/16W J		CN428	QGB1214K1-20S	CONNECTOR	B-B (1-20)	
R4943	NRSA63J-563X	MG RESISTOR	56kΩ 1/16W J		CN429	QGB1214K1-20S	CONNECTOR	B-B (1-20)	
R4944	NRSA63J-473X	MG RESISTOR	47kΩ 1/16W J		CN441	QGF1205C2-15	CONNECTOR	FFC/FPC (1-15)	
R4951	NRSA63J-103X	MG RESISTOR	10kΩ 1/16W J		CN451	QGF1036C2-19	CONNECTOR	FFC/FPC (1-19)	
R4952	NRSA63J-223X	MG RESISTOR	22kΩ 1/16W J		CN461	QGF1036C2-07	CONNECTOR	FFC/FPC (1-7)	
R4953	NRSA63J-334X	MG RESISTOR	330kΩ 1/16W J		CN463	QGF1036C2-19	CONNECTOR	FFC/FPC (1-19)	
R4954	NRSA63J-102X	MG RESISTOR	1kΩ 1/16W J		CN471	QGF1036C2-05	CONNECTOR	FFC/FPC (1-5)	
R4955	NRSA63J-563X	MG RESISTOR	56kΩ 1/16W J		CN472	QGF1036C2-26	CONNECTOR	FFC/FPC (1-26)	
R4956	NRSA63J-563X	MG RESISTOR	56kΩ 1/16W J		CN473	QGF1036C2-09	CONNECTOR	FFC/FPC (1-9)	
R4961	QRE141J-100Y	C RESISTOR	10Ω 1/4W J		CN901	QGA2536C1-12	CONNECTOR	W-B (1-12)	
R4962	NRSA63J-432X	MG RESISTOR	4.3kΩ 1/16W J		△ CN991	QGA7901F2-02	CONNECTOR	W-B (1-2)	
R4963	NRSA63J-273X	MG RESISTOR	27kΩ 1/16W J		△ CP495	ICP-N15-T	IC PROTECTOR	600mA	
R4966	NRSA63J-222X	MG RESISTOR	2.2kΩ 1/16W J		EP401	QNZ0136-001Z	EARTH PLATE		
R4971	NRSA63J-222X	MG RESISTOR	2.2kΩ 1/16W J		EP411	QNZ0136-001Z	EARTH PLATE		
R4972	NRSA63J-561X	MG RESISTOR	560Ω 1/16W J		EP501	QNZ0136-001Z	EARTH PLATE		
R4973	NRSA63J-361X	MG RESISTOR	360Ω 1/16W J		EP961	QNZ0136-001Z	EARTH PLATE		
R4974	NRSA63J-751X	MG RESISTOR	750Ω 1/16W J		EP991	QNZ0136-001Z	EARTH PLATE		
R4975	NRSA63J-271X	MG RESISTOR	270Ω 1/16W J		FC991	QNG0003-001Z	FUSE CLIP		
R4976	NRSA63J-563X	MG RESISTOR	56kΩ 1/16W J		FC992	QNG0003-001Z	FUSE CLIP		
R4977	NRSA63J-333X	MG RESISTOR	33kΩ 1/16W J		HS991	LV40057-001A	HEAT SINK		
R5101	NRSA63J-102X	MG RESISTOR	1kΩ 1/16W J		J5301	QNS0266-001	JACK		
R5102	NRSA63J-104X	MG RESISTOR	100kΩ 1/16W J		J5302	QNS0266-001	JACK		
R5103	NRSA63J-102X	MG RESISTOR	1kΩ 1/16W J		J5401	QNS0266-001	JACK		
R5104	NRSA63J-392X	MG RESISTOR	3.9kΩ 1/16W J		J5404	QNZ0851-001	USB CONNECTOR		
R5105	NRSA63J-334X	MG RESISTOR	330kΩ 1/16W J		K4001	QQR0621-001Z	COIL		
R5107	NRSA63J-471X	MG RESISTOR	470Ω 1/16W J		K4002	QQR0621-001Z	COIL		
R5108	NRSA63J-683X	MG RESISTOR	68kΩ 1/16W J		K5003	NQR0022-005X	FERRITE BEADS		
R5109	NRSA63J-472X	MG RESISTOR	4.7kΩ 1/16W J		K5102	NQR0022-005X	FERRITE BEADS		
R5112	NRSA63J-101X	MG RESISTOR	100Ω 1/16W J		K5202	NQR0022-005X	FERRITE BEADS		
R5201	NRSA63J-102X	MG RESISTOR	1kΩ 1/16W J		K5401	NQR0022-005X	FERRITE BEADS		
R5202	NRSA63J-104X	MG RESISTOR	100kΩ 1/16W J		K5402	NQR0022-005X	FERRITE BEADS		
R5203	NRSA63J-102X	MG RESISTOR	1kΩ 1/16W J		K5403	NQR0022-005X	FERRITE BEADS		
R5204	NRSA63J-392X	MG RESISTOR	3.9kΩ 1/16W J		K5404	NQR0022-005X	FERRITE BEADS		
R5205	NRSA63J-334X	MG RESISTOR	330kΩ 1/16W J		K5407	NQR0022-002X	FERRITE BEADS		
R5207	NRSA63J-471X	MG RESISTOR	470Ω 1/16W J		K5408	NQR0022-002X	FERRITE BEADS		
R5208	NRSA63J-683X	MG RESISTOR	68kΩ 1/16W J		WC401	QZW0112-001	WIRE CLAMP		
R5209	NRSA63J-472X	MG RESISTOR	4.7kΩ 1/16W J		X4201	QAX0246-001Z	C RESONATOR	8.00MHz	
R5212	NRSA63J-101X	MG RESISTOR	100Ω 1/16W J						
R5301	NRSA63J-562X	MG RESISTOR	5.6kΩ 1/16W J						
R5302	NRSA63J-104X	MG RESISTOR	100kΩ 1/16W J						
R5304	NRSA63J-102X	MG RESISTOR	1kΩ 1/16W J						
R5305	NRSA63J-102X	MG RESISTOR	1kΩ 1/16W J						
R5306	NRSA63J-102X	MG RESISTOR	1kΩ 1/16W J						
R5307	NRSA63J-102X	MG RESISTOR	1kΩ 1/16W J						
R5308	NRSA63J-102X	MG RESISTOR	1kΩ 1/16W J						
R5401	NRSA63J-102X	MG RESISTOR	1kΩ 1/16W J						
R9201	NRSA63J-333X	MG RESISTOR	33kΩ 1/16W J						

Audio board

Block No. [0][2]

Symbol No.	Part No.	Part Name	Description	Local
IC200	R2S15902FP	IC		
IC201	NJM4565M-WE	IC		
IC202	NJM4565M-WE	IC		
IC203	NJM4565M-WE	IC		
IC204	NJM4565M-WE	IC		
IC205	CD4066BM-X	IC		
IC221	NJM4565M-WE	IC		
IC231	NJM4565M-WE	IC		
IC261	GP1FAV30TK0F	OPT TRANSMITTER		
IC271	GP1FAV30RK0F	OPT RECEIVER		
IC561	GP1UM271XKVF	IR DETECT UNIT		
IC601	MM1623XF-X	IC		
Q2021	KTA1504/YG/-X	TRANSISTOR		
Q2022	KTA1504/YG/-X	TRANSISTOR		
Q2023	KTC3875/YG/-X	TRANSISTOR		
Q2024	KTC3875/YG/-X	TRANSISTOR		
Q2025	KTC3875/YG/-X	TRANSISTOR		
Q2032	KRA104S-X	DIGI TRANSISTOR		
Q2035	KRC104S-X	TRANSISTOR		
Q2036	KRC104S-X	TRANSISTOR		
Q2101	KTC3875/YG/-X	TRANSISTOR		
Q2201	KTC3875/YG/-X	TRANSISTOR		
Q2601	2SD2114K/VW/-X	TRANSISTOR		
Q2602	2SD2114K/VW/-X	TRANSISTOR		
Q2801	KRA104S-X	DIGI TRANSISTOR		
Q2803	IMX9-W	TRANSISTOR		
Q2804	IMX9-W	TRANSISTOR		
Q2805	IMX9-W	TRANSISTOR		
Q2806	KRA104S-X	DIGI TRANSISTOR		
Q2807	KRA104S-X	DIGI TRANSISTOR		
Q2808	KRA104S-X	DIGI TRANSISTOR		
Q2901	KTC3203/OY/-T	TRANSISTOR		
Q5601	KRC102S-X	DIGI TRANSISTOR		
Q5602	KTC3875/YG/-X	TRANSISTOR		
Q5661	KTC3875/YG/-X	TRANSISTOR		
Q6451	KRA102S-X	DIGI TRANSISTOR		
Q6452	KRC102S-X	DIGI TRANSISTOR		
Q6453	KRC102S-X	DIGI TRANSISTOR		
Q6454	KRC102S-X	DIGI TRANSISTOR		
D2051	MTZJ6.2C-T2	Z DIODE		
D2701	MTZJ5.6B-T2	Z DIODE		
D2821	1SS133-T2	SI DIODE		
D2822	1SS133-T2	SI DIODE		
D2823	1SS133-T2	SI DIODE		
D2901	MTZJ11A-T2	Z DIODE		
D5661	SELU1E54CM-P	LED		
D5801	SLR-343VC/NPQ-T	LED		
D5802	SELU1E54CM-P	LED		
C2021	QETN1HM-104Z	E CAPACITOR	0.1uF 50V M	
C2022	NDC31HJ-470X	C CAPACITOR	47pF 50V J	
C2023	QETN1HM-225Z	E CAPACITOR	2.2uF 50V M	
C2024	QETN1HM-107Z	E CAPACITOR	100uF 50V M	
C2025	NDC31HJ-100X	C CAPACITOR	10pF 50V J	
C2026	NCB31HK-471X	C CAPACITOR	470pF 50V K	
C2027	NCB31HK-221X	C CAPACITOR	220pF 50V K	
C2028	QETN1HM-106Z	E CAPACITOR	10uF 50V M	
C2029	NCB31HK-333X	C CAPACITOR	0.033uF 50V K	
C2030	NCB31HK-473X	C CAPACITOR	0.047uF 50V K	
C2033	NDC31HJ-100X	C CAPACITOR	10pF 50V J	
C2051	NCB31HK-102X	C CAPACITOR	1000pF 50V K	
C2052	NCB31HK-221X	C CAPACITOR	220pF 50V K	
C2053	NCB31HK-221X	C CAPACITOR	220pF 50V K	
C2061	NCB31CK-104X	C CAPACITOR	0.1uF 16V K	
C2063	QETN1EM-476Z	E CAPACITOR	47uF 25V M	
C2071	NCB31CK-104X	C CAPACITOR	0.1uF 16V K	
C2073	QETN1EM-476Z	E CAPACITOR	47uF 25V M	
C2101	QETN1HM-475Z	E CAPACITOR	4.7uF 50V M	
C2102	QETN1HM-105Z	E CAPACITOR	1uF 50V M	
C2103	QTE1J60-106Z	E CAPACITOR	10uF 63V	
C2104	QETN1HM-475Z	E CAPACITOR	4.7uF 50V M	
C2105	QETN1HM-225Z	E CAPACITOR	2.2uF 50V M	

Symbol No.	Part No.	Part Name	Description	Local
C2106	QFG32AJ-393	PP CAPACITOR	0.039uF 100V J	
C2107	QFVF1HJ-154Z	MF CAPACITOR	0.15uF 50V J	
C2108	QFG32AJ-223Z	PP CAPACITOR	0.022uF 100V J	
C2109	QTE1J60-106Z	E CAPACITOR	10uF 63V	
C2110	QTE1J60-106Z	E CAPACITOR	10uF 63V	
C2111	QTE1J60-106Z	E CAPACITOR	10uF 63V	
C2112	NFV41HJ-151X	MPPS CAPACITOR	150pF 50V J	
C2113	QTE1J60-106Z	E CAPACITOR	10uF 63V	
C2114	NDC31HJ-101X	C CAPACITOR	100pF 50V J	
C2115	QTE1J60-106Z	E CAPACITOR	10uF 63V	
C2116	QEK1HM-225Z	E CAPACITOR	2.2uF 50V M	
C2131	NDC31HJ-560X	C CAPACITOR	56pF 50V J	
C2132	QETN1AM-227Z	E CAPACITOR	220uF 10V M	
C2133	QFLC1HJ-272Z	M CAPACITOR	2700pF 50V J	
C2134	QFLC1HJ-272Z	M CAPACITOR	2700pF 50V J	
C2141	NCB31HK-331X	C CAPACITOR	330pF 50V K	
C2142	QETN1HM-105Z	E CAPACITOR	1uF 50V M	
C2145	QETN1HM-106Z	E CAPACITOR	10uF 50V M	
C2146	QETN1HM-106Z	E CAPACITOR	10uF 50V M	
C2147	QEK1HM-225Z	E CAPACITOR	2.2uF 50V M	
C2148	QFG32AJ-682Z	PP CAPACITOR	6800pF 100V J	DD3B, DD3E, DD3E N,DD 3EV,D D3EE
C2201	QETN1HM-475Z	E CAPACITOR	4.7uF 50V M	
C2202	QETN1HM-105Z	E CAPACITOR	1uF 50V M	
C2203	QTE1J60-106Z	E CAPACITOR	10uF 63V	
C2204	QETN1HM-475Z	E CAPACITOR	4.7uF 50V M	
C2205	QETN1HM-225Z	E CAPACITOR	2.2uF 50V M	
C2206	QFG32AJ-393	PP CAPACITOR	0.039uF 100V J	
C2207	QFVF1HJ-154Z	MF CAPACITOR	0.15uF 50V J	
C2208	QFG32AJ-223Z	PP CAPACITOR	0.022uF 100V J	
C2209	QTE1J60-106Z	E CAPACITOR	10uF 63V	
C2210	QTE1J60-106Z	E CAPACITOR	10uF 63V	
C2211	QTE1J60-106Z	E CAPACITOR	10uF 63V	
C2212	NFV41HJ-151X	MPPS CAPACITOR	150pF 50V J	
C2213	QTE1J60-106Z	E CAPACITOR	10uF 63V	
C2214	NDC31HJ-101X	C CAPACITOR	100pF 50V J	
C2215	QTE1J60-106Z	E CAPACITOR	10uF 63V	
C2216	QEK1HM-225Z	E CAPACITOR	2.2uF 50V M	
C2231	NDC31HJ-560X	C CAPACITOR	56pF 50V J	
C2232	QETN1AM-227Z	E CAPACITOR	220uF 10V M	
C2233	QFLC1HJ-272Z	M CAPACITOR	2700pF 50V J	
C2234	QFLC1HJ-272Z	M CAPACITOR	2700pF 50V J	
C2241	NCB31HK-331X	C CAPACITOR	330pF 50V K	
C2242	QETN1HM-105Z	E CAPACITOR	1uF 50V M	
C2245	QETN1HM-106Z	E CAPACITOR	10uF 50V M	
C2246	QETN1HM-106Z	E CAPACITOR	10uF 50V M	
C2247	QEK1HM-225Z	E CAPACITOR	2.2uF 50V M	DD3B, DD3E, DD3E N,DD 3EV,D D3EE
C2248	QFG32AJ-682Z	PP CAPACITOR	6800pF 100V J	DD3B, DD3E, DD3E N,DD 3EV,D D3EE
C2301	QTE1J60-106Z	E CAPACITOR	10uF 63V	
C2302	QTE1J60-106Z	E CAPACITOR	10uF 63V	
C2303	NFV41HJ-151X	MPPS CAPACITOR	150pF 50V J	
C2304	QTE1J60-106Z	E CAPACITOR	10uF 63V	
C2305	QEK1HM-225Z	E CAPACITOR	2.2uF 50V M	
C2306	NDC31HJ-101X	C CAPACITOR	100pF 50V J	
C2307	QTE1J60-106Z	E CAPACITOR	10uF 63V	
C2308	QFLC1HJ-272Z	M CAPACITOR	2700pF 50V J	
C2401	QTE1J60-106Z	E CAPACITOR	10uF 63V	
C2402	QTE1J60-106Z	E CAPACITOR	10uF 63V	
C2403	NFV41HJ-151X	MPPS CAPACITOR	150pF 50V J	
C2404	QTE1J60-106Z	E CAPACITOR	10uF 63V	
C2405	QEK1HM-225Z	E CAPACITOR	2.2uF 50V M	
C2406	NDC31HJ-101X	C CAPACITOR	100pF 50V J	
C2407	QTE1J60-106Z	E CAPACITOR	10uF 63V	
C2408	QFLC1HJ-272Z	M CAPACITOR	2700pF 50V J	
C2501	QTE1J60-106Z	E CAPACITOR	10uF 63V	
C2503	QTE1J60-106Z	E CAPACITOR	10uF 63V	
C2506	QTE1J60-106Z	E CAPACITOR	10uF 63V	
C2507	QTE1J60-106Z	E CAPACITOR	10uF 63V	
C2511	QFLC1HJ-272Z	M CAPACITOR	2700pF 50V J	
C2601	QTE1J60-106Z	E CAPACITOR	10uF 63V	

△ Symbol No.	Part No.	Part Name	Description	Local	△ Symbol No.	Part No.	Part Name	Description	Local
C2602	QTE1J60-106Z	E CAPACITOR	10uF 63V		R2034	NRSA63J-104X	MG RESISTOR	100kΩ 1/16W J	
C2603	NCB31HK-222X	C CAPACITOR	2200pF 50V K		R2035	NRSA63J-103X	MG RESISTOR	10kΩ 1/16W J	
C2604	QTE1J60-106Z	E CAPACITOR	10uF 63V		R2036	NRSA63J-224X	MG RESISTOR	220kΩ 1/16W J	
C2605	QTE1J60-106Z	E CAPACITOR	10uF 63V		R2037	NRSA63J-103X	MG RESISTOR	10kΩ 1/16W J	
C2606	QFLC1HJ-272Z	M CAPACITOR	2700pF 50V J		R2038	NRSA63J-104X	MG RESISTOR	100kΩ 1/16W J	
C2701	QTE1E60-476Z	E CAPACITOR	47uF 25V		R2039	NRSA63J-563X	MG RESISTOR	56kΩ 1/16W J	
C2703	QTE1E60-476Z	E CAPACITOR	47uF 25V		R2040	NRSA63J-104X	MG RESISTOR	100kΩ 1/16W J	
C2801	NCB31HK-103X	C CAPACITOR	0.01uF 50V K		R2041	NRSA63J-123X	MG RESISTOR	12kΩ 1/16W J	
C2802	NCB31HK-103X	C CAPACITOR	0.01uF 50V K		R2042	QRE141J-560Y	C RESISTOR	56Ω 1/4W J	
C2803	QTE1H60-226Z	E CAPACITOR	22uF 50V		R2043	NRSA63J-103X	MG RESISTOR	10kΩ 1/16W J	
C2804	NCB31CK-104X	C CAPACITOR	0.1uF 16V K		R2101	NRSA63J-221X	MG RESISTOR	22kΩ 1/16W J	
C2805	NCB31HK-103X	E CAPACITOR	0.01uF 50V K		R2102	NRSA63J-562X	MG RESISTOR	5.6kΩ 1/16W J	
C2806	QETN1CM-107Z	E CAPACITOR	100uF 16V M		R2103	NRSA63J-221X	MG RESISTOR	220Ω 1/16W J	
C2807	NCB31CK-104X	C CAPACITOR	0.1uF 16V K		R2104	NRSA63J-221X	MG RESISTOR	220Ω 1/16W J	
C2808	QEKC1HM-225Z	E CAPACITOR	2.2uF 50V M		R2105	NRSA63J-153X	MG RESISTOR	15kΩ 1/16W J	
C2809	QETN1HM-225Z	E CAPACITOR	2.2uF 50V M		R2106	NRSA63J-104X	MG RESISTOR	100kΩ 1/16W J	
C2810	NCB31HK-103X	C CAPACITOR	0.01uF 50V K		R2107	NRSA63J-103X	MG RESISTOR	10kΩ 1/16W J	
C2811	QEKC1HM-226Z	E CAPACITOR	22uF 50V M		R2108	NRSA63J-332X	MG RESISTOR	3.3kΩ 1/16W J	
C2812	QETN1HM-106Z	E CAPACITOR	10uF 50V M		R2109	NRSA63J-101X	MG RESISTOR	100Ω 1/16W J	
C2813	QEKC1EM-476Z	E CAPACITOR	47uF 25V M		R2110	NRSA63J-104X	MG RESISTOR	100kΩ 1/16W J	
C2814	QEKC1VM-476Z	E CAPACITOR	47uF 35V M		R2112	NRSA63J-102X	MG RESISTOR	1kΩ 1/16W J	
C2815	QEKC1EM-476Z	E CAPACITOR	47uF 25V M		R2113	NRSA63J-104X	MG RESISTOR	100kΩ 1/16W J	
C2817	NDC31HJ-101X	C CAPACITOR	100pF 50V J		R2114	NRSA63J-913X	MG RESISTOR	91kΩ 1/16W J	
C2921	QTE1E60-476Z	E CAPACITOR	47uF 25V		R2115	NRSA63J-472X	MG RESISTOR	4.7kΩ 1/16W J	
C2922	QTE1C60-107Z	E CAPACITOR	100uF 16V		R2116	NRSA63J-221X	MG RESISTOR	220Ω 1/16W J	
C2931	QETN1CM-107Z	E CAPACITOR	100uF 16V M		R2119	NRSA63J-101X	MG RESISTOR	100Ω 1/16W J	
C5601	NCB31HK-104X	C CAPACITOR	0.1uF 50V K		R2120	NRSA63J-104X	MG RESISTOR	100kΩ 1/16W J	
C5602	NCB31HK-104X	C CAPACITOR	0.1uF 50V K		R2121	NRSA63J-472X	MG RESISTOR	4.7kΩ 1/16W J	
C5603	QER61CM-107Z	E CAPACITOR	100uF 16V M		R2122	NRSA63J-472X	MG RESISTOR	4.7kΩ 1/16W J	
C5609	NCB31HK-104X	C CAPACITOR	0.1uF 50V K						DD3B, DD3E, DD3E N,DD 3EV,D D3EE
C5611	NDC31HJ-101X	C CAPACITOR	100pF 50V J						
C5651	NCB31HK-102X	C CAPACITOR	1000pF 50V K		R2123	NRSA63J-682X	MG RESISTOR	6.8kΩ 1/16W J	
C5652	QER61CM-226Z	E CAPACITOR	22uF 16V M						
C5661	NCB31HK-103X	C CAPACITOR	0.01uF 50V K						
C5662	NCB31HK-104X	C CAPACITOR	0.1uF 50V K		R2201	NRSA63J-221X	MG RESISTOR	220Ω 1/16W J	
C5663	NDC31HJ-101X	C CAPACITOR	100pF 50V J		R2202	NRSA63J-562X	MG RESISTOR	5.6kΩ 1/16W J	
C5801	NCB31HK-103X	C CAPACITOR	0.01uF 50V K		R2203	NRSA63J-221X	MG RESISTOR	220Ω 1/16W J	
C5802	NCB31HK-103X	C CAPACITOR	0.01uF 50V K		R2204	NRSA63J-221X	MG RESISTOR	220Ω 1/16W J	
C6001	QETN1AM-477Z	E CAPACITOR	470uF 10V M		R2205	NRSA63J-153X	MG RESISTOR	15kΩ 1/16W J	
C6002	NCB31CK-104X	C CAPACITOR	0.1uF 16V K		R2206	NRSA63J-104X	MG RESISTOR	100kΩ 1/16W J	
C6003	QETN1HM-226Z	E CAPACITOR	22uF 50V M		R2207	NRSA63J-103X	MG RESISTOR	10kΩ 1/16W J	
C6004	NCB31CK-104X	C CAPACITOR	0.1uF 16V K		R2208	NRSA63J-332X	MG RESISTOR	3.3kΩ 1/16W J	
C6201	NCB30JK-105X	C CAPACITOR	1uF 6.3V K		R2209	NRSA63J-101X	MG RESISTOR	100Ω 1/16W J	
C6211	NCB30JK-105X	C CAPACITOR	1uF 6.3V K		R2210	NRSA63J-104X	MG RESISTOR	100kΩ 1/16W J	
C6221	NCB31HK-103X	C CAPACITOR	0.01uF 50V K		R2212	NRSA63J-102X	MG RESISTOR	1kΩ 1/16W J	
C6231	NCB30JK-105X	C CAPACITOR	1uF 6.3V K		R2213	NRSA63J-104X	MG RESISTOR	100kΩ 1/16W J	
C6241	NCB30JK-105X	C CAPACITOR	1uF 6.3V K		R2214	NRSA63J-913X	MG RESISTOR	91kΩ 1/16W J	
C6251	NCB30JK-105X	C CAPACITOR	1uF 6.3V K		R2215	NRSA63J-472X	MG RESISTOR	4.7kΩ 1/16W J	
C6301	QETN1AM-477Z	E CAPACITOR	470uF 10V M		R2216	NRSA63J-221X	MG RESISTOR	220Ω 1/16W J	
C6331	QETN1AM-477Z	E CAPACITOR	470uF 10V M		R2219	NRSA63J-101X	MG RESISTOR	100Ω 1/16W J	
C6341	QETN1AM-477Z	E CAPACITOR	470uF 10V M		R2220	NRSA63J-104X	MG RESISTOR	100kΩ 1/16W J	
C6351	QETN1AM-477Z	E CAPACITOR	470uF 10V M		R2221	NRSA63J-472X	MG RESISTOR	4.7kΩ 1/16W J	
C6401	NDC31HJ-470X	C CAPACITOR	47pF 50V J		R2222	NRSA63J-472X	MG RESISTOR	4.7kΩ 1/16W J	
C6411	NDC31HJ-470X	C CAPACITOR	47pF 50V J						
C6421	NDC31HJ-470X	C CAPACITOR	47pF 50V J						DD3B, DD3E, DD3E N,DD 3EV,D D3EE
C6441	NDC31HJ-470X	C CAPACITOR	47pF 50V J		R2223	NRSA63J-682X	MG RESISTOR	6.8kΩ 1/16W J	
C6451	NCB31HK-103X	C CAPACITOR	0.01uF 50V K						
C6471	NCB31HK-331X	C CAPACITOR	330pF 50V K						
C6472	QETN1HM-105Z	E CAPACITOR	1uF 50V M		R2301	NRSA63J-221X	MG RESISTOR	220Ω 1/16W J	
C6475	NCB31HK-331X	C CAPACITOR	330pF 50V K		R2302	NRSA63J-153X	MG RESISTOR	15kΩ 1/16W J	
C6481	NCB31HK-331X	C CAPACITOR	330pF 50V K		R2303	NRSA63J-104X	MG RESISTOR	100kΩ 1/16W J	
C6482	QETN1HM-105Z	E CAPACITOR	1uF 50V M						
C6485	NCB31HK-331X	C CAPACITOR	330pF 50V K						DD8B, DD8E, DD8E N,DD 8EV,D D8EE
C6701	NDC31HJ-470X	C CAPACITOR	47pF 50V J						
C6711	NDC31HJ-470X	C CAPACITOR	47pF 50V J		R2304	NRSA63J-331X	MG RESISTOR	330Ω 1/16W J	
C6721	NDC31HJ-470X	C CAPACITOR	47pF 50V J						
R2021	NRSA63J-104X	MG RESISTOR	100kΩ 1/16W J						
R2022	NRSA63J-104X	MG RESISTOR	100kΩ 1/16W J						
R2025	NRSA63J-224X	MG RESISTOR	220kΩ 1/16W J						
R2026	NRSA63J-104X	MG RESISTOR	100kΩ 1/16W J		R2304	NRSA63J-681X	MG RESISTOR	680Ω 1/16W J	
R2027	NRSA63J-102X	MG RESISTOR	1kΩ 1/16W J						
R2028	NRSA63J-103X	MG RESISTOR	10kΩ 1/16W J						
R2029	NRSA63J-222X	MG RESISTOR	2.2kΩ 1/16W J						DD8B, DD8E, DD8E N,DD 8EV,D D8EE
R2030	NRSA63J-333X	MG RESISTOR	33kΩ 1/16W J						
R2031	NRSA63J-683X	MG RESISTOR	68kΩ 1/16W J		R2305	NRSA63J-332X	MG RESISTOR	3.3kΩ 1/16W J	
R2032	NRSA63J-104X	MG RESISTOR	100kΩ 1/16W J						
R2033	NRSA63J-224X	MG RESISTOR	220kΩ 1/16W J						

△ Symbol No.	Part No.	Part Name	Description	Local	△ Symbol No.	Part No.	Part Name	Description	Local
R2305	NRSA63J-392X	MG RESISTOR	3.9kΩ 1/16W J	DD3B, DD3E, DD3E, N,DD 3EV,D D3EE	R2825	NRSA63J-221X	MG RESISTOR	220Ω 1/16W J	
R2306	NRSA63J-101X	MG RESISTOR	100Ω 1/16W J		△ R2826	QRZ9015-4R7X	FUSI RESISTOR	4.7Ω	
R2307	NRSA63J-104X	MG RESISTOR	100kΩ 1/16W J		R2827	NRSA63J-222X	MG RESISTOR	2.2kΩ 1/16W J	
R2308	NRSA63J-104X	MG RESISTOR	100kΩ 1/16W J		R2828	NRSA63J-102X	MG RESISTOR	1kΩ 1/16W J	
R2401	NRSA63J-221X	MG RESISTOR	220Ω 1/16W J		R2829	NRSA63J-102X	MG RESISTOR	1kΩ 1/16W J	
R2402	NRSA63J-153X	MG RESISTOR	15kΩ 1/16W J		R2830	NRSA63J-471X	MG RESISTOR	470Ω 1/16W J	
R2403	NRSA63J-104X	MG RESISTOR	100kΩ 1/16W J		R2832	QRE141J-151Y	C RESISTOR	150Ω 1/4W J	
R2404	NRSA63J-331X	MG RESISTOR	330Ω 1/16W J	DD8B, DD8E, DD8E, N,DD 8EV,D D8EE DD3B, DD3E, DD3E, N,DD 3EV,D D3EE	R2833	QRE141J-151Y	C RESISTOR	150Ω 1/4W J	
R2404	NRSA63J-681X	MG RESISTOR	680Ω 1/16W J		R2834	QRE141J-151Y	C RESISTOR	150Ω 1/4W J	
R2405	NRSA63J-332X	MG RESISTOR	3.3kΩ 1/16W J		R2835	QRE141J-151Y	C RESISTOR	150Ω 1/4W J	
R2405	NRSA63J-392X	MG RESISTOR	3.9kΩ 1/16W J		R2836	QRE141J-221Y	C RESISTOR	220Ω 1/4W J	
R2406	NRSA63J-101X	MG RESISTOR	100Ω 1/16W J		△ R2837	QRZ9015-4R7X	FUSI RESISTOR	4.7Ω	
R2407	NRSA63J-104X	MG RESISTOR	100kΩ 1/16W J		R2851	NRSA63J-221X	MG RESISTOR	220Ω 1/16W J	
R2408	NRSA63J-104X	MG RESISTOR	100kΩ 1/16W J		R2852	NRSA63J-221X	MG RESISTOR	220Ω 1/16W J	
R2501	NRSA63J-221X	MG RESISTOR	220Ω 1/16W J		R2861	NRSA63J-101X	MG RESISTOR	100Ω 1/16W J	
R2504	NRSA63J-104X	MG RESISTOR	100kΩ 1/16W J		R2922	NRSA63J-271X	MG RESISTOR	270Ω 1/16W J	
R2506	NRSA63J-153X	MG RESISTOR	15kΩ 1/16W J		R2931	NRSA63J-333X	MG RESISTOR	33kΩ 1/16W J	
R2507	NRSA63J-363X	MG RESISTOR	36kΩ 1/16W J		R2932	NRSA63J-303X	MG RESISTOR	30kΩ 1/16W J	
R2509	NRSA63J-0R0X	MG RESISTOR	0Ω 1/16W J		R2933	NRSA63J-473X	MG RESISTOR	47kΩ 1/16W J	
R2510	NRSA63J-153X	MG RESISTOR	15kΩ 1/16W J		R2934	NRSA63J-473X	MG RESISTOR	47kΩ 1/16W J	
R2511	NRSA63J-153X	MG RESISTOR	15kΩ 1/16W J		R2935	NRSA63J-472X	MG RESISTOR	4.7kΩ 1/16W J	
R2516	NRSA63J-104X	MG RESISTOR	100kΩ 1/16W J		R2936	NRSA63J-472X	MG RESISTOR	4.7kΩ 1/16W J	
R2518	NRSA63J-0R0X	MG RESISTOR	0Ω 1/16W J		R2961	NRSA63J-101X	MG RESISTOR	100Ω 1/16W J	
R2601	NRSA63J-221X	MG RESISTOR	220Ω 1/16W J		R5502	NRSA63J-392X	MG RESISTOR	3.9kΩ 1/16W J	
R2604	NRSA63J-222X	MG RESISTOR	2.2kΩ 1/16W J		R5503	NRSA63J-472X	MG RESISTOR	4.7kΩ 1/16W J	
R2605	NRSA63J-103X	MG RESISTOR	10kΩ 1/16W J		R5504	NRSA63J-822X	MG RESISTOR	8.2kΩ 1/16W J	
R2606	NRSA63J-103X	MG RESISTOR	10kΩ 1/16W J		R5506	NRSA63J-392X	MG RESISTOR	3.9kΩ 1/16W J	
R2607	NRSA63J-333X	MG RESISTOR	33kΩ 1/16W J		R5507	NRSA63J-472X	MG RESISTOR	4.7kΩ 1/16W J	
R2608	NRSA63J-333X	MG RESISTOR	33kΩ 1/16W J		R5601	NRSA63J-222X	MG RESISTOR	2.2kΩ 1/16W J	
R2609	NRSA63J-472X	MG RESISTOR	4.7kΩ 1/16W J		R5602	NRSA63J-222X	MG RESISTOR	2.2kΩ 1/16W J	
R2610	NRSA63J-472X	MG RESISTOR	4.7kΩ 1/16W J		R5603	NRSA63J-222X	MG RESISTOR	2.2kΩ 1/16W J	
R2611	QRE141J-390Y	C RESISTOR	39Ω 1/4W J		R5604	NRSA63J-222X	MG RESISTOR	2.2kΩ 1/16W J	
R2612	QRE141J-390Y	C RESISTOR	39Ω 1/4W J		R5605	NRSA63J-100X	MG RESISTOR	10Ω 1/16W J	
R2613	QRE141J-100Y	C RESISTOR	10Ω 1/4W J		R5606	NRSA63J-221X	MG RESISTOR	220Ω 1/16W J	
R2614	QRE141J-100Y	C RESISTOR	10Ω 1/4W J		R5661	NRSA63J-221X	MG RESISTOR	220Ω 1/16W J	
R2615	NRSA63J-104X	MG RESISTOR	100kΩ 1/16W J		R5662	NRSA63J-100X	MG RESISTOR	10Ω 1/16W J	
R2616	NRSA63J-153X	MG RESISTOR	15kΩ 1/16W J		R5663	NRSA63J-103X	MG RESISTOR	10kΩ 1/16W J	
R2617	NRSA63J-272X	MG RESISTOR	2.7kΩ 1/16W J		R5801	NRSA63J-681X	MG RESISTOR	680Ω 1/16W J	
R2618	NRSA63J-273X	MG RESISTOR	27kΩ 1/16W J		R5802	NRSA63J-0R0X	MG RESISTOR	0Ω 1/16W J	
R2619	NRSA63J-101X	MG RESISTOR	100Ω 1/16W J		R5803	NRSA63J-103X	MG RESISTOR	10kΩ 1/16W J	
R2620	NRSA63J-104X	MG RESISTOR	100kΩ 1/16W J		R5804	NRSA63J-103X	MG RESISTOR	10kΩ 1/16W J	
R2621	NRSA63J-332X	MG RESISTOR	3.3kΩ 1/16W J		R6201	NRSA63J-750X	MG RESISTOR	75Ω 1/16W J	
R2622	NRSA63J-104X	MG RESISTOR	100kΩ 1/16W J		R6202	NRSA63J-750X	MG RESISTOR	75Ω 1/16W J	
R2623	NRSA63J-332X	MG RESISTOR	3.3kΩ 1/16W J		R6211	NRSA63J-750X	MG RESISTOR	75Ω 1/16W J	
R2624	NRSA63J-102X	MG RESISTOR	1kΩ 1/16W J		R6212	NRSA63J-750X	MG RESISTOR	75Ω 1/16W J	
R2625	NRSA63J-222X	MG RESISTOR	2.2kΩ 1/16W J		R6221	NRSA63J-750X	MG RESISTOR	75Ω 1/16W J	
R2626	NRSA63J-332X	MG RESISTOR	3.3kΩ 1/16W J		R6222	NRSA63J-750X	MG RESISTOR	75Ω 1/16W J	
R2701	NRSA63J-472X	MG RESISTOR	4.7kΩ 1/16W J		R6231	NRSA63J-750X	MG RESISTOR	75Ω 1/16W J	
R2702	NRSA63J-472X	MG RESISTOR	4.7kΩ 1/16W J		R6232	NRSA63J-750X	MG RESISTOR	75Ω 1/16W J	
R2703	NRSA63J-222X	MG RESISTOR	2.2kΩ 1/16W J		R6241	NRSA63J-750X	MG RESISTOR	75Ω 1/16W J	
R2705	NRSA63J-472X	MG RESISTOR	4.7kΩ 1/16W J		R6242	NRSA63J-750X	MG RESISTOR	75Ω 1/16W J	
R2801	NRSA63J-102X	MG RESISTOR	1kΩ 1/16W J		R6251	NRSA63J-750X	MG RESISTOR	75Ω 1/16W J	
R2803	NRSA63J-332X	MG RESISTOR	3.3kΩ 1/16W J		R6252	NRSA63J-750X	MG RESISTOR	75Ω 1/16W J	
R2804	NRSA63J-332X	MG RESISTOR	3.3kΩ 1/16W J		R6401	NRSA63J-750X	MG RESISTOR	75Ω 1/16W J	
R2805	NRSA63J-332X	MG RESISTOR	3.3kΩ 1/16W J		R6411	NRSA63J-750X	MG RESISTOR	75Ω 1/16W J	
R2806	NRSA63J-332X	MG RESISTOR	3.3kΩ 1/16W J		R6421	NRSA63J-750X	MG RESISTOR	75Ω 1/16W J	
					R6441	NRSA63J-750X	MG RESISTOR	75Ω 1/16W J	
					R6451	NRSA63J-101X	MG RESISTOR	100Ω 1/16W J	
					R6452	NRSA63J-103X	MG RESISTOR	10kΩ 1/16W J	
					R6453	NRSA63J-123X	MG RESISTOR	12kΩ 1/16W J	
					R6454	NRSA63J-821X	MG RESISTOR	820Ω 1/16W J	
					R6455	QRE141J-202Y	C RESISTOR	2kΩ 1/4W J	
					R6456	QRE141J-202Y	C RESISTOR	2kΩ 1/4W J	
					R6471	NRSA63J-184X	MG RESISTOR	180kΩ 1/16W J	
					R6472	NRSA63J-102X	MG RESISTOR	1kΩ 1/16W J	
					R6475	NRSA63J-151X	MG RESISTOR	150Ω 1/16W J	
					R6481	NRSA63J-184X	MG RESISTOR	180kΩ 1/16W J	
					R6482	NRSA63J-102X	MG RESISTOR	1kΩ 1/16W J	
					R6485	NRSA63J-151X	MG RESISTOR	150Ω 1/16W J	
					R6701	NRSA63J-750X	MG RESISTOR	75Ω 1/16W J	
					R6711	NRSA63J-750X	MG RESISTOR	75Ω 1/16W J	
					R6721	NRSA63J-750X	MG RESISTOR	75Ω 1/16W J	
					L2001	QQL244K-4R7Z	COIL	4.7uH K	
					L2061	QQL244K-4R7Z	COIL	4.7uH K	
					L2071	QQL244K-4R7Z	COIL	4.7uH K	
					L5601	QQL244K-100Z	COIL	10uH K	
					L6001	QQL25CK-221Z	COIL	220uH K	

△ Symbol No.	Part No.	Part Name	Description	Local
CN201	QGF1036F2-18	CONNECTOR	FFC/FPC (1-18)	
CN202	QGB1214J1-20S	CONNECTOR	B-B (1-20)	
CN204	QGA2016F1-15	CONNECTOR	W-B (1-15)	
CN561	QGF1036F2-19	CONNECTOR	FFC/FPC (1-19)	
CN562	QGA2016F1-08	CONNECTOR	W-B (1-8)	
CN601	QGF1036C2-07	CONNECTOR	FFC/FPC (1-7)	
CN603	QGF1036C2-19	CONNECTOR	FFC/FPC (1-19)	
DI561	QLF0178-001	FL TUBE		
FW581	QUM214-08Z4Z4-E	PARA RIBON WIRE		
J2101	QNN0735-001	PIN JACK		
J2102	QND0118-001	DIN CONNECTOR		
J6401	QNZ0625-001	RGB CONNECTOR		
J6701	QNN0675-001	PIN JACK		
K2061	QQR0621-001Z	COIL		
K2071	QQR0621-001Z	COIL		
K5601	NRSA02J-0R0X	MG RESISTOR	0Ω 1/10W J	
S5501	QSW0683-001Z	PUSH SW		
S5502	QSW0683-001Z	PUSH SW		
S5503	QSW0683-001Z	PUSH SW		
S5504	QSW0683-001Z	PUSH SW		
S5505	QSW0683-001Z	PUSH SW		
S5506	QSW0683-001Z	PUSH SW		
S5507	QSW0683-001Z	PUSH SW		
S5511	QSW0683-001Z	PUSH SW		

Lan board

Block No. [0][3]

△ Symbol No.	Part No.	Part Name	Description	Local
IC801	IP3023BG228250U	IC(MCU)		
IC811	DM9161AEP	IC		
IC821	K4S281632I-UC60	IC(DIGITAL)		
IC831	SG16A90TFIR1	IC		
IC841	MM1663DH-X	IC		
IC851	MM1701CH-X	IC		
D8001	SML-310VT/JK/-X	LED		
D8002	SML-310PT/KL/-X	LED		
C8001	NCB31HK-104X	C CAPACITOR	0.1uF 50V K	
C8002	NCB31HK-104X	C CAPACITOR	0.1uF 50V K	
C8010	NCB31HK-104X	C CAPACITOR	0.1uF 50V K	
C8011	NCB31HK-104X	C CAPACITOR	0.1uF 50V K	
C8012	NCB31HK-104X	C CAPACITOR	0.1uF 50V K	
C8014	NCB31HK-104X	C CAPACITOR	0.1uF 50V K	
C8015	NCB31HK-104X	C CAPACITOR	0.1uF 50V K	
C8016	NCB31HK-104X	C CAPACITOR	0.1uF 50V K	
C8017	NCB31HK-104X	C CAPACITOR	0.1uF 50V K	
C8018	NCB31HK-104X	C CAPACITOR	0.1uF 50V K	
C8019	NCB31HK-104X	C CAPACITOR	0.1uF 50V K	
C8020	NCB31HK-104X	C CAPACITOR	0.1uF 50V K	
C8021	NCB31HK-104X	C CAPACITOR	0.1uF 50V K	
C8022	NCB31HK-104X	C CAPACITOR	0.1uF 50V K	
C8023	NCB31HK-104X	C CAPACITOR	0.1uF 50V K	
C8024	NCB31HK-104X	C CAPACITOR	0.1uF 50V K	
C8025	NEAF0JM-107X	E CAPACITOR	100uF 6.3V M	
C8026	NCB31HK-104X	C CAPACITOR	0.1uF 50V K	
C8027	NCB31HK-104X	C CAPACITOR	0.1uF 50V K	
C8028	NCB31HK-104X	C CAPACITOR	0.1uF 50V K	
C8029	NCB31HK-104X	C CAPACITOR	0.1uF 50V K	
C8030	NEAF0JM-107X	E CAPACITOR	100uF 6.3V M	
C8031	NCB31HK-104X	C CAPACITOR	0.1uF 50V K	
C8032	NCB31HK-104X	C CAPACITOR	0.1uF 50V K	
C8033	NCB31HK-104X	C CAPACITOR	0.1uF 50V K	
C8034	NCB31HK-104X	C CAPACITOR	0.1uF 50V K	
C8035	NDC31HJ-100X	C CAPACITOR	10pF 50V J	
C8036	NDC31HJ-100X	C CAPACITOR	10pF 50V J	
C8037	NCB31HK-104X	C CAPACITOR	0.1uF 50V K	
C8039	NCB31HK-104X	C CAPACITOR	0.1uF 50V K	
C8040	NEAF0JM-107X	E CAPACITOR	100uF 6.3V M	
C8041	NCB31HK-104X	C CAPACITOR	0.1uF 50V K	
C8042	NEAF0JM-107X	E CAPACITOR	100uF 6.3V M	

△ Symbol No.	Part No.	Part Name	Description	Local
C8043	NCF31AZ-105X	C CAPACITOR	1uF 10V Z	
C8044	NCB31HK-102X	C CAPACITOR	1000pF 50V K	
C8045	NCB31HK-102X	C CAPACITOR	1000pF 50V K	
C8046	NCB31HK-102X	C CAPACITOR	1000pF 50V K	
C8047	NCB31HK-104X	C CAPACITOR	0.1uF 50V K	
C8048	NCB31HK-104X	C CAPACITOR	0.1uF 50V K	
C8049	NCB31HK-104X	C CAPACITOR	0.1uF 50V K	
C8052	NCB31HK-104X	C CAPACITOR	0.1uF 50V K	
C8053	NEAF0JM-107X	E CAPACITOR	100uF 6.3V M	
C8055	NDC31HJ-330X	C CAPACITOR	33pF 50V J	
C8101	NCB30JK-105X	C CAPACITOR	1uF 6.3V K	
C8102	NCB31HK-104X	C CAPACITOR	0.1uF 50V K	
C8103	NCB30JK-105X	C CAPACITOR	1uF 6.3V K	
C8104	NCB30JK-105X	C CAPACITOR	1uF 6.3V K	
C8105	NCB31HK-104X	C CAPACITOR	0.1uF 50V K	
C8106	NCB31HK-104X	C CAPACITOR	0.1uF 50V K	
C8107	NCB31HK-104X	C CAPACITOR	0.1uF 50V K	
C8108	NDC31HJ-220X	C CAPACITOR	22pF 50V J	
C8109	NDC31HJ-220X	C CAPACITOR	22pF 50V J	
C8110	NEAF0JM-107X	E CAPACITOR	100uF 6.3V M	
C8111	NCB31HK-104X	C CAPACITOR	0.1uF 50V K	
C8112	NCB31CK-105X	C CAPACITOR	1uF 16V K	
C8113	NCB31HK-104X	C CAPACITOR	0.1uF 50V K	
C8114	NCB31CK-105X	C CAPACITOR	1uF 16V K	
C8115	NCZ1030-102X	C CAPACITOR	1000pF	
C8116	NCB31HK-104X	C CAPACITOR	0.1uF 50V K	
C8117	NCB31HK-104X	C CAPACITOR	0.1uF 50V K	
C8201	NCB31HK-104X	C CAPACITOR	0.1uF 50V K	
C8202	NCB31HK-104X	C CAPACITOR	0.1uF 50V K	
C8203	NCB31HK-104X	C CAPACITOR	0.1uF 50V K	
C8204	NCB31HK-104X	C CAPACITOR	0.1uF 50V K	
C8205	NCB31HK-104X	C CAPACITOR	0.1uF 50V K	
C8206	NCB31HK-104X	C CAPACITOR	0.1uF 50V K	
C8207	NCB31HK-104X	C CAPACITOR	0.1uF 50V K	
C8208	NCB31HK-104X	C CAPACITOR	0.1uF 50V K	
C8209	NEAF0JM-107X	E CAPACITOR	100uF 6.3V M	
C8301	NCB31HK-104X	C CAPACITOR	0.1uF 50V K	
C8302	NCB31HK-104X	C CAPACITOR	0.1uF 50V K	
C8303	NEAF0JM-107X	E CAPACITOR	100uF 6.3V M	
C8401	NCB31HK-333X	C CAPACITOR	0.033uF 50V K	
C8402	NEAF0JM-226X	E CAPACITOR	22uF 6.3V M	
C8403	NCB31HK-103X	C CAPACITOR	0.01uF 50V K	
C8405	NCF31AZ-105X	C CAPACITOR	1uF 10V Z	
C8501	NCF31AZ-105X	C CAPACITOR	1uF 10V Z	
C8503	NCB31HK-103X	C CAPACITOR	0.01uF 50V K	
C8505	NCF31AZ-105X	C CAPACITOR	1uF 10V Z	
R8001	NRSA63J-330X	MG RESISTOR	33Ω 1/16W J	
R8005	NRSA63J-0R0X	MG RESISTOR	0Ω 1/16W J	
R8006	NRSA63J-154X	MG RESISTOR	150kΩ 1/16W J	
R8007	NRSA63J-102X	MG RESISTOR	1kΩ 1/16W J	
R8008	NRSA63J-512X	MG RESISTOR	5.1kΩ 1/16W J	
R8009	NRSA63J-512X	MG RESISTOR	5.1kΩ 1/16W J	
R8022	NRSA63J-103X	MG RESISTOR	10kΩ 1/16W J	
R8023	NRSA63J-103X	MG RESISTOR	10kΩ 1/16W J	
R8024	NRSA63J-103X	MG RESISTOR	10kΩ 1/16W J	
R8025	NRSA63J-103X	MG RESISTOR	10kΩ 1/16W J	
R8026	NRSA63J-221X	MG RESISTOR	220Ω 1/16W J	
R8027	NRSA63J-221X	MG RESISTOR	220Ω 1/16W J	
R8101	NRSA63J-103X	MG RESISTOR	10kΩ 1/16W J	
R8103	NRSA63J-0R0X	MG RESISTOR	0Ω 1/16W J	
R8104	NRSA63F-682X	MG RESISTOR	6.8kΩ 1/16W F	
R8105	NRSA63J-510X	MG RESISTOR	51Ω 1/16W J	
R8106	NRSA63J-510X	MG RESISTOR	51Ω 1/16W J	
R8107	NRSA63J-510X	MG RESISTOR	51Ω 1/16W J	
R8108	NRSA63J-510X	MG RESISTOR	51Ω 1/16W J	
R8109	NRSA63J-0R0X	MG RESISTOR	0Ω 1/16W J	
R8110	NRSA63J-221X	MG RESISTOR	220Ω 1/16W J	
R8111	NRSA63J-103X	MG RESISTOR	10kΩ 1/16W J	
R8112	NRSA63J-221X	MG RESISTOR	220Ω 1/16W J	
R8113	NRSA63J-103X	MG RESISTOR	10kΩ 1/16W J	
R8201	NRSA63J-103X	MG RESISTOR	10kΩ 1/16W J	
R8202	NRSA63J-103X	MG RESISTOR	10kΩ 1/16W J	
R8301	NRSA63J-103X	MG RESISTOR	10kΩ 1/16W J	
L8002	NQR0350-001X	FERRITE BEADS		
CN801	QGF0536C7-45W	CONNECTOR	FFC/FPC (1-45)	

△ Symbol No.	Part No.	Part Name	Description	Local	△ Symbol No.	Part No.	Part Name	Description	Local
CN803	QGA2001F6-07X	CONNECTOR	W-B (1-7)		Q3941	KTA1267/YG/-T	TRANSISTOR		
J8101	QNZ0872-001	LAN CONNECTOR			D1001	1SS133-T2	SI DIODE		
K8001	NQR0357-001X	FERRITE BEADS			D1002	1SS133-T2	SI DIODE		
K8002	NQR0357-001X	FERRITE BEADS			D1101	1SS133-T2	SI DIODE		
K8003	NQR0502-001X	FERRITE BEADS			D1102	1SS133-T2	SI DIODE		
K8004	NQR0502-001X	FERRITE BEADS			D1103	MTZJ5.1B-T2	Z DIODE		
K8101	NQR0502-001X	FERRITE BEADS			D1104	1SS133-T2	SI DIODE		
K8103	NQR0357-001X	FERRITE BEADS			D1105	1SS133-T2	SI DIODE		
K8201	NQR0502-001X	FERRITE BEADS			D1106	MTZJ30B-T2	Z DIODE		
K8301	NQR0502-001X	FERRITE BEADS			D1201	1SS133-T2	SI DIODE		
RN821	NRZ0034-330W	NET RESISTOR	33Ω 1/32W J x4		D1202	1SS133-T2	SI DIODE		
RN822	NRZ0034-330W	NET RESISTOR	33Ω 1/32W J x4		D1203	1SS133-T2	SI DIODE		
RN823	NRZ0034-330W	NET RESISTOR	33Ω 1/32W J x4		D1204	1SS133-T2	SI DIODE		
RN824	NRZ0034-330W	NET RESISTOR	33Ω 1/32W J x4		D1205	1SS133-T2	SI DIODE		
RN831	NRZ0034-330W	NET RESISTOR	33Ω 1/32W J x4		D1206	1SS133-T2	SI DIODE		
RN832	NRZ0034-330W	NET RESISTOR	33Ω 1/32W J x4		D1207	1SS133-T2	SI DIODE		
X8001	NAX0881-001X	CRYSTAL			D1208	1SS133-T2	SI DIODE		
X8101	NAX0895-001X	CRYSTAL			D1209	1SS133-T2	SI DIODE		

Main board

Block No. [0][4]

△ Symbol No.	Part No.	Part Name	Description	Local	△ Symbol No.	Part No.	Part Name	Description	Local
△ IC301	STK453-030A	IC			D1301	1SS133-T2	SI DIODE		
△ IC302	STK453-030A	IC			D1302	1SS133-T2	SI DIODE		
△ IC303	STK404-120	IC			D1303	MTZJ30B-T2	Z DIODE		
IC304	NJM4580M-X	IC			D1304	1SS133-T2	SI DIODE		
Q1101	KRA104S-X	DIGI TRANSISTOR			D1305	MTZJ15B-T2	Z DIODE		
Q1102	KTC3875/YG/-X	TRANSISTOR			D1306	MTZJ15B-T2	Z DIODE		
Q1103	KTC3875/YG/-X	TRANSISTOR			D1307	MTZJ15B-T2	Z DIODE		
Q1104	KTA1504/YG/-X	TRANSISTOR			D1401	1SS133-T2	SI DIODE		
Q1105	KRC109S-X	TRANSISTOR			D1402	1SS133-T2	SI DIODE		
Q1201	KTC3875/YG/-X	TRANSISTOR			D3001	1SS133-T2	SI DIODE		
Q1202	KTC3875/YG/-X	TRANSISTOR			D3011	MTZJ5.1B-T2	Z DIODE		
Q1301	KRA104S-X	DIGI TRANSISTOR			D3012	MA3X721D-X	SHOT KEY DIODE		
Q1302	KTC3875/YG/-X	TRANSISTOR			D3021	MTZJ5.1B-T2	Z DIODE		
Q1303	KTC3875/YG/-X	TRANSISTOR			D3022	MA3X721D-X	SHOT KEY DIODE		
Q1304	KTA1504/YG/-X	TRANSISTOR			D3031	1SS133-T2	SI DIODE		
Q1305	KTC3875/YG/-X	TRANSISTOR			D3032	1SS133-T2	SI DIODE		
Q1401	KRC104S-X	TRANSISTOR			D3041	1SS133-T2	SI DIODE		
Q1402	KTC3875/YG/-X	TRANSISTOR			D3042	MTZJ22B-T2	Z DIODE		
Q1403	KTC3875/YG/-X	TRANSISTOR			D3043	MTZJ10B-T2	Z DIODE		
Q1404	KRA102S-X	DIGI TRANSISTOR			D3044	MTZJ16B-T2	Z DIODE		
Q1405	KTC3875/YG/-X	TRANSISTOR			D3121	1SS133-T2	SI DIODE		
Q1406	KTC3875/YG/-X	TRANSISTOR			D3221	1SS133-T2	SI DIODE		
Q1407	KRC104S-X	TRANSISTOR			D3321	1SS133-T2	SI DIODE		
Q3001	KRC109S-X	TRANSISTOR			D3421	1SS133-T2	SI DIODE		
Q3002	KRC109S-X	TRANSISTOR			D3601	1SS133-T2	SI DIODE		
Q3011	KTC3199/GL/-T	TRANSISTOR			D3621	1SS133-T2	SI DIODE		
Q3012	KTA1267/YG/-T	TRANSISTOR			D3661	1SS133-T2	SI DIODE		
Q3013	KTA1504/YG/-X	TRANSISTOR			D3801	MTZJ3.3B-T2	Z DIODE		
Q3014	KTA1504/YG/-X	TRANSISTOR			△ D3901	GBU803	BRIDGE DIODE		
Q3015	KRC104S-X	TRANSISTOR			D3902	1SS133-T2	SI DIODE		
Q3021	KTC3199/GL/-T	TRANSISTOR			D3903	1SS133-T2	SI DIODE		
Q3022	KTA1267/YG/-T	TRANSISTOR			△ D3911	GBU803	BRIDGE DIODE		
Q3023	KTA1504/YG/-X	TRANSISTOR			D3921	MTZJ13B-T2	Z DIODE		
Q3024	KTA1504/YG/-X	TRANSISTOR			D3931	MTZJ13B-T2	Z DIODE		
Q3025	KRC104S-X	TRANSISTOR			D3941	MTZJ13B-T2	Z DIODE		
Q3031	KTA1504/YG/-X	TRANSISTOR			△ C1001	QCZ9105-472	C CAPACITOR	4700pF 250V M	
Q3041	KTA1504/YG/-X	TRANSISTOR			C1011	NCB31HK-103X	C CAPACITOR	0.01uF 50V K	
Q3051	KTC3875/YG/-X	TRANSISTOR			C1012	NCB31HK-103X	C CAPACITOR	0.01uF 50V K	
Q3052	KTC3875/YG/-X	TRANSISTOR			C1101	QETN1HM-475Z	E CAPACITOR	4.7uF 50V M	
Q3601	KTA1504/YG/-X	TRANSISTOR			C1102	NCB31HK-103X	C CAPACITOR	0.01uF 50V K	
Q3661	KTC3875/YG/-X	TRANSISTOR			C1103	QETN1HM-475Z	E CAPACITOR	4.7uF 50V M	
Q3662	KRA109S-X	D.TRANSISTOR			C1301	QETN1HM-226Z	E CAPACITOR	22uF 50V M	
Q3801	KTA1271/OY/-T	TRANSISTOR			C1302	QETN1HM-106Z	E CAPACITOR	10uF 50V M	
Q3803	KTC3875/YG/-X	TRANSISTOR			C1303	QETN1EM-476Z	E CAPACITOR	47uF 25V M	
Q3804	KTC3875/YG/-X	TRANSISTOR			C1401	QETN1CM-227Z	E CAPACITOR	220uF 16V M	
Q3811	KRC109S-X	TRANSISTOR			C1402	QETN1HM-475Z	E CAPACITOR	4.7uF 50V M	
Q3821	KTC3875/YG/-X	TRANSISTOR			C3001	QETN1HM-106Z	E CAPACITOR	10uF 50V M	
Q3921	KTC2026/Y/	TRANSISTOR			C3002	QETN1HM-106Z	E CAPACITOR	10uF 50V M	
Q3931	KTC3199/GL/-T	TRANSISTOR			C3011	QTE1H60-226Z	E CAPACITOR	22uF 50V	
					C3012	QTE1H60-226Z	E CAPACITOR	22uF 50V	
					C3013	QETN1EM-107Z	E CAPACITOR	100uF 25V M	
					C3014	NCB31HK-103X	C CAPACITOR	0.01uF 50V K	
					C3015	NCB31HK-103X	C CAPACITOR	0.01uF 50V K	
					C3016	QETN1HM-226Z	E CAPACITOR	22uF 50V M	
					C3021	QTE1H60-226Z	E CAPACITOR	22uF 50V	
					C3022	QTE1H60-226Z	E CAPACITOR	22uF 50V	
					C3023	QETN1EM-107Z	E CAPACITOR	100uF 25V M	
					C3024	NCB31HK-103X	C CAPACITOR	0.01uF 50V K	

△ Symbol No.	Part No.	Part Name	Description	Local	△ Symbol No.	Part No.	Part Name	Description	Local
C3025	NCB31HK-103X	C CAPACITOR	0.01uF 50V K		C3803	NCB31HK-103X	C CAPACITOR	0.01uF 50V K	
C3026	QETN1HM-226Z	E CAPACITOR	22uF 50V M		C3821	NCB31HK-102X	C CAPACITOR	1000pF 50V K	
C3031	QTE1H60-226Z	E CAPACITOR	22uF 50V		C3822	NCB31HK-103X	C CAPACITOR	0.01uF 50V K	
C3032	QTE1H60-226Z	E CAPACITOR	22uF 50V		C3901	QEZO578-828	E CAPACITOR	8200uF 250V M	
C3033	QETN1EM-107Z	E CAPACITOR	100uF 25V M		C3902	QEZO578-828	E CAPACITOR	8200uF 250V M	
C3034	QETN1HM-107Z	E CAPACITOR	100uF 50V M		C3903	NCB31HK-223X	C CAPACITOR	0.022uF 50V K	
C3035	QETN1HM-476Z	E CAPACITOR	47uF 50V M		C3904	NCB31HK-223X	C CAPACITOR	0.022uF 50V K	
C3036	NCB31HK-103X	C CAPACITOR	0.01uF 50V K		C3905	NCB31HK-223X	C CAPACITOR	0.022uF 50V K	
C3037	NCB31HK-103X	C CAPACITOR	0.01uF 50V K		C3911	QETM1HM-338	E CAPACITOR	3300uF 50V M	
C3038	NCB31HK-103X	C CAPACITOR	0.01uF 50V K		C3912	QETM1HM-338	E CAPACITOR	3300uF 50V M	
C3039	QETN1HM-106Z	E CAPACITOR	10uF 50V M		C3913	NCB31HK-473X	C CAPACITOR	0.047uF 50V K	
C3041	QETN1EM-476Z	E CAPACITOR	47uF 25V M		C3914	NCB31HK-473X	C CAPACITOR	0.047uF 50V K	
C3042	NCB31HK-103X	C CAPACITOR	0.01uF 50V K		C3915	NCB31HK-473X	C CAPACITOR	0.047uF 50V K	
C3043	NCB31HK-103X	C CAPACITOR	0.01uF 50V K		C3916	NCB31HK-473X	C CAPACITOR	0.047uF 50V K	
C3101	NCB31HK-221X	C CAPACITOR	220pF 50V K		C3917	NCB31HK-473X	C CAPACITOR	0.047uF 50V K	
C3102	NFV41HJ-471X	MPPS CAPACITOR	470pF 50V J		C3918	NCB31HK-473X	C CAPACITOR	0.047uF 50V K	
C3103	QTE1J60-106Z	E CAPACITOR	10uF 63V		C3921	QETN1EM-476Z	E CAPACITOR	47uF 25V M	
C3104	QTE1J60-106Z	E CAPACITOR	10uF 63V		C3922	QETN1EM-476Z	E CAPACITOR	47uF 25V M	
C3105	NDC31HJ-8R0X	C CAPACITOR	8pF 50V J		C3931	QETN1EM-476Z	E CAPACITOR	47uF 25V M	
C3106	NCB31HK-222X	C CAPACITOR	2200pF 50V K		C3932	QETN1EM-476Z	E CAPACITOR	47uF 25V M	
C3121	QETN1HM-475Z	E CAPACITOR	4.7uF 50V M		C3941	QETN1EM-476Z	E CAPACITOR	47uF 25V M	
C3131	NCB31HK-104X	C CAPACITOR	0.1uF 50V K		C3942	QETN1EM-476Z	E CAPACITOR	47uF 25V M	
C3132	NCB31HK-103X	C CAPACITOR	0.01uF 50V K						
C3201	NCB31HK-221X	C CAPACITOR	220pF 50V K		R1001	QRL01DJ-331X	OMF RESISTOR	330Ω 1W J	
C3202	NFV41HJ-471X	MPPS CAPACITOR	470pF 50V J		R1101	NRSA63J-104X	MG RESISTOR	100kΩ 1/16W J	
C3203	QTE1J60-106Z	E CAPACITOR	10uF 63V		R1102	NRSA63J-104X	MG RESISTOR	100kΩ 1/16W J	
C3204	QTE1J60-106Z	E CAPACITOR	10uF 63V		R1103	NRSA63J-472X	MG RESISTOR	4.7kΩ 1/16W J	
C3205	NDC31HJ-8R0X	C CAPACITOR	8pF 50V J		R1104	NRSA63J-472X	MG RESISTOR	4.7kΩ 1/16W J	
C3206	NCB31HK-222X	C CAPACITOR	2200pF 50V K		R1105	NRSA63J-102X	MG RESISTOR	1kΩ 1/16W J	
C3221	QETN1HM-475Z	E CAPACITOR	4.7uF 50V M		R1106	NRSA63J-102X	MG RESISTOR	1kΩ 1/16W J	
C3231	NCB31HK-104X	C CAPACITOR	0.1uF 50V K		R1107	NRSA63J-103X	MG RESISTOR	10kΩ 1/16W J	
C3232	NCB31HK-103X	C CAPACITOR	0.01uF 50V K		R1108	NRSA63J-223X	MG RESISTOR	22kΩ 1/16W J	
C3301	NCB31HK-221X	C CAPACITOR	220pF 50V K		R1111	NRSA63J-472X	MG RESISTOR	4.7kΩ 1/16W J	
C3302	NFV41HJ-471X	MPPS CAPACITOR	470pF 50V J		R1201	NRSA63J-103X	MG RESISTOR	10kΩ 1/16W J	
C3303	QTE1J60-106Z	E CAPACITOR	10uF 63V		R1202	NRSA63J-123X	MG RESISTOR	12kΩ 1/16W J	
C3304	QTE1J60-106Z	E CAPACITOR	10uF 63V		R1203	NRSA63J-223X	MG RESISTOR	22kΩ 1/16W J	
C3305	NDC31HJ-8R0X	C CAPACITOR	8pF 50V J		R1204	NRSA63J-102X	MG RESISTOR	1kΩ 1/16W J	
C3306	NCB31HK-222X	C CAPACITOR	2200pF 50V K		R1205	NRSA63J-104X	MG RESISTOR	100kΩ 1/16W J	
C3321	QETN1HM-475Z	E CAPACITOR	4.7uF 50V M		R1206	NRSA63J-333X	MG RESISTOR	33kΩ 1/16W J	
C3331	NCB31HK-104X	C CAPACITOR	0.1uF 50V K		R1207	NRSA63J-223X	MG RESISTOR	22kΩ 1/16W J	
C3332	NCB31HK-103X	C CAPACITOR	0.01uF 50V K		R1208	NRSA63J-223X	MG RESISTOR	22kΩ 1/16W J	
C3401	NCB31HK-221X	C CAPACITOR	220pF 50V K		R1209	NRSA63J-223X	MG RESISTOR	22kΩ 1/16W J	
C3402	NFV41HJ-471X	MPPS CAPACITOR	470pF 50V J		R1210	NRSA63J-123X	MG RESISTOR	12kΩ 1/16W J	
C3403	QTE1J60-106Z	E CAPACITOR	10uF 63V		R1211	NRSA63J-123X	MG RESISTOR	12kΩ 1/16W J	
C3404	QTE1J60-106Z	E CAPACITOR	10uF 63V		R1301	NRSA63J-104X	MG RESISTOR	100kΩ 1/16W J	
C3405	NDC31HJ-8R0X	C CAPACITOR	8pF 50V J		R1303	QRE141J-101Y	C RESISTOR	100Ω 1/4W J	
C3406	NCB31HK-222X	C CAPACITOR	2200pF 50V K		R1304	NRSA63J-103X	MG RESISTOR	10kΩ 1/16W J	
C3421	QETN1HM-475Z	E CAPACITOR	4.7uF 50V M		R1305	NRSA63J-103X	MG RESISTOR	10kΩ 1/16W J	
C3431	NCB31HK-104X	C CAPACITOR	0.1uF 50V K		R1306	NRSA63J-104X	MG RESISTOR	100kΩ 1/16W J	
C3432	NCB31HK-103X	C CAPACITOR	0.01uF 50V K		R1307	NRSA63J-103X	MG RESISTOR	10kΩ 1/16W J	
C3601	NCB31HK-221X	C CAPACITOR	220pF 50V K		R1308	NRSA63J-472X	MG RESISTOR	4.7kΩ 1/16W J	
				DD8B,	R1309	NRSA63J-472X	MG RESISTOR	4.7kΩ 1/16W J	
				DD8E,	R1310	NRSA63J-472X	MG RESISTOR	4.7kΩ 1/16W J	
C3602	QFG32AJ-223Z	PP CAPACITOR	0.022uF 100V J	DD8E	R1401	NRSA63J-102X	MG RESISTOR	1kΩ 1/16W J	
				N,DD	R1402	NRSA63J-223X	MG RESISTOR	22kΩ 1/16W J	
				8EV,D	R1403	NRSA63J-753X	MG RESISTOR	75kΩ 1/16W J	
				D8EE	R1404	QRE141J-101Y	C RESISTOR	100Ω 1/4W J	
				DD3B,	R1405	NRSA63J-753X	MG RESISTOR	75kΩ 1/16W J	
				DD3E,	R1406	NRSA63J-223X	MG RESISTOR	22kΩ 1/16W J	
C3602	QFVF1HJ-223Z	MF CAPACITOR	0.022uF 50V J	DD3E	R1407	NRSA63J-102X	MG RESISTOR	1kΩ 1/16W J	
				N,DD	R1408	NRSA63J-224X	MG RESISTOR	220kΩ 1/16W J	
				3EV,D	R1409	NRSA63J-222X	MG RESISTOR	2.2kΩ 1/16W J	
				D3EE	R1410	NRSA63J-332X	MG RESISTOR	3.3kΩ 1/16W J	
C3603	QTE1J60-106Z	E CAPACITOR	10uF 63V		R1411	NRSA63J-332X	MG RESISTOR	3.3kΩ 1/16W J	
C3604	QTE1V60-336Z	E CAPACITOR	33uF 35V		R1412	NRSA63J-223X	MG RESISTOR	22kΩ 1/16W J	
C3605	NDC31HJ-3R0X	C CAPACITOR	3pF 50V J		R1413	NRSA63J-103X	MG RESISTOR	10kΩ 1/16W J	
C3606	NDC31HJ-3R0X	C CAPACITOR	3pF 50V J		R3001	NRSA63J-103X	MG RESISTOR	10kΩ 1/16W J	
C3621	QETN1HM-475Z	E CAPACITOR	4.7uF 50V M		R3002	NRSA63J-472X	MG RESISTOR	4.7kΩ 1/16W J	
C3631	NCB31HK-104X	C CAPACITOR	0.1uF 50V K		R3011	QRE141J-101Y	C RESISTOR	100Ω 1/4W J	
C3632	NCB31HK-104X	C CAPACITOR	0.1uF 50V K		R3012	NRSA63J-472X	MG RESISTOR	4.7kΩ 1/16W J	
C3652	QFVF1HJ-473Z	MF CAPACITOR	0.047uF 50V J		R3013	NRSA63J-472X	MG RESISTOR	4.7kΩ 1/16W J	
C3653	QFVF1HJ-473Z	MF CAPACITOR	0.047uF 50V J		R3014	NRSA63J-102X	MG RESISTOR	1kΩ 1/16W J	
C3654	QTE1J60-106Z	E CAPACITOR	10uF 63V		R3015	NRSA63J-224X	MG RESISTOR	220kΩ 1/16W J	
C3661	QETN1HM-105Z	E CAPACITOR	1uF 50V M		R3016	NRSA63J-473X	MG RESISTOR	47kΩ 1/16W J	
C3662	QETN1HM-105Z	E CAPACITOR	1uF 50V M		R3017	NRSA63J-223X	MG RESISTOR	22kΩ 1/16W J	
C3671	QFVF1HJ-104Z	MF CAPACITOR	0.1uF 50V J		R3018	NRSA63J-223X	MG RESISTOR	22kΩ 1/16W J	
C3672	QFVF1HJ-123Z	MF CAPACITOR	0.012uF 50V J		R3019	NRSA63J-104X	MG RESISTOR	100kΩ 1/16W J	
C3801	QETN1HM-106Z	E CAPACITOR	10uF 50V M		R3021	QRE141J-101Y	C RESISTOR	100Ω 1/4W J	
C3802	NCB31HK-103X	C CAPACITOR	0.01uF 50V K						

△ Symbol No.	Part No.	Part Name	Description	Local	△ Symbol No.	Part No.	Part Name	Description	Local
R3022	NRSA63J-472X	MG RESISTOR	4.7kΩ 1/16W J		R3606	QRZ0224-R22	EMIT RESISTOR	0.22Ω	
R3023	NRSA63J-472X	MG RESISTOR	4.7kΩ 1/16W J		R3607	QRZ0224-R22	EMIT RESISTOR	0.22Ω	
R3024	NRSA63J-102X	MG RESISTOR	1kΩ 1/16W J		R3608	QRK126J-4R7X	UNF C RESISTOR	4.7Ω 1/2W J	
R3025	NRSA63J-224X	MG RESISTOR	220kΩ 1/16W J		R3611	NRSA63J-102X	MG RESISTOR	1kΩ 1/16W J	
R3026	NRSA63J-473X	MG RESISTOR	47kΩ 1/16W J		R3612	NRSA63J-153X	MG RESISTOR	15kΩ 1/16W J	
R3027	NRSA63J-223X	MG RESISTOR	22kΩ 1/16W J		R3613	NRSA63J-473X	MG RESISTOR	47kΩ 1/16W J	
R3028	NRSA63J-223X	MG RESISTOR	22kΩ 1/16W J		R3621	NRSA63J-682X	MG RESISTOR	6.8kΩ 1/16W J	
R3029	NRSA63J-104X	MG RESISTOR	100kΩ 1/16W J		R3622	NRSA63J-204X	MG RESISTOR	200kΩ 1/16W J	
R3031	QRK126J-101X	UNF C RESISTOR	100Ω 1/2W J		R3623	NRSA63J-104X	MG RESISTOR	100kΩ 1/16W J	
R3032	NRSA63J-472X	MG RESISTOR	4.7kΩ 1/16W J		R3631	QRE141J-4R7Y	C RESISTOR	4.7Ω 1/4W J	
R3033	NRSA63J-472X	MG RESISTOR	4.7kΩ 1/16W J		R3651	NRSA63J-392X	MG RESISTOR	3.9kΩ 1/16W J	
R3034	QRE141J-103Y	C RESISTOR	10kΩ 1/4W J		R3652	NRSA63J-682X	MG RESISTOR	6.8kΩ 1/16W J	
R3035	NRSA63J-102X	MG RESISTOR	1kΩ 1/16W J		R3654	NRSA63J-564X	MG RESISTOR	560kΩ 1/16W J	
R3036	QRE141J-103Y	C RESISTOR	10kΩ 1/4W J		R3656	NRSA63J-472X	MG RESISTOR	4.7kΩ 1/16W J	
R3041	NRSA63J-273X	MG RESISTOR	27kΩ 1/16W J		R3657	NRSA63J-563X	MG RESISTOR	56kΩ 1/16W J	
R3042	NRSA63J-243X	MG RESISTOR	24kΩ 1/16W J		R3658	NRSA63J-512X	MG RESISTOR	5.1kΩ 1/16W J	
R3043	NRSA63J-472X	MG RESISTOR	4.7kΩ 1/16W J		R3659	NRSA63J-473X	MG RESISTOR	47kΩ 1/16W J	
R3044	NRSA63J-471X	MG RESISTOR	470Ω 1/16W J		R3661	NRSA63J-104X	MG RESISTOR	100kΩ 1/16W J	
R3045	QRE141J-682Y	C RESISTOR	6.8kΩ 1/4W J		R3662	NRSA63J-153X	MG RESISTOR	15kΩ 1/16W J	
R3052	NRSA63J-513X	MG RESISTOR	51kΩ 1/16W J		R3663	NRSA63J-273X	MG RESISTOR	27kΩ 1/16W J	
R3053	NRSA63J-622X	MG RESISTOR	6.2kΩ 1/16W J		R3664	NRSA63J-102X	MG RESISTOR	1kΩ 1/16W J	
R3054	NRSA63J-104X	MG RESISTOR	100kΩ 1/16W J		R3665	NRSA63J-333X	MG RESISTOR	33kΩ 1/16W J	
R3055	QRE141J-332Y	C RESISTOR	3.3kΩ 1/4W J		R3666	NRSA63J-472X	MG RESISTOR	4.7kΩ 1/16W J	
R3056	QRE141J-103Y	C RESISTOR	10kΩ 1/4W J		R3671	NRSA63J-203X	MG RESISTOR	20kΩ 1/16W J	
R3061	QRE141J-470Y	C RESISTOR	47Ω 1/4W J		R3672	NRSA63J-203X	MG RESISTOR	20kΩ 1/16W J	
R3062	NRSA63J-102X	MG RESISTOR	1kΩ 1/16W J		R3803	NRSA63J-104X	MG RESISTOR	100kΩ 1/16W J	
R3063	NRSA63J-104X	MG RESISTOR	100kΩ 1/16W J		R3804	QRE141J-152Y	C RESISTOR	1.5kΩ 1/4W J	
R3071	QRE141J-470Y	C RESISTOR	47Ω 1/4W J		R3805	NRSA63J-471X	MG RESISTOR	470Ω 1/16W J	
R3072	NRSA63J-102X	MG RESISTOR	1kΩ 1/16W J		R3806	NRSA63J-473X	MG RESISTOR	47kΩ 1/16W J	
R3073	NRSA63J-104X	MG RESISTOR	100kΩ 1/16W J		R3807	NRSA63J-681X	MG RESISTOR	680Ω 1/16W J	
R3101	NRSA63J-392X	MG RESISTOR	3.9kΩ 1/16W J		R3808	NRSA63J-332X	MG RESISTOR	3.3kΩ 1/16W J	
R3102	NRSA63J-222X	MG RESISTOR	2.2kΩ 1/16W J		R3809	NRSA63J-751X	MG RESISTOR	750Ω 1/16W J	
R3103	NRSA63J-563X	MG RESISTOR	56kΩ 1/16W J		R3811	NRSA63J-103X	MG RESISTOR	10kΩ 1/16W J	
R3104	NRSA63J-182X	MG RESISTOR	1.8kΩ 1/16W J		R3812	QRE141J-102Y	C RESISTOR	1kΩ 1/4W J	
R3105	NRSA63J-563X	MG RESISTOR	56kΩ 1/16W J		R3821	NRSA63J-473X	MG RESISTOR	47kΩ 1/16W J	
R3106	NRSA63J-332X	MG RESISTOR	3.3kΩ 1/16W J		R3822	NRSA63J-102X	MG RESISTOR	1kΩ 1/16W J	
R3108	QRK126J-4R7X	UNF C RESISTOR	4.7Ω 1/2W J		R3823	NRSA63J-100X	MG RESISTOR	10Ω 1/16W J	
R3121	NRSA63J-682X	MG RESISTOR	6.8kΩ 1/16W J		R3901	QRL027J-471	OMF RESISTOR	470Ω 2W J	
R3122	NRSA63J-184X	MG RESISTOR	180kΩ 1/16W J		R3902	NRSA63J-472X	MG RESISTOR	4.7kΩ 1/16W J	
R3123	NRSA63J-104X	MG RESISTOR	100kΩ 1/16W J		R3903	NRSA63J-472X	MG RESISTOR	4.7kΩ 1/16W J	
R3131	QRE141J-4R7Y	C RESISTOR	4.7Ω 1/4W J		R3921	QRE141J-152Y	C RESISTOR	1.5kΩ 1/4W J	
R3201	NRSA63J-392X	MG RESISTOR	3.9kΩ 1/16W J		R3931	NRSA63J-682X	MG RESISTOR	6.8kΩ 1/16W J	
R3202	NRSA63J-222X	MG RESISTOR	2.2kΩ 1/16W J		R3932	QRE141J-101Y	C RESISTOR	100Ω 1/4W J	
R3203	NRSA63J-563X	MG RESISTOR	56kΩ 1/16W J		R3933	QRE141J-470Y	C RESISTOR	47Ω 1/4W J	
R3204	NRSA63J-182X	MG RESISTOR	1.8kΩ 1/16W J		R3941	NRSA63J-682X	MG RESISTOR	6.8kΩ 1/16W J	
R3205	NRSA63J-563X	MG RESISTOR	56kΩ 1/16W J		R3942	QRE141J-101Y	C RESISTOR	100Ω 1/4W J	
R3206	NRSA63J-332X	MG RESISTOR	3.3kΩ 1/16W J		L3101	QQLZ041-R45	COIL	0.45uH	
R3208	QRK126J-4R7X	UNF C RESISTOR	4.7Ω 1/2W J		L3131	QQLZ041-R45	COIL	0.45uH	
R3221	NRSA63J-682X	MG RESISTOR	6.8kΩ 1/16W J		L3201	QQLZ041-R45	COIL	0.45uH	
R3222	NRSA63J-184X	MG RESISTOR	180kΩ 1/16W J		L3231	QQLZ041-R45	COIL	0.45uH	
R3223	NRSA63J-104X	MG RESISTOR	100kΩ 1/16W J		L3301	QQLZ041-R45	COIL	0.45uH	
R3231	QRE141J-4R7Y	C RESISTOR	4.7Ω 1/4W J		L3331	QQLZ041-R45	COIL	0.45uH	
R3301	NRSA63J-392X	MG RESISTOR	3.9kΩ 1/16W J		L3401	QQLZ041-R45	COIL	0.45uH	
R3302	NRSA63J-222X	MG RESISTOR	2.2kΩ 1/16W J		L3431	QQLZ041-R45	COIL	0.45uH	
R3303	NRSA63J-563X	MG RESISTOR	56kΩ 1/16W J		L3601	QQLZ040-1R0	COIL	1uH	
R3304	NRSA63J-182X	MG RESISTOR	1.8kΩ 1/16W J		△ CN101	QGA7901C1-02	CONNECTOR	W-B (1-2)	
R3305	NRSA63J-563X	MG RESISTOR	56kΩ 1/16W J		△ CN102	QGA7901C1-02	CONNECTOR	W-B (1-2)	
R3306	NRSA63J-332X	MG RESISTOR	3.3kΩ 1/16W J		△ CN105	QGB2510K2-16	CONNECTOR	B-B (1-16)	
R3308	QRK126J-4R7X	UNF C RESISTOR	4.7Ω 1/2W J		CN301	QGA3901C1-04	CONNECTOR	W-B (1-4)	
R3321	NRSA63J-682X	MG RESISTOR	6.8kΩ 1/16W J		CN302	QGA3901C1-05	CONNECTOR	W-B (1-5)	
R3322	NRSA63J-184X	MG RESISTOR	180kΩ 1/16W J		CN303	QGA2501C1-02	CONNECTOR	W-B (1-2)	
R3323	NRSA63J-104X	MG RESISTOR	100kΩ 1/16W J		CN304	QGB2510J1-16	CONNECTOR	B-B (1-16)	
R3331	QRE141J-4R7Y	C RESISTOR	4.7Ω 1/4W J		EP101	LV43391-001A	BLACKET		
R3401	NRSA63J-392X	MG RESISTOR	3.9kΩ 1/16W J		EP102	LV43391-001A	BLACKET		
R3402	NRSA63J-222X	MG RESISTOR	2.2kΩ 1/16W J		EP301	QNZ0136-001Z	EARTH PLATE		
R3403	NRSA63J-563X	MG RESISTOR	56kΩ 1/16W J		FC101	QNG0019-001Z	FUSE CLIP		
R3404	NRSA63J-182X	MG RESISTOR	1.8kΩ 1/16W J		FC102	QNG0019-001Z	FUSE CLIP		
R3405	NRSA63J-563X	MG RESISTOR	56kΩ 1/16W J		HS301	E70306-001	HEAT SINK	HS 951	
R3406	NRSA63J-332X	MG RESISTOR	3.3kΩ 1/16W J		J3001	QND0118-001	DIN CONNECTOR		
R3408	QRK126J-4R7X	UNF C RESISTOR	4.7Ω 1/2W J		J3002	QNB0157-003	SPEAKER TERMINA		
R3421	NRSA63J-682X	MG RESISTOR	6.8kΩ 1/16W J		△ RY101	QSK0142-001	RELAY		
R3422	NRSA63J-184X	MG RESISTOR	180kΩ 1/16W J		RY301	QSK0142-001	RELAY		
R3423	NRSA63J-104X	MG RESISTOR	100kΩ 1/16W J		TH301	QAD0146-103	N THERMISTOR	10kΩ	
R3431	QRE141J-4R7Y	C RESISTOR	4.7Ω 1/4W J		△ W902	WJK0123-003A-E	WIRE ASSY		
R3601	NRSA63J-153X	MG RESISTOR	15kΩ 1/16W J		WC101	QZW0112-001	WIRE CLAMP		
R3603	NRSA63J-563X	MG RESISTOR	56kΩ 1/16W J		WC102	QZW0112-001	WIRE CLAMP		
R3604	NRSA63J-182X	MG RESISTOR	1.8kΩ 1/16W J						
R3605	NRSA63J-563X	MG RESISTOR	56kΩ 1/16W J						

Symbol No.	Part No.	Part Name	Description	Local
WC103	QZW0112-001	WIRE CLAMP		
WC301	QZW0112-001	WIRE CLAMP		
WC302	QZW0112-001	WIRE CLAMP		

Connector board

Block No. [0][5]

Symbol No.	Part No.	Part Name	Description	Local
IC201	LA6502-X	IC		
IC301	ES8381FCC	IC		
IC302	MM1701EH-X	IC		
IC305	MM1663DH-X	IC		
IC306	MM1565AF-X	IC		
IC309	TC74VHC574FT-X	IC		
IC310	TC74VHC574FT-X	IC		
IC311	TC74LVX138FT-X	IC(DIGITAL)		
IC312	SN74LVC1G125V-X	IC		
IC453	S-80830CNNB-G-W	IC		
IC505	K4S281632F-UC60	IC(DIGITAL)		
IC505	or K4S281632I-UC60	IC(DIGITAL)		
IC509	SG16A90TFIR1	IC		
IC510	BR24L16F-W-X	IC(DIGITAL)		
IC701	AK4387ET-X	IC		
IC702	AK4387ET-X	IC		
IC703	AK4387ET-X	IC		
IC704	AK5358ET-X	IC		
IC705	MM1615AN-X	IC		
IC706	NJM4565M-WE	IC		
IC801	SI19030CTU	IC		
IC802	SN74CB3T3306U-X	IC		
IC804	MM3141JN-X	IC		
IC805	MM3143DN-X	IC		
IC806	LD2981ABM50-X	IC		
Q101	KTA1001/Y/-X	TRANSISTOR		
Q101	or 2SB1424/R/-W	TRANSISTOR		
Q103	KTA1001/Y/-X	TRANSISTOR		
Q103	or 2SB1424/R/-W	TRANSISTOR		
Q801	2SB709A/RS/-X	TRANSISTOR		
Q802	2SD601A/RS/-X	TRANSISTOR		
Q803	2SD601A/RS/-X	TRANSISTOR		
D301	UDZW5.6B-X	Z DIODE		
D302	UDZW5.6B-X	Z DIODE		
D305	RB521S-30-X	SB DIODE		
D801	NAF0013-001X	ESD SUPPRESSOR	V	
D802	NAF0013-001X	ESD SUPPRESSOR	V	
D803	BAV99L-X	SI DIODE		
C101	NCF31EZ-104X	C CAPACITOR	0.1uF 25V Z	
C102	NCF31EZ-104X	C CAPACITOR	0.1uF 25V Z	
C103	NCF31EZ-104X	C CAPACITOR	0.1uF 25V Z	
C104	NCF31EZ-104X	C CAPACITOR	0.1uF 25V Z	
C105	NEAF0JM-476X	E CAPACITOR	47uF 6.3V M	
C106	NBE20JM-226X	TA E CAPACITOR	22uF 6.3V M	
C107	NCF31EZ-104X	C CAPACITOR	0.1uF 25V Z	
C108	NBE20JM-226X	TA E CAPACITOR	22uF 6.3V M	
C109	NCB31HK-102X	C CAPACITOR	1000pF 50V K	
C110	NCB31HK-102X	C CAPACITOR	1000pF 50V K	
C111	NEAF0JM-476X	E CAPACITOR	47uF 6.3V M	
C201	NDC31HJ-221X	C CAPACITOR	220pF 50V J	
C202	NDC31HJ-221X	C CAPACITOR	220pF 50V J	
C203	NCB31HK-103X	C CAPACITOR	0.01uF 50V K	
C204	NCF31EZ-104X	C CAPACITOR	0.1uF 25V Z	
C205	NDC31HJ-121X	C CAPACITOR	120pF 50V J	
C208	NCB31HK-561X	C CAPACITOR	560pF 50V K	
C210	NCF31AZ-105X	C CAPACITOR	1uF 10V Z	
C211	NCB31EK-223X	C CAPACITOR	0.022uF 25V K	
C217	NCF31EZ-104X	C CAPACITOR	0.1uF 25V Z	
C251	NCB31AK-474X	C CAPACITOR	0.47uF 10V K	
C253	NCB31HK-561X	C CAPACITOR	560pF 50V K	
C255	NCB31CK-153X	C CAPACITOR	0.015uF 16V K	
C256	NCB31CK-104X	C CAPACITOR	0.1uF 16V K	

Symbol No.	Part No.	Part Name	Description	Local
C257	NCB31HK-822X	C CAPACITOR	8200pF 50V K	
C258	NCB31CK-153X	C CAPACITOR	0.015uF 16V K	
C259	NCB31CK-153X	C CAPACITOR	0.015uF 16V K	
C260	NCB31HK-223X	C CAPACITOR	0.022uF 50V K	
C261	NCB31HK-223X	C CAPACITOR	0.022uF 50V K	
C262	NCB31HK-223X	C CAPACITOR	0.022uF 50V K	
C263	NEAF1CM-107X	E CAPACITOR	100uF 16V M	
C271	NCB31HK-561X	C CAPACITOR	560pF 50V K	
C274	NCB31HK-561X	C CAPACITOR	560pF 50V K	
C301	NDC31HJ-6R0X	C CAPACITOR	6pF 50V J	
C302	NDC31HJ-6R0X	C CAPACITOR	6pF 50V J	
C303	NCF21CZ-225X	C CAPACITOR	2.2uF 16V Z	
C304	NCF21CZ-225X	C CAPACITOR	2.2uF 16V Z	
C305	NCF31EZ-104X	C CAPACITOR	0.1uF 25V Z	
C306	NCF31EZ-104X	C CAPACITOR	0.1uF 25V Z	
C307	NCF31EZ-104X	C CAPACITOR	0.1uF 25V Z	
C308	NCF31EZ-104X	C CAPACITOR	0.1uF 25V Z	
C309	NCF31EZ-104X	C CAPACITOR	0.1uF 25V Z	
C310	NCB31CK-104X	C CAPACITOR	0.1uF 16V K	
C311	NCF31EZ-104X	C CAPACITOR	0.1uF 25V Z	
C312	NCF31EZ-104X	C CAPACITOR	0.1uF 25V Z	
C313	NCF31EZ-104X	C CAPACITOR	0.1uF 25V Z	
C314	NCF31EZ-104X	C CAPACITOR	0.1uF 25V Z	
C315	NCF31EZ-104X	C CAPACITOR	0.1uF 25V Z	
C316	NCF31EZ-104X	C CAPACITOR	0.1uF 25V Z	
C317	NCF31EZ-104X	C CAPACITOR	0.1uF 25V Z	
C318	NCF31EZ-104X	C CAPACITOR	0.1uF 25V Z	
C319	NCF31EZ-104X	C CAPACITOR	0.1uF 25V Z	
C320	NCB31CK-104X	C CAPACITOR	0.1uF 16V K	
C321	NCB31CK-104X	C CAPACITOR	0.1uF 16V K	
C322	NCB31CK-104X	C CAPACITOR	0.1uF 16V K	
C323	NCB31CK-104X	C CAPACITOR	0.1uF 16V K	
C324	NCF31EZ-104X	C CAPACITOR	0.1uF 25V Z	
C325	NCB31HK-681X	C CAPACITOR	680pF 50V K	
C326	NCB31HK-681X	C CAPACITOR	680pF 50V K	
C327	NCF31EZ-104X	C CAPACITOR	0.1uF 25V Z	
C328	NCF31EZ-104X	C CAPACITOR	0.1uF 25V Z	
C329	NEAF0GM-476X	E CAPACITOR	47uF 4V M	
C330	NCB31HK-102X	C CAPACITOR	1000pF 50V K	
C331	NDC31HJ-101X	C CAPACITOR	100pF 50V J	
C332	NCB31EK-223X	C CAPACITOR	0.022uF 25V K	
C333	NDC31HJ-101X	C CAPACITOR	100pF 50V J	
C334	NDC31HJ-101X	C CAPACITOR	100pF 50V J	
C335	NCB31HK-472X	C CAPACITOR	4700pF 50V K	
C336	NCB31HK-102X	C CAPACITOR	1000pF 50V K	
C337	NCB31AK-154X	C CAPACITOR	0.15uF 10V K	
C338	NCF31EZ-104X	C CAPACITOR	0.1uF 25V Z	
C339	NEAF0GM-476X	E CAPACITOR	47uF 4V M	
C340	NCB30JK-105X	C CAPACITOR	1uF 6.3V K	
C341	NEAF0GM-476X	E CAPACITOR	47uF 4V M	
C342	NCF31EZ-104X	C CAPACITOR	0.1uF 25V Z	
C344	NEAF0GM-476X	E CAPACITOR	47uF 4V M	
C345	NCF31EZ-104X	C CAPACITOR	0.1uF 25V Z	
C347	NEAF0GM-476X	E CAPACITOR	47uF 4V M	
C348	NEAF0GM-476X	E CAPACITOR	47uF 4V M	
C349	NCB31HK-271X	C CAPACITOR	270pF 50V K	
C350	NCF31EZ-104X	C CAPACITOR	0.1uF 25V Z	
C351	NCB31HK-103X	C CAPACITOR	0.01uF 50V K	
C353	NDC31HJ-101X	C CAPACITOR	100pF 50V J	
C354	NCF31CZ-474X	C CAPACITOR	0.47uF 16V Z	
C355	NCF31CZ-474X	C CAPACITOR	0.47uF 16V Z	
C356	NCF31EZ-104X	C CAPACITOR	0.1uF 25V Z	
C358	NCB30JK-105X	C CAPACITOR	1uF 6.3V K	
C359	NCB31HK-103X	C CAPACITOR	0.01uF 50V K	
C360	NCF31EZ-104X	C CAPACITOR	0.1uF 25V Z	
C361	NEAF1CM-106X	E CAPACITOR	10uF 16V M	
C362	NCF31EZ-104X	C CAPACITOR	0.1uF 25V Z	
C363	NDC31HJ-390X	C CAPACITOR	39pF 50V J	
C364	NDC31HJ-390X	C CAPACITOR	39pF 50V J	
C371	NCF31AZ-105X	C CAPACITOR	1uF 10V Z	
C372	NCF31EZ-104X	C CAPACITOR	0.1uF 25V Z	
C380	NCB21CK-105X	C CAPACITOR	1uF 16V K	
C381	NCF21CZ-225X	C CAPACITOR	2.2uF 16V Z	
C382	NCB31HK-471X	C CAPACITOR	470pF 50V K	
C383	NCB30JK-105X	C CAPACITOR	1uF 6.3V K	
C390	NCB30JK-105X	C CAPACITOR	1uF 6.3V K	
C391	NCB21AK-225X	C CAPACITOR	2.2uF 10V K	
C392	NCB31HK-471X	C CAPACITOR	470pF 50V K	

△ Symbol No.	Part No.	Part Name	Description	Local	△ Symbol No.	Part No.	Part Name	Description	Local
C393	NEAF0JM-227X	E CAPACITOR	220uF 6.3V M		R114	NRSA63J-2R2X	MG RESISTOR	2.2Ω 1/16W J	
C401	NCF31EZ-104X	C CAPACITOR	0.1uF 25V Z		R115	NRSA63J-102X	MG RESISTOR	1kΩ 1/16W J	
C455	NCB31HK-103X	C CAPACITOR	0.01uF 50V K		R116	NRSA63J-102X	MG RESISTOR	1kΩ 1/16W J	
C551	NCF31EZ-104X	C CAPACITOR	0.1uF 25V Z		R117	NRSA63J-103X	MG RESISTOR	10kΩ 1/16W J	
C554	NCF31EZ-104X	C CAPACITOR	0.1uF 25V Z		R118	NRSA63J-103X	MG RESISTOR	10kΩ 1/16W J	
C555	NCF31EZ-104X	C CAPACITOR	0.1uF 25V Z		R125	NRSA63J-1R0X	MG RESISTOR	1Ω 1/16W J	
C557	NCB31HK-102X	C CAPACITOR	1000pF 50V K		R201	NRSA63J-471X	MG RESISTOR	470Ω 1/16W J	
C558	NEAF0GM-476X	E CAPACITOR	47uF 4V M		R202	NRSA63J-102X	MG RESISTOR	1kΩ 1/16W J	
C559	NCF31EZ-104X	C CAPACITOR	0.1uF 25V Z		R204	NRSA63J-223X	MG RESISTOR	22kΩ 1/16W J	
C560	NCF31EZ-104X	C CAPACITOR	0.1uF 25V Z		R205	NRSA63J-512X	MG RESISTOR	5.1kΩ 1/16W J	
C562	NCB30JK-105X	C CAPACITOR	1uF 6.3V K		R206	NRSA63J-623X	MG RESISTOR	62kΩ 1/16W J	
C563	NCF31EZ-104X	C CAPACITOR	0.1uF 25V Z		R207	NRSA63J-473X	MG RESISTOR	47kΩ 1/16W J	
C564	NCF31EZ-104X	C CAPACITOR	0.1uF 25V Z		R208	NRSA63J-363X	MG RESISTOR	36kΩ 1/16W J	
C701	NCF31EZ-104X	C CAPACITOR	0.1uF 25V Z		R210	NRSA63J-332X	MG RESISTOR	3.3kΩ 1/16W J	
C702	NCF31EZ-104X	C CAPACITOR	0.1uF 25V Z		R213	NRSA63J-103X	MG RESISTOR	10kΩ 1/16W J	
C703	NCF31EZ-104X	C CAPACITOR	0.1uF 25V Z		R214	NRSA63J-822X	MG RESISTOR	8.2kΩ 1/16W J	
C704	NEAF0JM-476X	E CAPACITOR	47uF 6.3V M		R215	NRSA63J-0R0X	MG RESISTOR	0Ω 1/16W J	
C706	NEAF1CM-106X	E CAPACITOR	10uF 16V M		R219	NRSA63J-183X	MG RESISTOR	18kΩ 1/16W J	
C707	NCF31EZ-104X	C CAPACITOR	0.1uF 25V Z		R220	NRSA63J-243X	MG RESISTOR	24kΩ 1/16W J	
C708	NCF31EZ-104X	C CAPACITOR	0.1uF 25V Z		R221	NRSA63J-682X	MG RESISTOR	6.8kΩ 1/16W J	
C709	NCF31EZ-104X	C CAPACITOR	0.1uF 25V Z		R232	NRSA63J-0R0X	MG RESISTOR	0Ω 1/16W J	
C711	NCB31AK-105X	C CAPACITOR	1uF 10V K		R251	NRS125J-R39X	MG RESISTOR	0.39Ω 1/2W J	
C712	NCB31HK-103X	C CAPACITOR	0.01uF 50V K		R254	NRSA63J-223X	MG RESISTOR	22kΩ 1/16W J	
C713	NCB31AK-105X	C CAPACITOR	1uF 10V K		R255	NRSA63J-103X	MG RESISTOR	10kΩ 1/16W J	
C741	NCB30JK-105X	C CAPACITOR	1uF 6.3V K		R259	NRSA63J-103X	MG RESISTOR	10kΩ 1/16W J	
C742	NCB31HK-472X	C CAPACITOR	4700pF 50V K		R281	NRSA63J-563X	MG RESISTOR	56kΩ 1/16W J	
C743	NCF31EZ-104X	C CAPACITOR	0.1uF 25V Z		R282	NRSA63J-153X	MG RESISTOR	15kΩ 1/16W J	
C745	NEAF1CM-106X	E CAPACITOR	10uF 16V M		R283	NRSA63J-512X	MG RESISTOR	5.1kΩ 1/16W J	
C756	NEAF0JM-226X	E CAPACITOR	22uF 6.3V M		R284	NRSA63J-563X	MG RESISTOR	56kΩ 1/16W J	
C757	NEAF0JM-226X	E CAPACITOR	22uF 6.3V M		R285	NRSA63J-153X	MG RESISTOR	15kΩ 1/16W J	
C758	NEAF0JM-226X	E CAPACITOR	22uF 6.3V M		R301	NRSA63J-104X	MG RESISTOR	100kΩ 1/16W J	
C760	NCF31EZ-104X	C CAPACITOR	0.1uF 25V Z		R302	NRSA63J-330X	MG RESISTOR	33Ω 1/16W J	
C761	NCB31HK-471X	C CAPACITOR	470pF 50V K		R303	NRSA63J-221X	MG RESISTOR	220Ω 1/16W J	
C762	NCB31HK-471X	C CAPACITOR	470pF 50V K		R304	NRSA63J-221X	MG RESISTOR	220Ω 1/16W J	
C764	NCB31HK-472X	C CAPACITOR	4700pF 50V K		R305	NRSA63J-221X	MG RESISTOR	220Ω 1/16W J	
C765	NCB31HK-272X	C CAPACITOR	2700pF 50V K		R306	NRSA63J-221X	MG RESISTOR	220Ω 1/16W J	
C766	NEAF1CM-106X	E CAPACITOR	10uF 16V M		R307	NRSA63J-331X	MG RESISTOR	330Ω 1/16W J	
C767	NCB31HK-272X	C CAPACITOR	2700pF 50V K		R310	NRSA63J-221X	MG RESISTOR	220Ω 1/16W J	
C768	NEAF1CM-106X	E CAPACITOR	10uF 16V M		R313	NRSA63J-331X	MG RESISTOR	330Ω 1/16W J	
C801	NEAF0JM-476X	E CAPACITOR	47uF 6.3V M		R317	NRSA63J-151X	MG RESISTOR	150Ω 1/16W J	
C802	NCB30JK-105X	C CAPACITOR	1uF 6.3V K		R318	NRSA63J-151X	MG RESISTOR	150Ω 1/16W J	
C803	NEAF0GM-476X	E CAPACITOR	47uF 4V M		R319	NRSA63J-911X	MG RESISTOR	910Ω 1/16W J	
C804	NCB30JK-105X	C CAPACITOR	1uF 6.3V K		R320	NRSA63J-103X	MG RESISTOR	10kΩ 1/16W J	
C805	NCB30JK-105X	C CAPACITOR	1uF 6.3V K		R321	NRS181J-330X	MG RESISTOR	33Ω 1/8W J	
C806	NEAF0GM-476X	E CAPACITOR	47uF 4V M		R322	NRS181J-330X	MG RESISTOR	33Ω 1/8W J	
C807	NCB30JK-105X	C CAPACITOR	1uF 6.3V K		R323	NRSA63J-153X	MG RESISTOR	15kΩ 1/16W J	
C809	NCF31EZ-104X	C CAPACITOR	0.1uF 25V Z		R324	NRSA63J-153X	MG RESISTOR	15kΩ 1/16W J	
C810	NCF21CZ-225X	C CAPACITOR	2.2uF 16V Z		R325	NRSA63J-0R0X	MG RESISTOR	0Ω 1/16W J	
C811	NCF31EZ-104X	C CAPACITOR	0.1uF 25V Z		R326	NRSA63D-391X	MG RESISTOR	390Ω 1/16W D	
C812	NCF31EZ-104X	C CAPACITOR	0.1uF 25V Z		R327	NRSA63J-683X	MG RESISTOR	68kΩ 1/16W J	
C813	NCF31EZ-104X	C CAPACITOR	0.1uF 25V Z		R328	NRSA63J-220X	MG RESISTOR	22Ω 1/16W J	
C814	NCF21CZ-225X	C CAPACITOR	2.2uF 16V Z		R329	NRSA63J-220X	MG RESISTOR	22Ω 1/16W J	
C815	NCF31EZ-104X	C CAPACITOR	0.1uF 25V Z		R330	NRSA63J-0R0X	MG RESISTOR	0Ω 1/16W J	
C816	NCF21CZ-225X	C CAPACITOR	2.2uF 16V Z		R332	NRSA63J-331X	MG RESISTOR	330Ω 1/16W J	
C817	NCF21CZ-225X	C CAPACITOR	2.2uF 16V Z		R333	NRSA63J-331X	MG RESISTOR	330Ω 1/16W J	
C818	NCF31EZ-104X	C CAPACITOR	0.1uF 25V Z		R334	NRSA63J-151X	MG RESISTOR	150Ω 1/16W J	
C819	NCF31EZ-104X	C CAPACITOR	0.1uF 25V Z		R335	NRSA63J-151X	MG RESISTOR	150Ω 1/16W J	
C820	NCF31EZ-104X	C CAPACITOR	0.1uF 25V Z		R336	NRSA63J-331X	MG RESISTOR	330Ω 1/16W J	
C821	NCF21CZ-225X	C CAPACITOR	2.2uF 16V Z		R337	NRSA63J-331X	MG RESISTOR	330Ω 1/16W J	
C822	NCF31EZ-104X	C CAPACITOR	0.1uF 25V Z		R338	NRSA63J-331X	MG RESISTOR	330Ω 1/16W J	
C823	NCF31EZ-104X	C CAPACITOR	0.1uF 25V Z		R339	NRSA63J-331X	MG RESISTOR	330Ω 1/16W J	
C824	NCF31EZ-104X	C CAPACITOR	0.1uF 25V Z		R340	NRSA63J-473X	MG RESISTOR	47kΩ 1/16W J	
C825	NCF31EZ-104X	C CAPACITOR	0.1uF 25V Z		R342	NRSA63J-221X	MG RESISTOR	220Ω 1/16W J	
C826	NCF31EZ-104X	C CAPACITOR	0.1uF 25V Z		R343	NRSA63J-221X	MG RESISTOR	220Ω 1/16W J	
C827	NCF31EZ-104X	C CAPACITOR	0.1uF 25V Z		R344	NRSA63J-221X	MG RESISTOR	220Ω 1/16W J	
C829	NCF31EZ-104X	C CAPACITOR	0.1uF 25V Z		R345	NRSA63J-221X	MG RESISTOR	220Ω 1/16W J	
C830	NCB30JK-105X	C CAPACITOR	1uF 6.3V K		R349	NRSA63J-221X	MG RESISTOR	220Ω 1/16W J	
C831	NEAF0JM-476X	E CAPACITOR	47uF 6.3V M		R352	NRSA63J-473X	MG RESISTOR	47kΩ 1/16W J	
C832	NCB30JK-105X	C CAPACITOR	1uF 6.3V K		R354	NRSA63J-473X	MG RESISTOR	47kΩ 1/16W J	
C833	NCB30JK-105X	C CAPACITOR	1uF 6.3V K		R355	NRSA63J-221X	MG RESISTOR	220Ω 1/16W J	
					R356	NRSA63J-470X	MG RESISTOR	47Ω 1/16W J	
					R358	NRSA63J-473X	MG RESISTOR	47kΩ 1/16W J	
R101	NRSA63J-101X	MG RESISTOR	100Ω 1/16W J		R359	NRSA63J-121X	MG RESISTOR	120Ω 1/16W J	
R102	NRSA63J-101X	MG RESISTOR	100Ω 1/16W J		R360	NRSA63J-472X	MG RESISTOR	4.7kΩ 1/16W J	
R104	NRSA63J-0R0X	MG RESISTOR	0Ω 1/16W J		R361	NRSA63J-0R0X	MG RESISTOR	0Ω 1/16W J	
R105	NRSA02J-3R9X	MG RESISTOR	3.9Ω 1/10W J		R362	NRSA63J-0R0X	MG RESISTOR	0Ω 1/16W J	
R106	NRSA63J-2R2X	MG RESISTOR	2.2Ω 1/16W J		R363	NRSA63J-0R0X	MG RESISTOR	0Ω 1/16W J	
R112	NRSA63J-0R0X	MG RESISTOR	0Ω 1/16W J		R364	NRSA63J-0R0X	MG RESISTOR	0Ω 1/16W J	
R113	NRSA02J-3R9X	MG RESISTOR	3.9Ω 1/10W J						

△ Symbol No.	Part No.	Part Name	Description	Local	△ Symbol No.	Part No.	Part Name	Description	Local
R365	NRSA63J-0R0X	MG RESISTOR	0Ω 1/16W J		R827	NRSA63J-100X	MG RESISTOR	10Ω 1/16W J	
R366	NRSA63J-0R0X	MG RESISTOR	0Ω 1/16W J		R828	NRSA63J-100X	MG RESISTOR	10Ω 1/16W J	
R367	NRSA63J-0R0X	MG RESISTOR	0Ω 1/16W J		R829	NRSA63J-100X	MG RESISTOR	10Ω 1/16W J	
R368	NRSA63J-122X	MG RESISTOR	1.2kΩ 1/16W J		R830	NRSA63J-100X	MG RESISTOR	10Ω 1/16W J	
R369	NRSA63J-0R0X	MG RESISTOR	0Ω 1/16W J		R831	NRSA63J-100X	MG RESISTOR	10Ω 1/16W J	
R370	NRSA63J-122X	MG RESISTOR	1.2kΩ 1/16W J		R832	NRSA63J-100X	MG RESISTOR	10Ω 1/16W J	
R371	NRSA63J-0R0X	MG RESISTOR	0Ω 1/16W J		R833	NRSA63J-182X	MG RESISTOR	1.8kΩ 1/16W J	
R372	NRSA63J-473X	MG RESISTOR	47kΩ 1/16W J		R834	NRSA63J-182X	MG RESISTOR	1.8kΩ 1/16W J	
R373	NRSA63J-151X	MG RESISTOR	150Ω 1/16W J		R837	NRSA63J-472X	MG RESISTOR	4.7kΩ 1/16W J	
R374	NRSA63J-151X	MG RESISTOR	150Ω 1/16W J		R838	NRSA63J-223X	MG RESISTOR	22kΩ 1/16W J	
R375	NRSA63J-151X	MG RESISTOR	150Ω 1/16W J		R839	NRSA63J-473X	MG RESISTOR	47kΩ 1/16W J	
R376	NRSA63J-151X	MG RESISTOR	150Ω 1/16W J		R840	NRSA63J-472X	MG RESISTOR	4.7kΩ 1/16W J	
R377	NRSA63J-151X	MG RESISTOR	150Ω 1/16W J		R841	NRSA63J-102X	MG RESISTOR	1kΩ 1/16W J	
R378	NRSA63J-151X	MG RESISTOR	150Ω 1/16W J		R842	NRSA63J-472X	MG RESISTOR	4.7kΩ 1/16W J	
R379	NRSA63J-151X	MG RESISTOR	150Ω 1/16W J		R843	NRSA63J-103X	MG RESISTOR	10kΩ 1/16W J	
R380	NRSA63J-151X	MG RESISTOR	150Ω 1/16W J		R844	NRSA63J-102X	MG RESISTOR	1kΩ 1/16W J	
R381	NRSA63J-151X	MG RESISTOR	150Ω 1/16W J		L311	NQL044K-220X	COIL	22uH K	
R382	NRSA63J-102X	MG RESISTOR	1kΩ 1/16W J		L801	NQR0597-001X	EMI FILTER		
R383	NRSA63J-473X	MG RESISTOR	47kΩ 1/16W J		L802	NQR0597-001X	EMI FILTER		
R384	NRSA63J-151X	MG RESISTOR	150Ω 1/16W J		L803	NQR0597-001X	EMI FILTER		
R385	NRSA63J-151X	MG RESISTOR	150Ω 1/16W J		L804	NQR0597-001X	EMI FILTER		
R386	NRSA63J-151X	MG RESISTOR	150Ω 1/16W J		CN1	QGF1016F3-05	CONNECTOR	FFC/FPC (1-5)	
R387	NRSA63J-151X	MG RESISTOR	150Ω 1/16W J		CN101	QGF0523F3-24W	CONNECTOR	FFC/FPC (1-24)	
R388	NRSA63J-151X	MG RESISTOR	150Ω 1/16W J		CN201	QGF1037F3-08W	CONNECTOR	FFC/FPC (1-8)	
R390	NRSA63J-472X	MG RESISTOR	4.7kΩ 1/16W J		CN351	QGF0536C7-45W	CONNECTOR	FFC/FPC (1-45)	
R392	NRSA63J-331X	MG RESISTOR	330Ω 1/16W J		CN701	QGF1016F8-26W	CONNECTOR	FFC/FPC (1-26)	
R394	NRSA63J-473X	MG RESISTOR	47kΩ 1/16W J		CN702	QGF1016C6-18W	CONNECTOR	FFC/FPC (1-18)	
R395	NRSA63J-473X	MG RESISTOR	47kΩ 1/16W J		CN704	QGA2001F6-05X	CONNECTOR	W-B (1-5)	
R400	NRSA63J-0R0X	MG RESISTOR	0Ω 1/16W J		CN801	QGF1016C6-09W	CONNECTOR	FFC/FPC (1-9)	
R402	NRSA63J-472X	MG RESISTOR	4.7kΩ 1/16W J		J801	NNZ0161-001	CONNECTOR		
R403	NRSA63J-472X	MG RESISTOR	4.7kΩ 1/16W J		K101	NQR0502-001X	FERRITE BEADS		
R411	NRSA63J-472X	MG RESISTOR	4.7kΩ 1/16W J		K125	NRSA63J-0R0X	MG RESISTOR	0Ω 1/16W J	
R412	NRSA63J-472X	MG RESISTOR	4.7kΩ 1/16W J		K301	NQR0502-001X	FERRITE BEADS		
R413	NRSA63J-472X	MG RESISTOR	4.7kΩ 1/16W J		K302	NRSA63J-0R0X	MG RESISTOR	0Ω 1/16W J	
R414	NRSA63J-472X	MG RESISTOR	4.7kΩ 1/16W J		K303	NRSA63J-0R0X	MG RESISTOR	0Ω 1/16W J	
R458	NRSA63J-102X	MG RESISTOR	1kΩ 1/16W J		K304	NRSA63J-0R0X	MG RESISTOR	0Ω 1/16W J	
R463	NRSA63J-0R0X	MG RESISTOR	0Ω 1/16W J		K305	NRSA63J-0R0X	MG RESISTOR	0Ω 1/16W J	
R530	NRSA63J-473X	MG RESISTOR	47kΩ 1/16W J		K306	NRSA63J-0R0X	MG RESISTOR	0Ω 1/16W J	
R532	NRSA63J-0R0X	MG RESISTOR	0Ω 1/16W J		K307	NRSA63J-0R0X	MG RESISTOR	0Ω 1/16W J	
R535	NRSA63J-473X	MG RESISTOR	47kΩ 1/16W J		K308	NRSA63J-0R0X	MG RESISTOR	0Ω 1/16W J	
R541	NRSA63J-472X	MG RESISTOR	4.7kΩ 1/16W J		K309	NRSA63J-0R0X	MG RESISTOR	0Ω 1/16W J	
R542	NRSA63J-472X	MG RESISTOR	4.7kΩ 1/16W J		K310	NRSA63J-0R0X	MG RESISTOR	0Ω 1/16W J	
R701	NRSA63J-2R2X	MG RESISTOR	2.2Ω 1/16W J		K317	NQR0022-002X	FERRITE BEADS		
R712	NRSA63J-471X	MG RESISTOR	470Ω 1/16W J		K318	NQR0022-002X	FERRITE BEADS		
R713	NRSA63J-471X	MG RESISTOR	470Ω 1/16W J		K373	NQR0360-002X	COIL		
R714	NRSA63J-101X	MG RESISTOR	100Ω 1/16W J		K374	NQR0360-002X	COIL		
R715	NRSA63J-101X	MG RESISTOR	100Ω 1/16W J		K375	NQR0360-002X	COIL		
R716	NRSA63J-471X	MG RESISTOR	470Ω 1/16W J		K376	NQR0360-002X	COIL		
R718	NRSA63J-473X	MG RESISTOR	47kΩ 1/16W J		K378	NQR0360-002X	COIL		
R721	NRSA63J-471X	MG RESISTOR	470Ω 1/16W J		K379	NQR0360-002X	COIL		
R723	NRSA63J-471X	MG RESISTOR	470Ω 1/16W J		K380	NQR0360-002X	COIL		
R724	NRSA63J-471X	MG RESISTOR	470Ω 1/16W J		K381	NQR0360-002X	COIL		
R725	NRSA63J-471X	MG RESISTOR	470Ω 1/16W J		K384	NQR0360-002X	COIL		
R727	NRSA63J-471X	MG RESISTOR	470Ω 1/16W J		K385	NQR0360-002X	COIL		
R728	NRSA63J-471X	MG RESISTOR	470Ω 1/16W J		K386	NQR0360-002X	COIL		
R730	NRSA63J-331X	MG RESISTOR	330Ω 1/16W J		K387	NQR0360-002X	COIL		
R731	NRSA63J-102X	MG RESISTOR	1kΩ 1/16W J		K388	NQR0360-002X	COIL		
R732	NRSA63J-102X	MG RESISTOR	1kΩ 1/16W J		K501	NQR0502-001X	FERRITE BEADS		
R750	NRSA63J-100X	MG RESISTOR	10Ω 1/16W J		K701	NQR0022-005X	FERRITE BEADS		
R751	NRSA63J-682X	MG RESISTOR	6.8kΩ 1/16W J		K702	NQR0022-005X	FERRITE BEADS		
R752	NRSA63J-682X	MG RESISTOR	6.8kΩ 1/16W J		K703	NQR0022-005X	FERRITE BEADS		
R753	NRSA63J-472X	MG RESISTOR	4.7kΩ 1/16W J		K704	NQR0022-005X	FERRITE BEADS		
R754	NRSA63J-472X	MG RESISTOR	4.7kΩ 1/16W J		K705	NQR0022-005X	FERRITE BEADS		
R755	NRSA63J-152X	MG RESISTOR	1.5kΩ 1/16W J		K706	NQR0022-005X	FERRITE BEADS		
R756	NRSA63J-152X	MG RESISTOR	1.5kΩ 1/16W J		K707	NQR0022-002X	FERRITE BEADS		
R757	NRSA63J-202X	MG RESISTOR	2kΩ 1/16W J		K708	NQR0022-002X	FERRITE BEADS		
R758	NRSA63J-152X	MG RESISTOR	1.5kΩ 1/16W J		K709	NQR0022-002X	FERRITE BEADS		
R759	NRSA63J-152X	MG RESISTOR	1.5kΩ 1/16W J		K710	NQR0022-002X	FERRITE BEADS		
R760	NRSA63J-202X	MG RESISTOR	2kΩ 1/16W J		K711	NQR0022-002X	FERRITE BEADS		
R761	NRSA63J-0R0X	MG RESISTOR	0Ω 1/16W J		K712	NQR0022-005X	FERRITE BEADS		
R762	NRSA63J-5R1X	MG RESISTOR	5.1Ω 1/16W J		K713	NRSA63J-0R0X	MG RESISTOR	0Ω 1/16W J	
R807	NRSA63J-472X	MG RESISTOR	4.7kΩ 1/16W J		K714	NRSA63J-0R0X	MG RESISTOR	0Ω 1/16W J	
R808	NRSA63J-472X	MG RESISTOR	4.7kΩ 1/16W J		K721	NRSA63J-0R0X	MG RESISTOR	0Ω 1/16W J	
R809	NRSA63J-472X	MG RESISTOR	4.7kΩ 1/16W J		K722	NRSA63J-0R0X	MG RESISTOR	0Ω 1/16W J	
R810	NRSA63J-471X	MG RESISTOR	470Ω 1/16W J		K801	NQR0502-001X	FERRITE BEADS		
R811	NRSA63J-472X	MG RESISTOR	4.7kΩ 1/16W J		K802	NQR0502-001X	FERRITE BEADS		
R825	NRSA63J-100X	MG RESISTOR	10Ω 1/16W J						
R826	NRSA63J-100X	MG RESISTOR	10Ω 1/16W J						

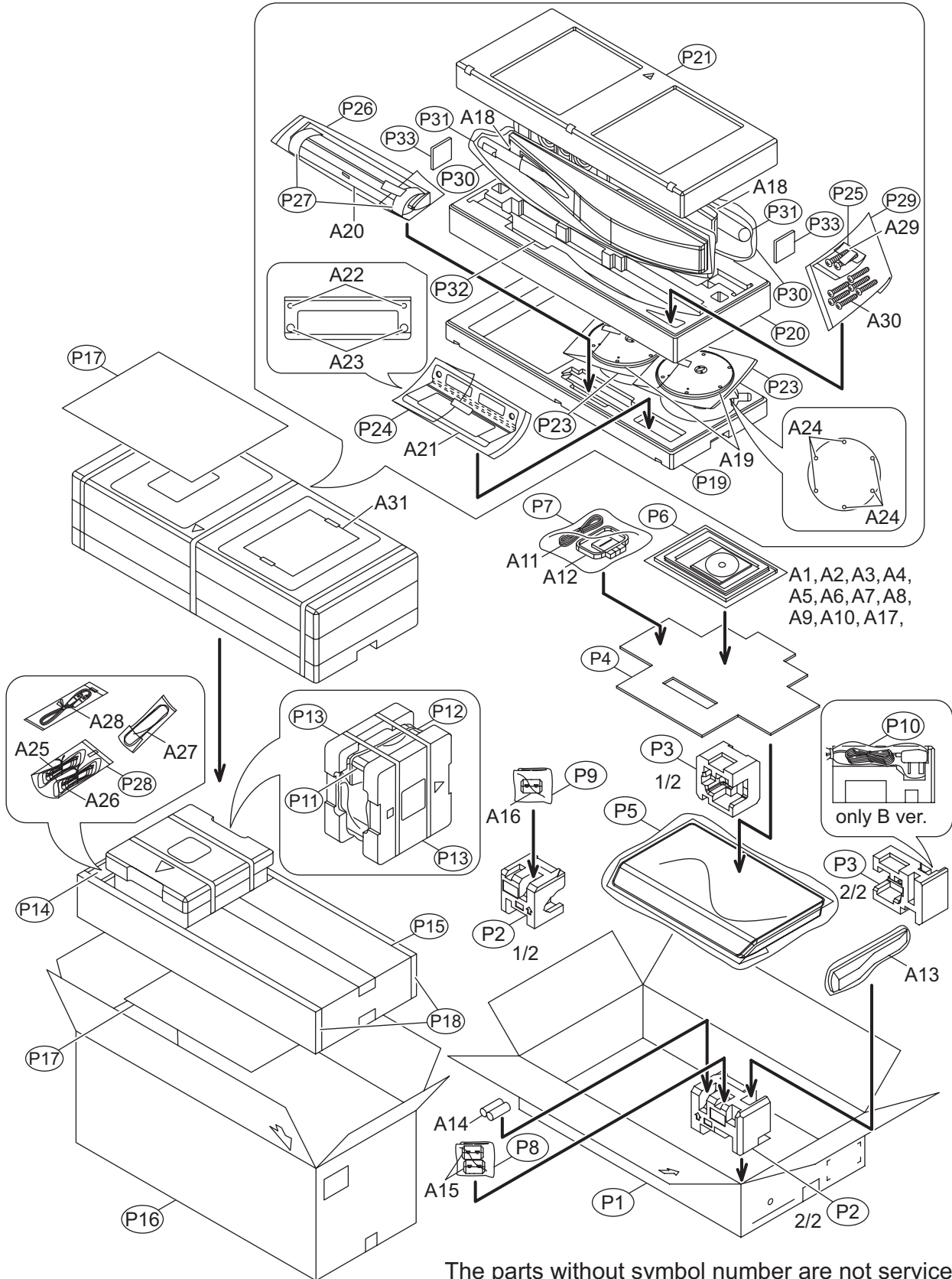
△ Symbol No.	Part No.	Part Name	Description	Local
K803	NQR0502-001X	FERRITE BEADS		
K804	NQR0502-001X	FERRITE BEADS		
K805	NQR0502-001X	FERRITE BEADS		
K812	NQR0502-001X	FERRITE BEADS		
K813	NQR0502-001X	FERRITE BEADS		
RN351	NRZ0034-330W	NET RESISTOR	33Ω 1/32W J x4	
RN352	NRZ0034-330W	NET RESISTOR	33Ω 1/32W J x4	
RN353	NRZ0034-330W	NET RESISTOR	33Ω 1/32W J x4	
RN354	NRZ0034-330W	NET RESISTOR	33Ω 1/32W J x4	
RN355	NRZ0034-330W	NET RESISTOR	33Ω 1/32W J x4	
RN356	NRZ0034-330W	NET RESISTOR	33Ω 1/32W J x4	
RN357	NRZ0034-330W	NET RESISTOR	33Ω 1/32W J x4	
RN551	NRZ0034-330W	NET RESISTOR	33Ω 1/32W J x4	
RN552	NRZ0034-330W	NET RESISTOR	33Ω 1/32W J x4	
RN553	NRZ0034-330W	NET RESISTOR	33Ω 1/32W J x4	
RN554	NRZ0034-330W	NET RESISTOR	33Ω 1/32W J x4	
S1	QSW1074-001	DETECT SWITCH		
TH301	NAD0025-103X	N THERMISTOR	10kΩ	
X301	NAX0741-001X	CRYSTAL	27.000MHz	

Packing materials and accessories parts list

<DD-8B,DD-8E,DD-8EN,DD-8EV,DD-8EE>

Block No. M 3 M M

No additional / supplemental order of WARRANTY CARDS are available.



The parts without symbol number are not service.

Packing and Accessories (DD-8B,DD-8E,DD-8EN,DD-8EV,DD-8EE)

Block No. [M][3][M][M]

△ Symbol No.	Part No.	Part Name	Description	Local
A 1	LVT1546-002A	INST BOOK	ENG	DD8B
A 1	LVT1546-003A	INST BOOK	GER FRE	DD8E
A 1	LVT1546-005A	INST BOOK	SPA POR	DD8EN
A 1	LVT1546-007A	INST BOOK	HUN CZE POL	DD8EV
A 1	LVT1546-008A	INST BOOK	RUS	DD8EE
A 2	LVT1547-002A	INST BOOK	ENG	DD8B
A 2	LVT1547-003A	INST BOOK	GER FRE	DD8E
A 2	LVT1547-005A	INST BOOK	SPA POR	DD8EN
A 2	LVT1547-007A	INST BOOK	HUN CZE POL	DD8EV
A 2	LVT1547-008A	INST BOOK	RUS	DD8EE
A 3	LVT1546-004A	INST BOOK	ITA DUT	DD8E
A 3	LVT1546-006A	INST BOOK	DAN FIN SWE	DD8EN
A 4	LVT1547-004A	INST BOOK	ITA DUT	DD8E
A 4	LVT1547-006A	INST BOOK	DAN FIN SWE	DD8EN
A 5	LVT1649-001A	NOTICE SHEET		
A 6	LVT1650-001B	NOTICE SHEET		
A 7	LVT1674-001A	CAUTION SHEET		DD8B,DD8E
A 7	LVT1674-002A	CAUTION SHEET		DD8EN
A 7	LVT1674-003A	CAUTION SHEET		DD8EV,DD8EE
A 8	LVT1680-001A	CAUTION SHEET		DD8B,DD8E
A 8	LVT1680-002A	CAUTION SHEET		DD8EN
A 8	LVT1380-003A	CAUTION SHEET		DD8EV,DD8EE
A 9	-----	WARRANTY CARD	BT-54030-1	
A 10	QAM0954-001	CD ROM		
A 11	QAL0457-001	ANT.WIRE		
A 12	QAL0014-003	AM LOOP ANT		
A 13	RM-SDD8R	REMOTE CONTROL UNIT		
A 14	-----	BATTERY	1.5V(x2)	
A 15	QQR1607-001	FERRITE CLAMP	(x2)	
A 16	QQR1607-001	FERRITE CLAMP		
A 17	VNA3000-204	REGIST CARD		DD8B
A 18	AB080081-01B	SPEAKER BOX	SPK WITH BOX-F(x2)	
A 19	AB080081-01SB	BASE ASSY	(x2)	
A 20	AB133026-01	SPEAKER BOX	SPK WITH BOX-C	
A 21	LV22347-001A	STAND		
A 22	9000007941	FOOT	(x2)	
A 23	9000005371	FOOT	(x2)	
A 24	9000005371	FOOT	(x6)	
A 25	6200048311	SPK CORD-FR		
A 26	6200048301	SPK CORD-FL		
A 27	QAM0890-001	SPK CORD-C		
A 28	6200044901	DIN CABLE		
A 29	7000751407	SCREW	(x2)	
A 30	7009342503	SCREW	(x6)	
A 31	LV44777-001A	CAUTION SHEET		
P 1	LV36954-010A	CARTON BOX		DD8B,DD8E,DD8EN,DD8EV
P 1	LV36954-011A	CARTON BOX		DD8EE
P 2	LV22337-001A	CUSHION(F)		
P 3	LV22338-001A	CUSHION(R)		
P 4	LV37374-001A	CARTON SHEET		
P 5	QPC06006015PB	POLY BAG	60cm x 60cm	
P 6	QPA02503505PB	POLY BAG	25cm x 35cm	
P 7	QPC01702515PB	POLY BAG	17cm x 25cm	
P 8	QPA00801505	POLY BAG	8cm x 15cm	
P 9	QPA00500805	POLY BAG	5cm x 8cm	
P 10	QPA01503503	POLY BAG	15cm x 35cm	DD8B
P 11	8500063721	MIRROR MAT SHEET		
P 12	8500062781	POLY BAG		
P 13	LV11326-001A	SIDE CUSHION	(x2)	
P 14	LV35834-008A	ACCESSORY BOX		
P 15	LV36825-004A	ACCESSORY BOX		
P 16	LV35831-0B5A	PACKING CASE		
P 17	LV37292-001A	PARTITION	(x2)	
P 18	LV37293-001A	PARTITION	(x2)	
P 19	LV11315-001A	CUSHION A		
P 20	LV11315-002A	CUSHION B		
P 21	LV11315-003A	CUSHION C		
P 23	8500063141	MIRROR MAT BAG	(x2)	
P 24	8500062751	POLY BAG		
P 25	8500062761	POLY BAG		
P 26	8500063131	MIRROR MAT BAG		
P 27	8500065061	NYLON SHEET	(x2)	
P 28	8500062101	POLY BAG		
P 29	8500047151	POLY BAG		

△	Symbol No.	Part No.	Part Name	Description	Local
	P 30	8500065321	POLY BAG	(x2)	
	P 31	8500065021	NYLON SHEET	(x2)	
	P 32	LV37294-001A	MIRROR MAT SHEET	(x2)	
	P 33	LV44702-001A	PARTITION	(x2)	

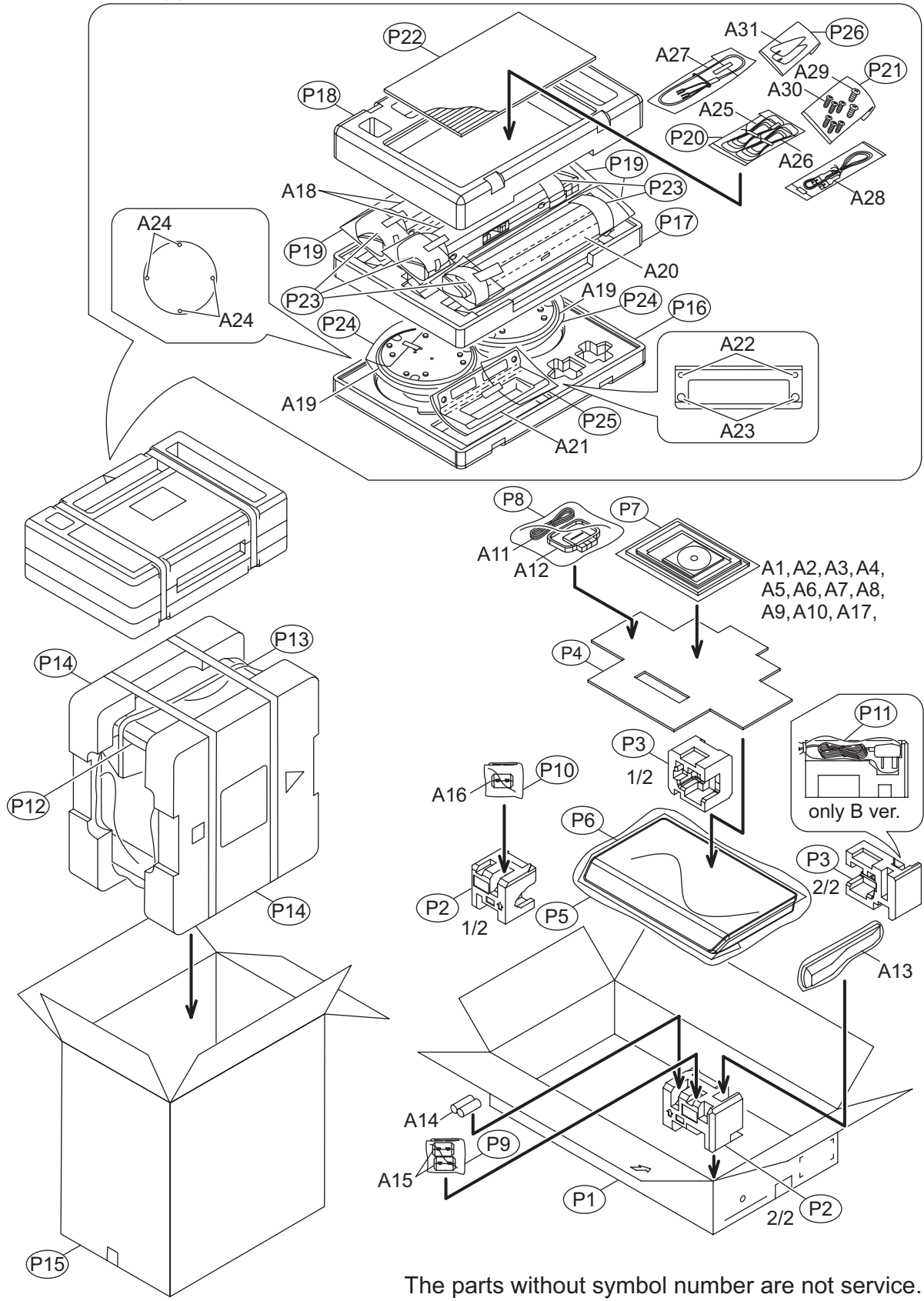
<MEMO>

Packing materials and accessories parts list

< DD-3B,DD-3E,DD-3EN,DD-3EV,DD-3EE >

Block No. M 4 M M

No additional / supplemental order of WARRANTY CARDS are available.



Packing and Accessories (DD-3B,DD-3E,DD-3EN,DD-3EV,DD-3EE)

Block No. [M][4][M][M]

△ Symbol No.	Part No.	Part Name	Description	Local
A 1	LVT1546-002A	INST BOOK	ENG	DD3B
A 1	LVT1546-003A	INST BOOK	GER FRE	DD3E
A 1	LVT1546-005A	INST BOOK	SPA POR	DD3EN
A 1	LVT1546-007A	INST BOOK	HUN CZE POL	DD3EV
A 1	LVT1546-008A	INST BOOK	RUS	DD3EE
A 2	LVT1547-002A	INST BOOK	ENG	DD3B
A 2	LVT1547-003A	INST BOOK	GER FRE	DD3E
A 2	LVT1547-005A	INST BOOK	SPA POR	DD3EN
A 2	LVT1547-007A	INST BOOK	HUN CZE POL	DD3EV
A 2	LVT1547-008A	INST BOOK	RUS	DD3EE
A 3	LVT1546-004A	INST BOOK	ITA DUT	DD3E
A 3	LVT1546-006A	INST BOOK	DAN FIN SWE	DD3EN
A 4	LVT1547-004A	INST BOOK	ITA DUT	DD3E
A 4	LVT1547-006A	INST BOOK	DAN FIN SWE	DD3EN
A 5	LVT1649-001A	NOTICE SHEET		
A 6	LVT1650-001B	NOTICE SHEET		
A 7	LVT1674-001A	CAUTION SHEET		DD3B,DD3E
A 7	LVT1674-002A	CAUTION SHEET		DD3EN
A 7	LVT1674-003A	CAUTION SHEET		DD3EV,DD3EE
A 8	LVT1680-001A	CAUTION SHEET		DD3B,DD3E
A 8	LVT1680-002A	CAUTION SHEET		DD3EN
A 8	LVT1380-003A	CAUTION SHEET		DD3EV,DD3EE
A 9	-----	WARRANTY CARD	BT-54030-1	
A 10	QAM0954-001	CD ROM		
A 11	QAL0457-001	ANT.WIRE		
A 12	QAL0014-003	AM LOOP ANT		
A 13	RM-SDD8R	REMOTE CONTROL UNIT		
A 14	-----	BATTERY	1.5V(x2)	
A 15	QQR1607-001	FERRITE CLAMP	(x2)	
A 16	QQR1607-001	FERRITE CLAMP		
A 17	VNA3000-204	REGIST CARD		DD3B
A 18	AB133025-01B	SPEAKER BOX	SPK WITH BOX-F(x2)	
A 19	AB133025-01SB	BASE ASSY	(x2)	
A 20	AB133026-01	SPEAKER BOX	SPK WITH BOX-C	
A 21	LV22347-001A	STAND		
A 22	9000007941	FOOT	(x2)	
A 23	9000005371	FOOT	(x2)	
A 24	9000007981	RUBBER FOOT	(x4)	
A 25	6200048611	SPK CORD-FR		
A 26	6200048601	SPK CORD-FL		
A 27	QAM0890-001	SPK CORD-C		
A 28	6200044901	DIN CABLE		
A 29	7000751407	SCREW	(x2)	
A 30	7009341606	SCREW	(x6)	
A 31	9000013401	SHEET	(x2)	
P 1	LV36955-010A	CARTON BOX		DD3B,DD3E,DD3EN,DD3EV
P 1	LV36955-011A	CARTON BOX		DD3EE
P 2	LV22337-001A	CUSHION(F)		
P 3	LV22338-001A	CUSHION(R)		
P 4	LV37374-001A	CARTON SHEET		
P 5	QPC06006015PB	POLY BAG	60cm x 60cm	
P 6	LV42796-006A	SHEET		
P 7	QPA02503505PB	POLY BAG	25cm x 35cm	
P 8	QPC01702515PB	POLY BAG	17cm x 25cm	
P 9	QPA00801505	POLY BAG	8cm x 15cm	
P 10	QPA00500805	POLY BAG	5cm x 8cm	
P 11	QPA01503503	POLY BAG	15cm x 35cm	DD3B
P 12	8500063721	MIRROR MAT SHEET		
P 13	8500062781	POLY BAG		
P 14	LV11326-001A	SIDE CUSHION	(x2)	
P 15	LV35231-048A	PACKING CASE		
P 16	LV22368-001A	CUSHION A		
P 17	LV22368-002A	CUSHION B		
P 18	LV22368-003A	CUSHION C		
P 19	8500063131	MIRROR MAT BAG	(x3)	
P 20	8500062101	POLY BAG		
P 21	8500062761	POLY BAG		
P 22	LV44639-001A	PARTITION		
P 23	8500065061	NYLON SHEET	(x6)	
P 24	8500063121	MIRROR MAT BAG	(x2)	
P 25	8500062751	POLY BAG		
P 26	8500062761	POLY BAG		